

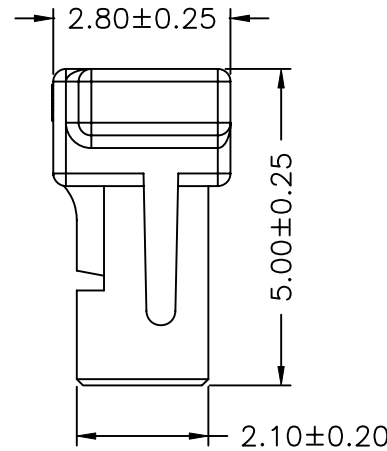
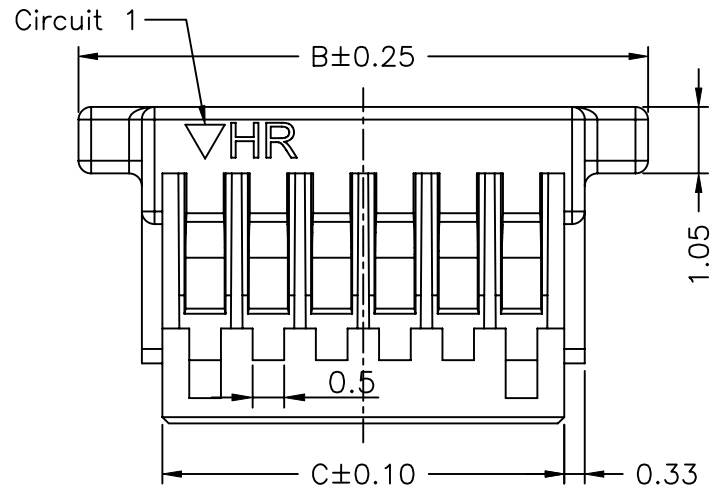
P/N LEGEND

A1001	HB	XP	N	0	X	NP	N	10	G
①	②	③	④	⑤	⑥	⑦	⑧	⑨	⑩

① Series No.  
 ② Connector type: HB=Housing B type  
 ③ No. of circuits  
 ④ N=Halogen Free  
 ⑤ Material: 0=Nylon 66-V0+15%GF  
 ⑥ Color: W=White; B=Black  
 ⑦ Plating code: NP=Non-plating  
 ⑧ Plating code: N=Non-plating  
 ⑨ Option code: 10=With ear  
 ⑩ Packing code: G=Bag

SPECIFICATIONS

Current Rating: 1A AC,DC  
 Voltage Rating: 50V AC,DC  
 Temperature Range: -25°C ~ +85°C  
 Contact Resistance: 20mΩ Max.  
 Insulation Resistance: 100MΩ Min.  
 Withstanding Voltage: 500V AC/minute



Circuit No.	Dimensions			Circuit No.	Dimensions		
	A	B	C		A	B	C
02P	1.00	5.00	2.35	12P	11.00	15.00	12.35
03P	2.00	6.00	3.35	13P	12.00	16.00	13.35
04P	3.00	7.00	4.35	14P	13.00	17.00	14.35
05P	4.00	8.00	5.35	15P	14.00	18.00	15.35
06P	5.00	9.00	6.35	16P	15.00	19.00	16.35
07P	6.00	10.00	7.35	17P	16.00	20.00	17.35
08P	7.00	11.00	8.35	18P	17.00	21.00	18.35
09P	8.00	12.00	9.35	19P	18.00	22.00	19.35
10P	9.00	13.00	10.35	20P	19.00	23.00	20.35
11P	10.00	14.00	11.35	24P	23.00	27.00	24.35

						燦達電子工業股份有限公司 JOINT TECH ELECTRONIC IND. CO., LTD.	UNIT		SHEET		TITLE:	
							mm		1 of 1			
						DRAWN BY 陳錦展 2012.12.12	APPROVED BY		1.00mm PITCH HOUSING WITH PROTRUSIONS		DRAW NO. : A1001HB-XPNXXXXX10X	
							2012.12.12					
						GENERAL TOLERANCE		ANGLE±		REV. A2		
						A2 EN1608250008 2016.08.31 賴永強						X.X±0.25
						A1 EN1305200154 2013.05.20 陳錦展		X.XX±0.15				
						A0 NEW RELEASE 2012.12.12 陳錦展		X.XXX±0.05				
REV.	DESCRIPTION	DATE	NAME									

## X-ON Electronics

Largest Supplier of Electrical and Electronic Components

*Click to view similar products for [Headers & Wire Housings](#) category:*

*Click to view products by [Joint Tech](#) manufacturer:*

Other Similar products are found below :

[57102-F02-18ULF](#) [58102-G61-06LF](#) [0009485154](#) [009176003701906](#) [0050291907](#) [02.125.8002.8](#) [609-3404](#) [61062-3](#) [622-0430](#) [622-3653LF](#)  
[63453-116](#) [636-1030](#) [636-1427](#) [636-3427](#) [636-4007](#) [641938-9](#) [644827-2](#) [65495-038](#) [65692-001LF](#) [65781-018](#) [65781-047](#) [65817-010LF](#)  
[65817-015LF](#) [66207-023LF](#) [67016-026LF](#) [67095-007LF](#) [68631-112](#) [68645-018](#) [68648-049](#) [699319-000](#) [70.362.1628.0](#) [70-4210](#) [70-4226B](#)  
[70-4853B](#) [707-5020](#) [707-5028](#) [71.350.2428.0](#) [71961-016LF](#) [733-134](#) [754199-000](#) [760-3052](#) [787-8014-00](#) [FCN-367T-T012/H](#) [80.063.4001.1](#)  
[800-90-010-10-002000](#) [801-43-002-10-013000](#) [801-43-006-10-002000](#) [803-41-018-10-001000](#) [803-43-014-20-001000](#) [803-43-024-10-001000](#)