

P/N LEGEND

①	Series No.	A1007	WR-S-XP	④
②	Connector type:	WR=Right angle		
③	Mounting type:	S=SMT without boss		
④	No. of circuits			

**SPECIFICATIONS**  
 Current Rating: 1A AC,DC  
 Voltage Rating: 100V AC,DC  
 Temperature Range: -25°C ~ +85°C  
 Contact Resistance: 30mΩ Max.  
 Insulation Resistance: 500MΩ Min.  
 Withstanding Voltage: 500V AC/minute  
 Shell: Phosphor Bronze/Tin-plated  
 Pin: Phosphor Bronze/Contacts/Gold-plated  
 3u" and Solder tabs/Gold-flash  
 Material: LCP,U194V-0  
 Color: Natural(Beige)

PART NO.	Dimensions		
	A	B	C
A1007WR-S-08P	7.00	11.55	11.95
A1007WR-S-14P	13.00	17.55	17.95
A1007WR-S-20P	19.00	23.55	23.95
A1007WR-S-30P	29.00	33.55	33.95

REV.	DESCRIPTION	DATE	NAME	REV.	DESCRIPTION	DATE	NAME
B5	EN1705150001	2017.03.15	周傑堯	B5	EN1705150001	2017.03.15	周傑堯
B4	EN1504150001	2015.04.15	黃振奇	B4	EN1504150001	2015.04.15	黃振奇
B3	EN1209030291	2012.11.13	陳錦慶	B3	EN1209030291	2012.11.13	陳錦慶
B2	EN1203230081	2012.05.04	程夢燕	B2	EN1203230081	2012.05.04	程夢燕

UNIT	SCALE	SHEET	TITLE:
mm	1 : 1	1 of 2	1.00mm PITCH 90° WAFER-SMT TYPE

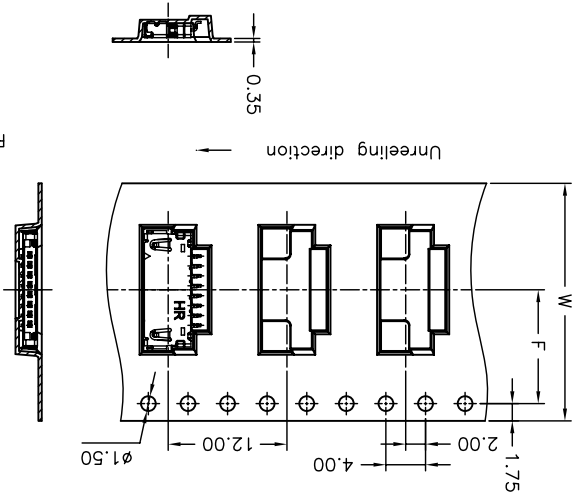
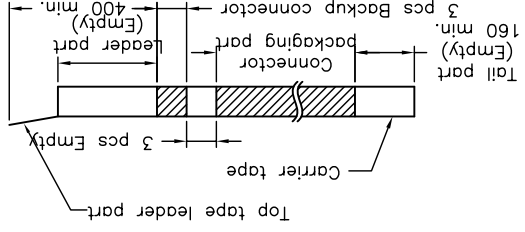
  

DRAWN BY	APPROVED BY	DATE	GENERAL TOLERANCE	ANGLE	DRAW NO.:
	黃正一	2003.04.22	X.XX±0.25	X.XX±0.15	A1007WR-S-XP
			X.XX±0.05		

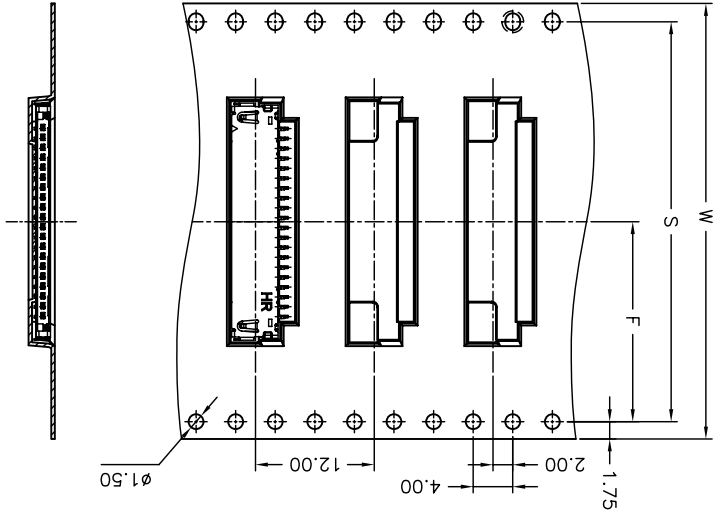
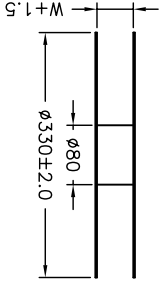
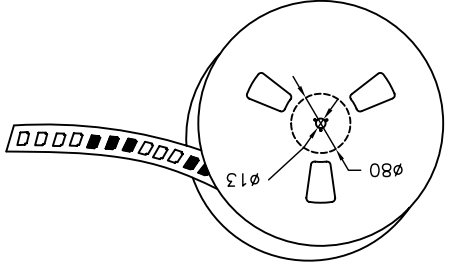
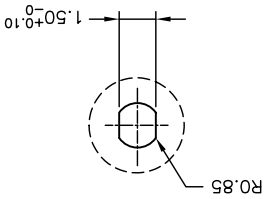
燦達電子工業股份有限公司  
 JOINT TECH ELECTRONIC IND. CO., LTD.



Number of Contacts	WFO.3	FEO.1	SFO.1	Q'ty/Reel
08P	24	11.50	2,000	
14P	32	14.20	2,000	
20P	44	20.20	2,000	
30P	56	26.20	2,000	



08 contacts



14~30 contacts

REV.	DESCRIPTION	DATE	NAME	X.XXX±0.05	ANGLE	DRAWN BY	APPROVED BY	UNIT	SCALE	SHEET	TITLE:
B5	EN1705150001	2017.05.15	周傑亮	X.XX±0.15	2008.09.17	歐陽小強	謝瑞清	mm	1 : 1	2 of 2	1.00mm PITCH
B4	EN1504150001	2015.04.15	黃煥奇	X.XX±0.25	2008.09.17	歐陽小強	謝瑞清				90° WAFER-SMT TYPE
B3	EN1209030291	2012.11.14	陳錦慶								TAPING SPEC.
B2	EN1203230081	2012.05.04	楊峰								
B1											

DRAW NO.: A1007WR-S-XP  
REV. B5

燦達電子工業股份有限公司  
JOINT TECH ELECTRONIC IND. CO., LTD.

## X-ON Electronics

Largest Supplier of Electrical and Electronic Components

*Click to view similar products for [Headers & Wire Housings](#) category:*

*Click to view products by [Joint Tech](#) manufacturer:*

Other Similar products are found below :

[95000-104TRLF](#) [10135584-644402LF](#) [DF62W-EP2022PCA](#) [95000-106TRLF](#) [DF62W-2022SCA](#) [DF62W-EP2022PC](#) [2203348](#) [DF62W-2022SC](#) [1084018](#) [1029039](#) [1084017](#) [802-10-012-10-002000](#) [1112640](#) [1112639](#) [891-007-9SS-BST1T](#) [000-34000](#) [0008550134](#) [0009482033](#) [0009507031](#) [57102-F02-18ULF](#) [57102-S06-03LF](#) [57202-S52-04LF](#) [PCN6-15S-2.5E](#) [0039019024](#) [58102-G61-06LF](#) [582553-1](#) [0009485154](#) [0009508121](#) [0022285053](#) [0050291907](#) [018731A](#) [LY20-4P-DT1-P1E-BR](#) [02.125.8002.8](#) [60101931](#) [60598-1 \(Cut Strip\)](#) [M1625-3R/100](#) [61062-3](#) [61082-181009](#) [CSU011177004](#) [636-1427](#) [638009-1](#) [641938-9](#) [641991-4](#) [644168-1](#) [644827-2](#) [647662-1](#) [65039-019ELF](#) [65692-001LF](#) [65781-018](#) [65781-047](#)