

REV. A3	DRAW NO. : A1024WRA-S-XPXXXXXXXXXX	ANGLE	X.XX±0.05	NAME	DATE	DESCRIPTION	REV.
		GENERAL TOLERANCE	X.XX±0.15	陳敏	2011.04.12	NEW RELEASE	A0
		APPROVED BY	X.X±0.25	陳敏	2012.03.20	EN1203070048	A1
		陳敏		廖騰鳳	2014.09.24	EN149050002	A2
		陳敏		劉建芳	2016.06.12	EN1606120004	A3
		UNIT	mm				
		SCALE	1 : 1				
		SHEET	1 of 2				


燦達電子工業股份有限公司
 JOINT TECH ELECTRONIC IND. CO., LTD.
 TITLE: 90° WAFER-SMT TYPE, 1.00mm PITCH

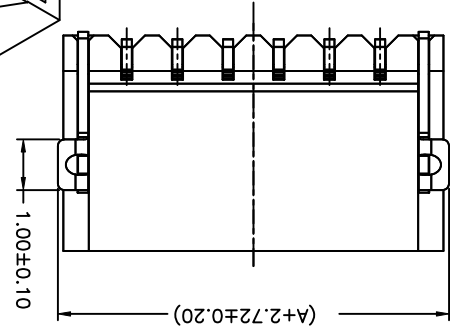
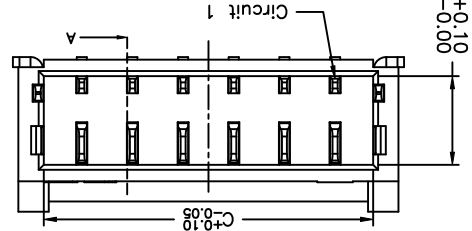
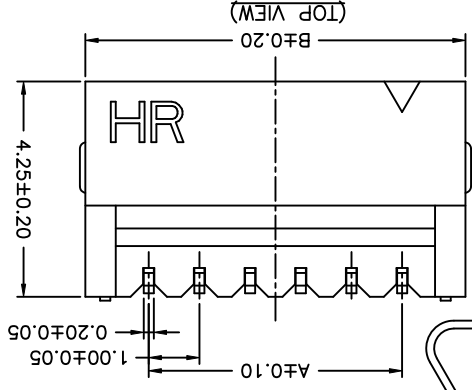
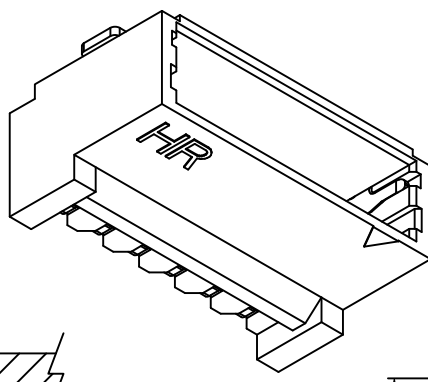
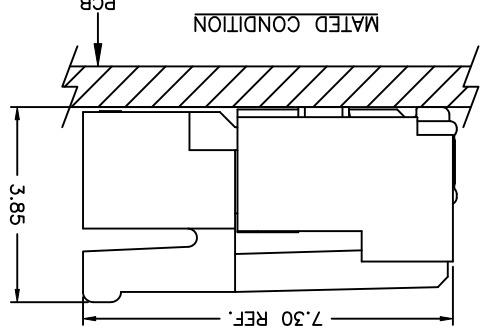
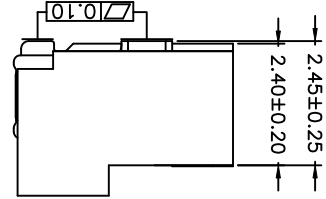
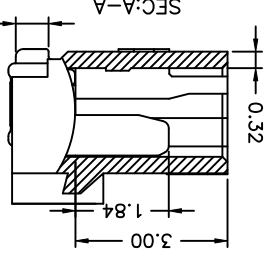
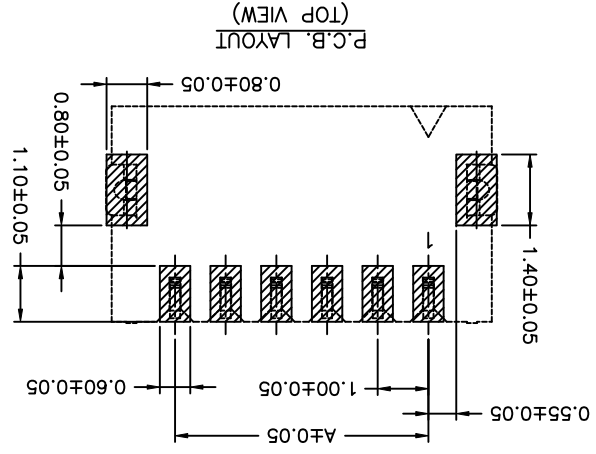
Circuit No.	Dimensions		
	A	B	C
11P	10.00	12.50	11.50
10P	9.00	11.50	10.50
09P	8.00	10.50	9.50
08P	7.00	9.50	8.50
07P	6.00	8.50	7.50
06P	5.00	7.50	6.50
05P	4.00	6.50	5.50
04P	3.00	5.50	4.50
03P	2.00	4.50	3.50
02P	1.00	3.50	2.50
Circuit No.	A	B	C
12P	11.00	13.50	12.50
13P	12.00	14.50	13.50
14P	13.00	15.50	14.50
15P	14.00	16.50	15.50
16P	15.00	17.50	16.50
17P	16.00	18.50	17.50
18P	17.00	19.50	18.50
19P	18.00	20.50	19.50
20P	19.00	21.50	20.50

SPECIFICATIONS
 Current Rating: 1A AC,DC
 Voltage Rating: 125V AC,DC
 Temperature Range: -25°C ~ +85°C
 Contact Resistance: 20mΩ Max.
 Insulation Resistance: 100MΩ Min.
 Withstanding Voltage: 500V AC/minute
 Fin Material: Phosphor Bronze/Tin-plated
 Solder Tabs: Brass/Matte Tin-plated
 Wafer: LCP,UL94V-0
 Color: Natural or Black

P/N LEGEND

①	A1024	WR	S	XP	N	L	N	XX	X	00	R
②											
③											
④											
⑤											
⑥											
⑦											
⑧											
⑨											
⑩											

① Series No.
 ② Connector type: WR=Right angle A Type
 ③ Mounting type: S=SMT without boss
 ④ No. of circuits
 ⑤ N=Halogen Free
 ⑥ Material: L=LCP
 ⑦ Color: N=Natural; B=Black
 ⑧ Plating code for contacts:
 T1=Matte Tin-plated; G1=Gold-flash
 ⑨ Plating code for solder tabs:
 T=Matte Tin-plated; G=Gold-flash
 ⑩ Option code: 00=Standard
 ⑪ Packing code:
 R=Tape & Reel(Without Cap or Mylar)



X-ON Electronics

Largest Supplier of Electrical and Electronic Components

Click to view similar products for [Headers & Wire Housings](#) category:

Click to view products by [Joint Tech](#) manufacturer:

Other Similar products are found below :

[95000-104TRLF](#) [10135584-644402LF](#) [DF62W-EP2022PCA](#) [95000-106TRLF](#) [DF62W-2022SCA](#) [DF62W-EP2022PC](#) [2203348](#) [DF62W-2022SC](#) [1084018](#) [1029039](#) [1084017](#) [802-10-012-10-002000](#) [1112640](#) [1112639](#) [891-007-9SS-BST1T](#) [000-34000](#) [0008550134](#) [0009482033](#) [0009507031](#) [57102-F02-18ULF](#) [57102-S06-03LF](#) [57202-S52-04LF](#) [PCN6-15S-2.5E](#) [0039019024](#) [58102-G61-06LF](#) [582553-1](#) [0009485154](#) [0009508121](#) [0022285053](#) [0050291907](#) [018731A](#) [LY20-4P-DT1-P1E-BR](#) [02.125.8002.8](#) [60101931](#) [60598-1 \(Cut Strip\)](#) [M1625-3R/100](#) [61062-3](#) [61082-181009](#) [CSU011177004](#) [636-1427](#) [638009-1](#) [641938-9](#) [641991-4](#) [644168-1](#) [644827-2](#) [647662-1](#) [65039-019ELF](#) [65692-001LF](#) [65781-018](#) [65781-047](#)