


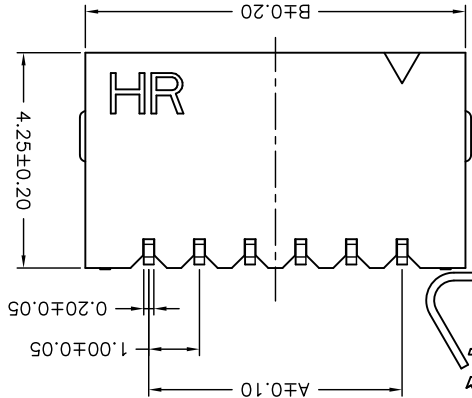
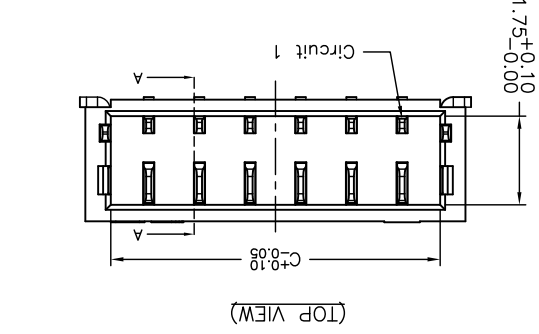
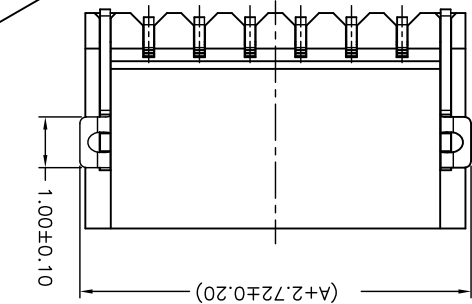
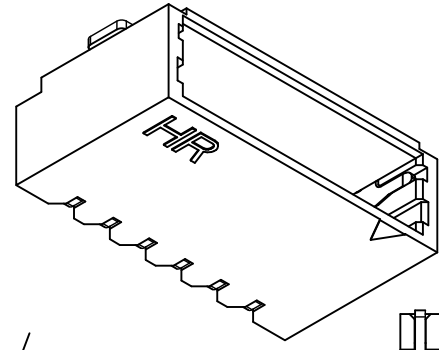
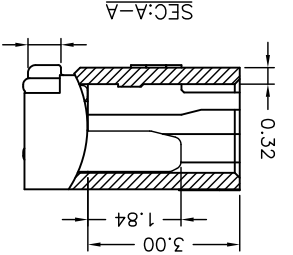
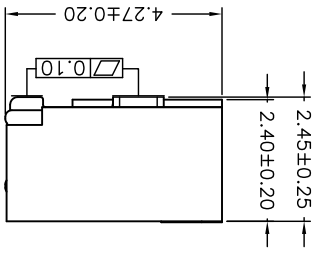
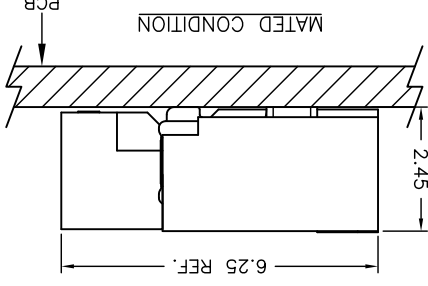
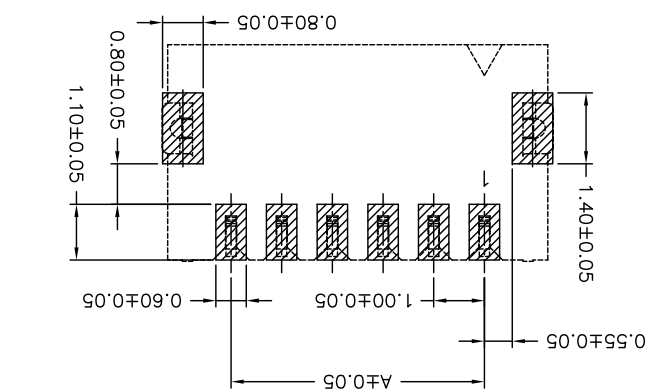
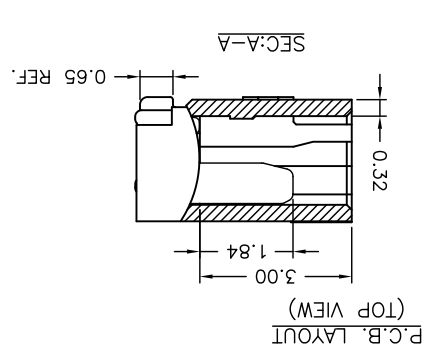
REV.	A1	EN149050002	2014.09.24	唐勝鳳	X.XX±0.25	ANGLE
A0	NEW RELEASE		2011.04.12	陳敏	X.XX±0.15	
					X.XX±0.05	
DRAWN BY		2011.04.12	GENERAL TOLERANCE			
APPROVED BY		2011.04.12	2011.04.12			
UNIT		mm	SCALE			
SHEET		1 of 2	TITLE:			
 燦達電子工業股份有限公司 JOINT TECH ELECTRONIC IND. CO., LTD.						
1.00mm PITCH 90° WAFER-SMT TYPE,						
DRAW NO.:		A1024WR-S-XPXXXXXXXXXX				
REV.	A1					

Circuit No.	Dimensions		
	A	B	C
02P	1.00	3.50	2.50
03P	2.00	4.50	3.50
04P	3.00	5.50	4.50
05P	4.00	6.50	5.50
06P	5.00	7.50	6.50
07P	6.00	8.50	7.50
08P	7.00	9.50	8.50
09P	8.00	10.50	9.50
10P	9.00	11.50	10.50
11P	10.00	12.50	11.50

Circuit No.	Dimensions		
	A	B	C
12P	11.00	13.50	12.50
13P	12.00	14.50	13.50
14P	13.00	15.50	14.50
15P	14.00	16.50	15.50
16P	15.00	17.50	16.50
17P	16.00	18.50	17.50
18P	17.00	19.50	18.50
19P	18.00	20.50	19.50
20P	19.00	21.50	20.50

SPECIFICATIONS
 Current Rating: 1A AC,DC
 Voltage Rating: 50V AC,DC
 Temperature Range: -25°C ~ +85°C
 Contact Resistance: 20mΩ Max.
 Insulation Resistance: 100MΩ Min.
 Withstanding Voltage: 500V AC/minute
 Pin Material: Phosphor Bronze
 Solder Tabs: Brass
 Water: LCP,UL94V-0
 Color: Natural(Beige)

- P/N LEGEND**
- ① Series No.
 - ② Connector type: WR=Right angle
 - ③ Mounting type: S=SMT without boss
 - ④ No. of circuits
 - ⑤ N=Halogen Free
 - ⑥ Material: L=LCP
 - ⑦ Color: N=Natural(Beige)
 - ⑧ Plating code for contacts:
 - ⑨ T1=Matte Tin-plated; G1=Gold-flash
 - ⑩ Plating code for solder tabs:
 - ⑪ T=Matte Tin-plated; G=Gold-flash
 - ⑫ Option code: 00=Standard
 - ⑬ Packing code:
 - ⑭ R=Tape & Reel(Without Cap or Mylar)
- A1024 WR-S-XP L N XX X 00 R
 ① ② ③ ④ ⑤ ⑥ ⑦ ⑧ ⑨ ⑩ ⑪ ⑫ ⑬ ⑭



X-ON Electronics

Largest Supplier of Electrical and Electronic Components

Click to view similar products for [Headers & Wire Housings](#) category:

Click to view products by [Joint Tech](#) manufacturer:

Other Similar products are found below :

[95000-104TRLF](#) [10135584-644402LF](#) [DF62W-EP2022PCA](#) [95000-106TRLF](#) [DF62W-2022SCA](#) [DF62W-EP2022PC](#) [2203348](#) [DF62W-2022SC](#) [1084018](#) [1029039](#) [1084017](#) [802-10-012-10-002000](#) [1112640](#) [1112639](#) [891-007-9SS-BST1T](#) [000-34000](#) [0008550134](#) [0009482033](#) [0009507031](#) [57102-F02-18ULF](#) [57102-S06-03LF](#) [57202-S52-04LF](#) [PCN6-15S-2.5E](#) [0039019024](#) [58102-G61-06LF](#) [582553-1](#) [0009485154](#) [0009508121](#) [0022285053](#) [0050291907](#) [018731A](#) [LY20-4P-DT1-P1E-BR](#) [02.125.8002.8](#) [60101931](#) [60598-1 \(Cut Strip\)](#) [M1625-3R/100](#) [61062-3](#) [61082-181009](#) [CSU011177004](#) [636-1427](#) [638009-1](#) [641938-9](#) [641991-4](#) [644168-1](#) [644827-2](#) [647662-1](#) [65039-019ELF](#) [65692-001LF](#) [65781-018](#) [65781-047](#)