

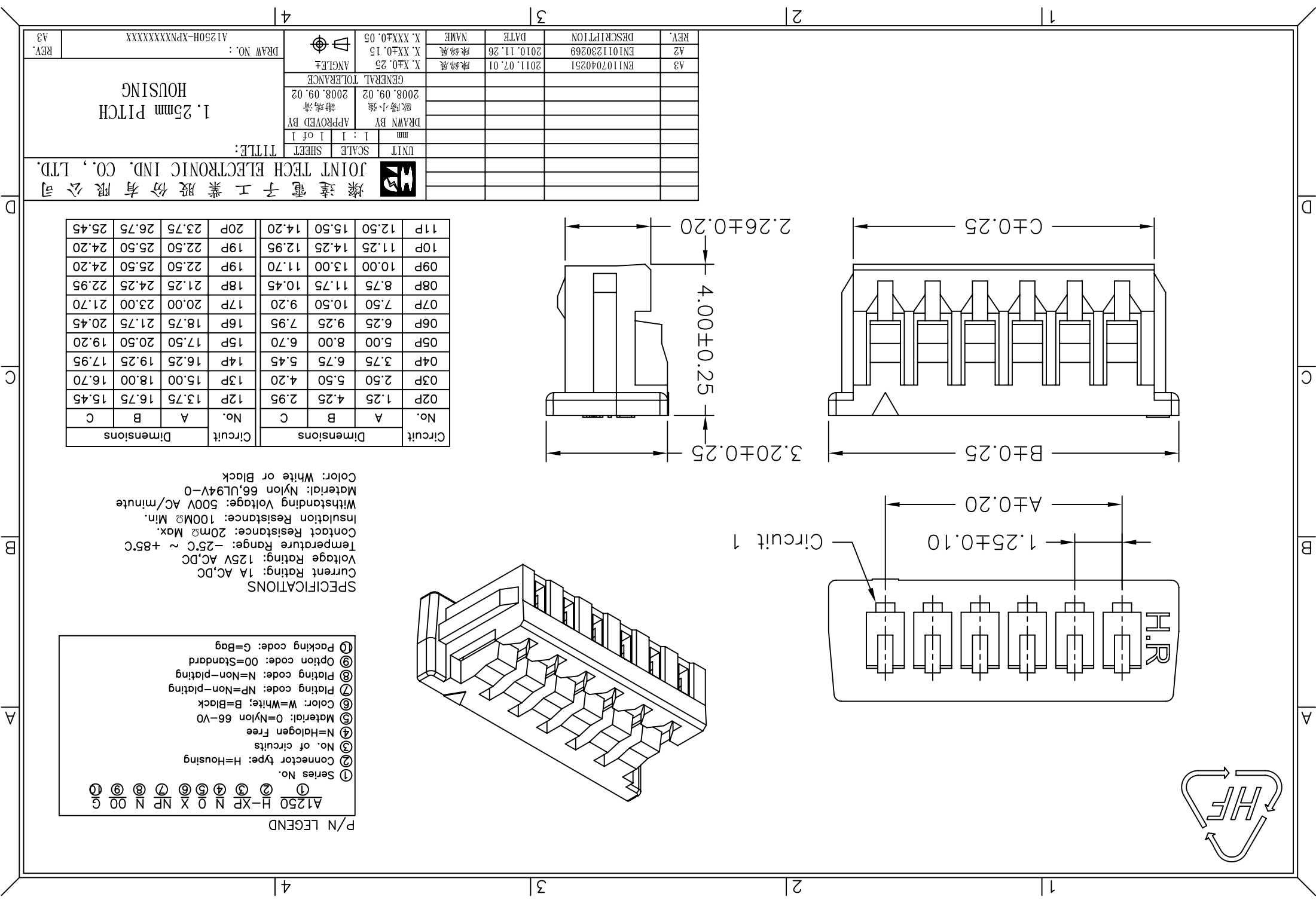
Circuit		Dimensions		Circuit		Dimensions	
No.	A	B	C	No.	A	B	C
02P	1.25	4.25	2.95	12P	13.75	16.75	15.45
03P	2.50	5.50	4.20	13P	15.00	18.00	16.70
04P	3.75	6.75	5.45	14P	16.25	19.25	17.95
05P	5.00	8.00	6.70	15P	17.50	20.50	19.20
06P	6.25	9.25	7.95	16P	18.75	21.75	20.45
07P	7.50	10.50	9.20	17P	20.00	23.00	21.70
08P	8.75	11.75	10.45	18P	21.25	24.25	22.95
09P	10.00	13.00	11.70	19P	22.50	25.50	24.20
10P	11.25	14.25	12.95	19P	22.50	25.50	24.20
11P	12.50	15.50	14.20	20P	23.75	26.75	25.45

**SPECIFICATIONS**  
 Current Rating: 1A AC,DC  
 Voltage Rating: 125V AC,DC  
 Temperature Range: -25°C ~ +85°C  
 Contact Resistance: 20mΩ Max.  
 Insulation Resistance: 100MΩ Min.  
 Withstanding Voltage: 500V AC/minute  
 Material: Nylon 66,UL94V-0  
 Color: White or Black

**P/N LEGEND**

① Series No. A1250 H-XP N 0 X NP N 00 G  
 ② Connector type: H=Housing  
 ③ No. of circuits  
 ④ N=Halogen Free  
 ⑤ Material: 0=Nylon 66-V0  
 ⑥ Color: W=White; B=Black  
 ⑦ Plating code: NP=Non-plating  
 ⑧ Plating code: N=Non-plating  
 ⑨ Option code: 00=Standard  
 ⑩ Packing code: G=Bag

REV.	A3	EN107040251	2011.07.01	陳錦展	X.XX±0.25	ANGLE
A2	EN101230269	2010.11.26	陳錦展	X.XX±0.15	GENERAL TOLERANCE	
DESCRIPTION					2008.09.02	2008.09.02
DATE					謝瑞清	謝瑞清
NAME					APPROVED BY	
					DRAWN BY	
					UNIT	SCALE
					SHEET	
					I : 1	I of 1
					mm	
燦達電子工業股份有限公司 JOINT TECH ELECTRONIC IND. CO., LTD. TITLE: 1.25mm PITCH HOUSING DRAW NO.: A1250H-XPXXXXXXXXXX REV. A3						



## X-ON Electronics

Largest Supplier of Electrical and Electronic Components

*Click to view similar products for [Headers & Wire Housings](#) category:*

*Click to view products by [Joint Tech](#) manufacturer:*

Other Similar products are found below :

[95000-104TRLF](#) [10135584-644402LF](#) [DF62W-EP2022PCA](#) [95000-106TRLF](#) [DF62W-2022SCA](#) [DF62W-EP2022PC](#) [2203348](#) [DF62W-2022SC](#) [1084018](#) [1029039](#) [1084017](#) [802-10-012-10-002000](#) [1112640](#) [1112639](#) [891-007-9SS-BST1T](#) [000-34000](#) [0008550134](#) [0009482033](#) [0009507031](#) [57102-F02-18ULF](#) [57102-S06-03LF](#) [57202-S52-04LF](#) [PCN6-15S-2.5E](#) [0039019024](#) [58102-G61-06LF](#) [582553-1](#) [0009485154](#) [0009508121](#) [0022285053](#) [0050291907](#) [018731A](#) [LY20-4P-DT1-P1E-BR](#) [02.125.8002.8](#) [60101931](#) [60598-1 \(Cut Strip\)](#) [M1625-3R/100](#) [61062-3](#) [61082-181009](#) [CSU011177004](#) [636-1427](#) [638009-1](#) [641938-9](#) [641991-4](#) [644168-1](#) [644827-2](#) [647662-1](#) [65039-019ELF](#) [65692-001LF](#) [65781-018](#) [65781-047](#)