

Ordering code
 A1250 WR-S-XP N L N XX X 00 R
 ① Series No.
 ② Connector type: WR=Right angle
 ③ Mounting type: S=SMT
 ④ No. of circuits
 ⑤ N=Halogen free
 ⑥ Material: L=LCP
 ⑦ Color: N=Natural ; B=Black
 ⑧ Plating code for contacts:
 G1=Gold-flash or T1=Matte Tin-plated
 S4=Gold-plated 10µm on contact area,
 Gold-flash on solder area
 ⑨ Plating code for solder tabs:
 G=Gold-flash or T=Matte Tin-plated
 ⑩ Option code: 00=Standard
 ⑪ Packing code:
 R=Tape & Reel(Without Cap or Mylar)

Current Rating: 1A AC,DC
 Voltage Rating: 125V AC,DC
 Temperature Range: -25°C ~ +85°C
 Contact Resistance: 20mΩ Max.
 Insulation Resistance: 100MΩ Min.
 Withstanding Voltage: 500V AC/minute
 Pin Material: Phosphor Bronze/Tin-plated
 Solder Tabs: Phosphor Bronze/Tin-plated
 Material: LCP,UL94V-0

| Circuit | | Dimensions | |
|---------|-------|------------|-------|
| No. | A | B | C |
| 02P | 1.25 | 7.75 | 3.05 |
| 03P | 2.50 | 9.00 | 4.30 |
| 04P | 3.75 | 10.25 | 5.55 |
| 05P | 5.00 | 11.50 | 6.80 |
| 06P | 6.25 | 12.75 | 8.05 |
| 07P | 7.50 | 14.00 | 9.30 |
| 08P | 8.75 | 15.25 | 10.55 |
| 09P | 10.00 | 16.50 | 11.80 |
| 10P | 11.25 | 17.75 | 13.05 |
| 11P | 12.50 | 19.00 | 14.30 |
| 12P | 13.75 | 20.25 | 15.55 |
| 13P | 15.00 | 21.50 | 16.80 |
| 14P | 16.25 | 22.75 | 18.05 |
| 15P | 17.50 | 24.00 | 19.30 |
| 16P | 18.75 | 25.25 | 20.55 |
| 17P | 20.00 | 26.50 | 21.80 |
| 18P | 21.25 | 27.75 | 23.05 |

| | | | | | |
|--|-------------|------------|------|-------------------|-------------|
| REV. | DESCRIPTION | DATE | NAME | X.XX±0.05 | ANGLE |
| A0 | NEW RELEASE | 2012.12.19 | 周傑亮 | X.XX±0.15 | |
| A1 | EN141110001 | 2014.11.10 | 劉建芳 | X.X±0.25 | |
| A2 | EN170303001 | 2017.03.03 | 周傑亮 | GENERAL TOLERANCE | |
| | | | | 2012.12.19 | 2012.12.19 |
| | | | | 周傑亮 | 周傑亮 |
| | | | | 周傑亮 | 謝瑞清 |
| | | | | DRAWN BY | APPROVED BY |
| | | | | mm | 1 of 2 |
| | | | | UNIT | SHEET |
| | | | | SCALE | |
| | | | | TITLE: | |
| 燦達電子工業股份有限公司 JOINT TECH ELECTRONIC IND. CO., LTD. | | | | | |
| 1.25mm PITCH 90° WAFER-SMT TYPE | | | | | |
| DRAW NO.: A1250WR-S-XPXXXXXXXXXX | | | | | |
| REV. | A2 | | | | |



4

3

2

1

4

3

2

1

D

C

B

A

D

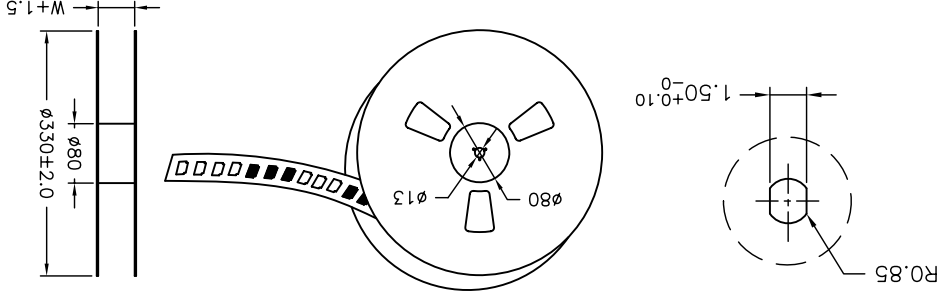
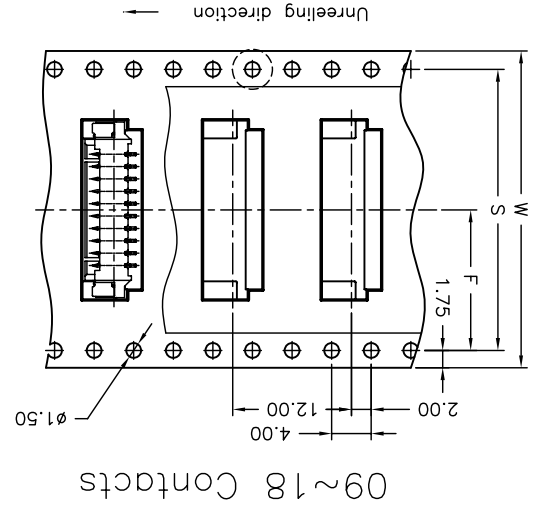
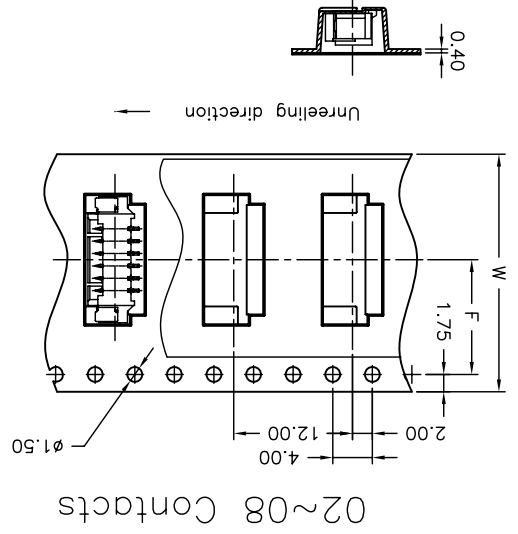
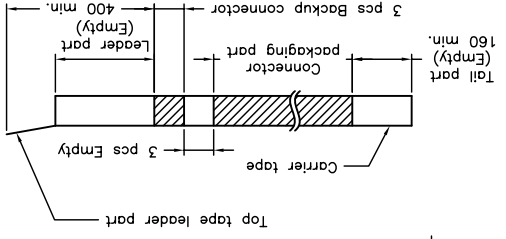
C

B

A



| Number of Contacts | W±0.3 | F±0.1 | S±0.1 | Q'ty/Reel |
|--------------------|-------|-------|-------|-----------|
| 02P | | | | 1,000 |
| 03P | | | | 1,000 |
| 04P | | | | 1,000 |
| 05P | | | | 1,000 |
| 06P | | | | 1,000 |
| 07P | | | | 1,000 |
| 08P | | | | 1,000 |
| 09P | | | | 1,000 |
| 10P | | | | 1,000 |
| 11P | | | | 1,000 |
| 12P | | | | 1,000 |
| 13P | | | | 1,000 |
| 14P | | | | 1,000 |
| 15P | | | | 1,000 |
| 16P | | | | 1,000 |
| 17P | | | | 1,000 |
| 18P | | | | 1,000 |



| REV. | DESCRIPTION | DATE | NAME | DATE | DESCRIPTION |
|------|--------------|------------|------|------|-------------|
| A2 | EN1703030001 | 2017.03.03 | 周傑亮 | | |
| A1 | EN1411100001 | 2014.11.10 | 劉建芬 | | |
| A0 | NEW RELEASE | 2012.12.19 | 周傑亮 | | |

| | | |
|------|-------|--------|
| UNIT | SCALE | SHEET |
| mm | 1 : 1 | 2 of 2 |

| | |
|-------------|------------|
| DRAWN BY | 周傑亮 |
| APPROVED BY | 謝瑞清 |
| DATE | 2012.12.19 |

| | |
|-------------------|-----------|
| GENERAL TOLERANCE | X.XX±0.25 |
| ANGLE | X.XX±0.15 |
| | X.XX±0.05 |

| | |
|-----------|--|
| TITLE: | 1.25mm PITCH 90° WAFER-SMT TYPE TAPING SPEC. |
| DRAW NO.: | A1250WR-S-XPNNXXXXXXXXXX |
| REV. | A2 |

燦達電子工業股份有限公司
JOINT TECH ELECTRONIC IND. CO., LTD.

X-ON Electronics

Largest Supplier of Electrical and Electronic Components

Click to view similar products for [Headers & Wire Housings](#) category:

Click to view products by [Joint Tech](#) manufacturer:

Other Similar products are found below :

[95000-104TRLF](#) [10135584-644402LF](#) [DF62W-EP2022PCA](#) [95000-106TRLF](#) [DF62W-2022SCA](#) [DF62W-EP2022PC](#) [2203348](#) [DF62W-2022SC](#) [1084018](#) [1029039](#) [1084017](#) [802-10-012-10-002000](#) [1112640](#) [1112639](#) [891-007-9SS-BST1T](#) [000-34000](#) [0008550134](#) [0009482033](#) [0009507031](#) [57102-F02-18ULF](#) [57102-S06-03LF](#) [57202-S52-04LF](#) [PCN6-15S-2.5E](#) [0039019024](#) [58102-G61-06LF](#) [582553-1](#) [0009485154](#) [0009508121](#) [0022285053](#) [0050291907](#) [018731A](#) [LY20-4P-DT1-P1E-BR](#) [02.125.8002.8](#) [60101931](#) [60598-1 \(Cut Strip\)](#) [M1625-3R/100](#) [61062-3](#) [61082-181009](#) [CSU011177004](#) [636-1427](#) [638009-1](#) [641938-9](#) [641991-4](#) [644168-1](#) [644827-2](#) [647662-1](#) [65039-019ELF](#) [65692-001LF](#) [65781-018](#) [65781-047](#)