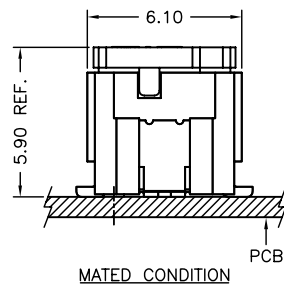
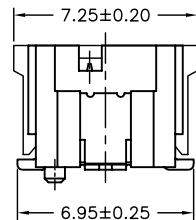
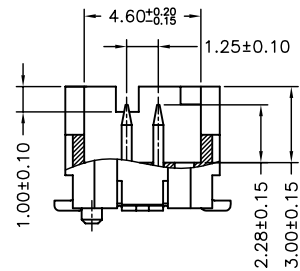
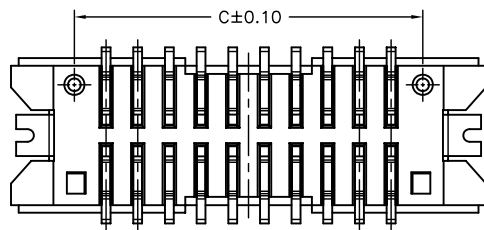
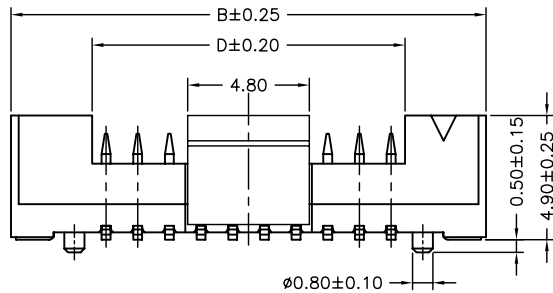


(TOP VIEW)

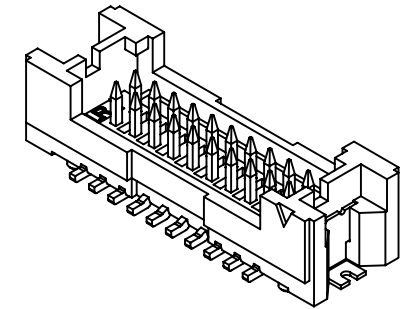


MATED CONDITION

P/N LEGEND

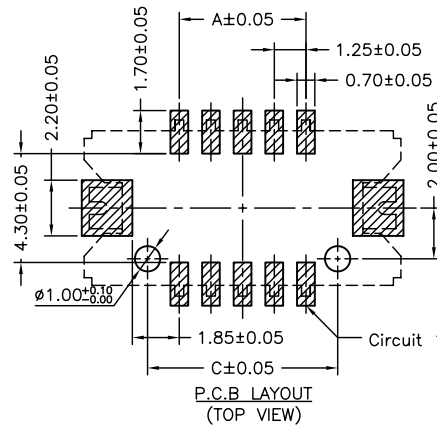
A1252 WV-SF-2XNP XXX

- ① Series No.
- ② Connector type: WV=Vertical
- ③ Mounting type: SF=SMT with boss
- ④ No. of circuits
- ⑤ Option code:
 Blank=Contacts/Gold-flash and Solder tabs/Matte Tin-plated Color: Natural(Beige)
 D01=Contacts/Gold-flash and Solder tabs/Gold-flash Color: Natural(Beige)
 D11=Contacts/Gold-flash and Solder tabs/Gold-flash Color: Natural(Black)
 D31=Contacts/Gold-flash and Solder tabs/Gold-flash Color: 285C(Blue)
 D03=Contacts/Gold-plated 15u" and Solder tabs/Gold-flash Color: Natural(Beige)



SPECIFICATIONS

Current Rating: 1A AC,DC
 Voltage Rating: 150V AC,DC
 Temperature Range: -25°C ~ +85°C
 Contact Resistance: 30mΩ Max.
 Insulation Resistance: 500MΩ Min.
 Withstanding Voltage: 500V AC/minute
 Pin Material: Brass
 Solder Tabs: Brass
 Wafer: Nylon 6T,UL94V-0
 Cap: Nylon 6T,UL94V-0,Natural(Beige)



P.C.B LAYOUT (TOP VIEW)

| Circuit No. | Dimensions | | | |
|-------------|------------|-------|-------|-------|
| | A | B | C | D |
| 2X05P | 5.00 | 12.50 | 7.50 | 6.10 |
| 2X06P | 6.25 | 13.75 | 8.75 | 7.35 |
| 2X07P | 7.50 | 15.00 | 10.00 | 8.60 |
| 2X10P | 11.25 | 18.75 | 13.75 | 12.35 |
| 2X15P | 17.50 | 25.00 | 20.00 | 18.60 |
| 2X17P | 20.00 | 27.50 | 22.50 | 21.10 |
| 2X18P | 21.25 | 28.75 | 23.75 | 22.35 |
| 2X20P | 23.75 | 31.25 | 26.25 | 24.85 |
| 2X21P | 25.00 | 32.50 | 27.50 | 26.10 |
| 2X25P | 30.00 | 37.50 | 32.50 | 31.10 |

| | | | | | |
|-------------------|--------------|------------|-------|--|--------|
| | | | | | |
| | | | | 燦達電子工業股份有限公司 JOINT TECH ELECTRONIC IND. CO., LTD. | |
| | | UNIT | SCALE | SHEET | |
| | | mm | 1 : 1 | 1 of 2 | |
| | | DRAWN BY | | APPROVED BY | |
| | | 李勤 | | 董正一 | |
| | | 2006.05.31 | | 2006.05.31 | |
| GENERAL TOLERANCE | | | | | |
| A5 | EN1405070001 | 2014.05.06 | 周傑亮 | X.X±0.25 | ANGLE± |
| A4 | EN1010070288 | 2011.04.08 | 陳錦展 | X.XX±0.15 | |
| REV. | DESCRIPTION | DATE | NAME | X.XXX±0.05 | |
| | | | | | |
| | | | | TITLE: 1.25mm PITCH 180° DUAL ROW WAFER-SMT TYPE | |
| | | | | DRAW NO.: A1252WV-SF-2XNP | |
| | | | | REV. A5 | |

X-ON Electronics

Largest Supplier of Electrical and Electronic Components

Click to view similar products for [Headers & Wire Housings](#) category:

Click to view products by [Joint Tech](#) manufacturer:

Other Similar products are found below :

[57102-F02-18ULF](#) [58102-G61-06LF](#) [0009485154](#) [009176003701906](#) [0050291907](#) [02.125.8002.8](#) [609-3404](#) [61062-3](#) [622-0430](#) [622-3653LF](#)
[63453-116](#) [636-1030](#) [636-1427](#) [636-3427](#) [636-4007](#) [641938-9](#) [644827-2](#) [65495-038](#) [65692-001LF](#) [65781-018](#) [65781-047](#) [65817-010LF](#)
[65817-015LF](#) [66207-023LF](#) [67016-026LF](#) [67095-007LF](#) [68631-112](#) [68645-018](#) [68648-049](#) [699319-000](#) [70.362.1628.0](#) [70-4210](#) [70-4226B](#)
[70-4853B](#) [707-5020](#) [707-5028](#) [71.350.2428.0](#) [71961-016LF](#) [733-134](#) [754199-000](#) [760-3052](#) [787-8014-00](#) [FCN-367T-T012/H](#) [80.063.4001.1](#)
[800-90-001-10-001000](#) [800-90-010-10-002000](#) [801-43-002-10-013000](#) [801-43-006-10-002000](#) [803-41-018-10-001000](#) [803-43-014-20-](#)
[001000](#)