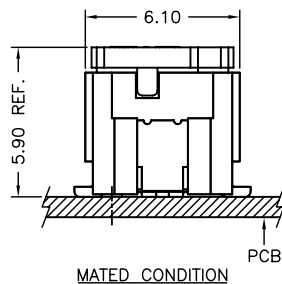
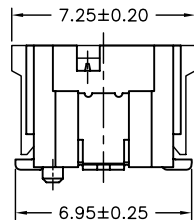
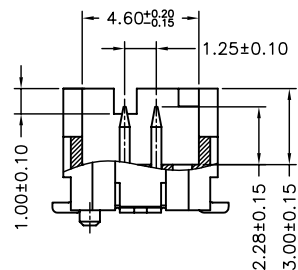
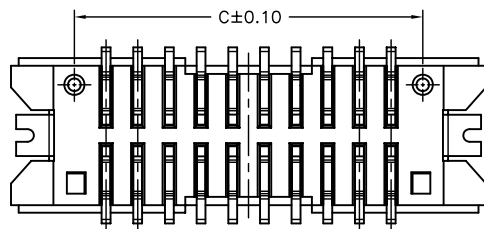
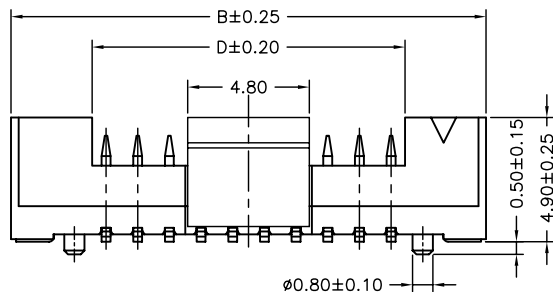


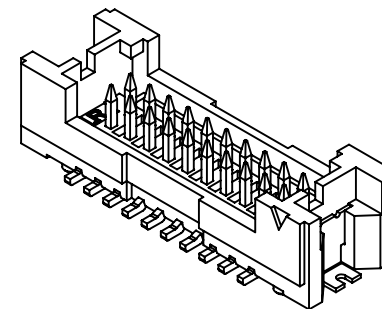
(TOP VIEW)



P/N LEGEND

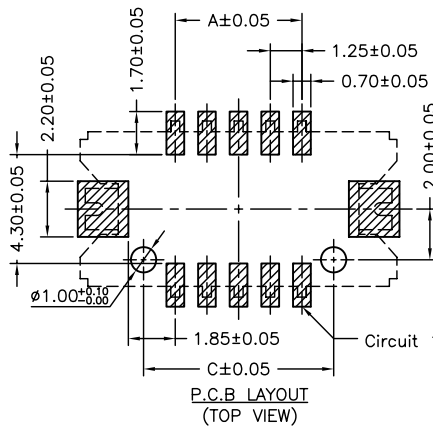
A1252 WV-SF-2XNP XXX

- ① Series No.
- ② Connector type: WV=Vertical
- ③ Mounting type: SF=SMT with boss
- ④ No. of circuits
- ⑤ Option code:  
 Blank=Contacts/Gold-flash and Solder tabs/Matte Tin-plated Color: Natural(Beige)  
 D01=Contacts/Gold-flash and Solder tabs/Gold-flash Color: Natural(Beige)  
 D11=Contacts/Gold-flash and Solder tabs/Gold-flash Color: Natural(Black)  
 D31=Contacts/Gold-flash and Solder tabs/Gold-flash Color: 285C(Blue)  
 D03=Contacts/Gold-plated 15u" and Solder tabs/Gold-flash Color: Natural(Beige)



SPECIFICATIONS

Current Rating: 1A AC,DC  
 Voltage Rating: 150V AC,DC  
 Temperature Range: -25°C ~ +85°C  
 Contact Resistance: 30mΩ Max.  
 Insulation Resistance: 500MΩ Min.  
 Withstanding Voltage: 500V AC/minute  
 Pin Material: Brass  
 Solder Tabs: Brass  
 Wafer: Nylon 6T,UL94V-0  
 Cap: Nylon 6T,UL94V-0,Natural(Beige)



P.C.B LAYOUT (TOP VIEW)

Circuit No.	Dimensions			
	A	B	C	D
2X05P	5.00	12.50	7.50	6.10
2X06P	6.25	13.75	8.75	7.35
2X07P	7.50	15.00	10.00	8.60
2X10P	11.25	18.75	13.75	12.35
2X15P	17.50	25.00	20.00	18.60
2X17P	20.00	27.50	22.50	21.10
2X18P	21.25	28.75	23.75	22.35
2X20P	23.75	31.25	26.25	24.85
2X21P	25.00	32.50	27.50	26.10
2X25P	30.00	37.50	32.50	31.10

				燦達電子工業股份有限公司 JOINT TECH ELECTRONIC IND. CO., LTD.	
		UNIT	SCALE	SHEET	
		mm	1 : 1	1 of 2	
		DRAWN BY		APPROVED BY	
		李勤		董正一	
		2006.05.31		2006.05.31	
GENERAL TOLERANCE					
A5	EN1405070001	2014.05.06	周傑亮	X.X±0.25	ANGLE±
A4	EN1010070288	2011.04.08	陳錦展	X.XX±0.15	
REV.	DESCRIPTION	DATE	NAME	X.XXX±0.05	
				TITLE: 1.25mm PITCH 180° DUAL ROW WAFER-SMT TYPE	
				DRAW NO.: A1252WV-SF-2XNP	
				REV. A5	

## X-ON Electronics

Largest Supplier of Electrical and Electronic Components

*Click to view similar products for [Headers & Wire Housings](#) category:*

*Click to view products by [Joint Tech](#) manufacturer:*

Other Similar products are found below :

[57102-F02-18ULF](#) [58102-G61-06LF](#) [0009485154](#) [009176003701906](#) [0050291907](#) [02.125.8002.8](#) [609-3404](#) [61062-3](#) [622-0430](#) [622-3653LF](#)  
[63453-116](#) [636-1030](#) [636-1427](#) [636-3427](#) [636-4007](#) [641938-9](#) [644827-2](#) [65495-038](#) [65692-001LF](#) [65781-018](#) [65781-047](#) [65817-010LF](#)  
[65817-015LF](#) [66207-023LF](#) [67016-026LF](#) [67095-007LF](#) [68631-112](#) [68645-018](#) [68648-049](#) [699319-000](#) [70.362.1628.0](#) [70-4210](#) [70-4226B](#)  
[70-4853B](#) [707-5020](#) [707-5028](#) [71.350.2428.0](#) [71961-016LF](#) [733-134](#) [754199-000](#) [760-3052](#) [787-8014-00](#) [FCN-367T-T012/H](#) [80.063.4001.1](#)  
[800-90-001-10-001000](#) [800-90-010-10-002000](#) [801-43-002-10-013000](#) [801-43-006-10-002000](#) [803-41-018-10-001000](#) [803-43-014-20-](#)  
[001000](#)