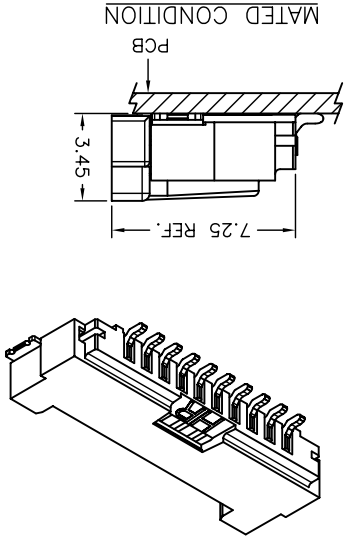


REV.	B4	EN160922001	2016.09.22	周傑亮	GENERAL TOLERANCE	X.XX±0.05	ANGLE	APPROVED BY	2007.12.26	謝瑞清	DRAWN BY	2007.12.26	歐陽小強	UNIT	mm	SCALE	1 : 1	SHEET	1 of 2	TITLE:	燦達電子工業股份有限公司	JOINT TECH ELECTRONIC IND. CO., LTD.
REV.	B3	EN1105260153	2011.05.26	陳敏		X.XX±0.15														1.25mm PITCH	90° WAFER-SMT TYPE,	WITHOUT BOSS
REV.	B2	EN1012140291	2010.12.14	陳敏		X.XX±0.15																
REV.	B4																					

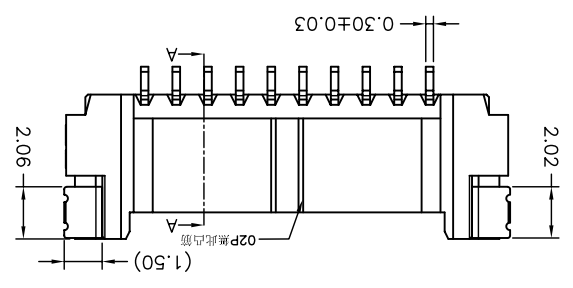
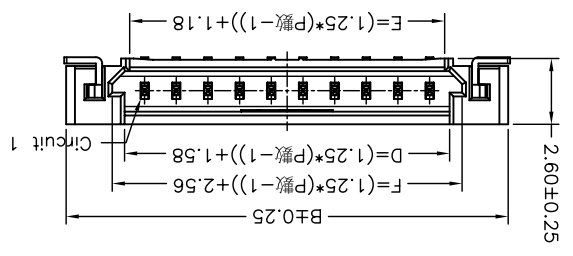
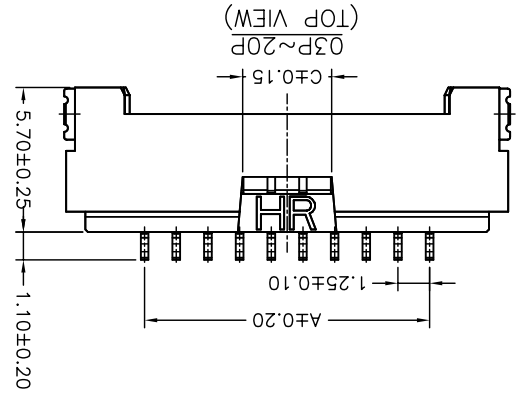
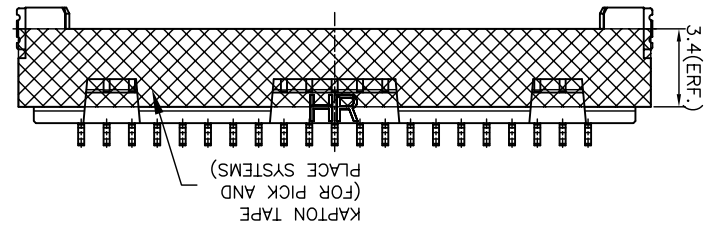
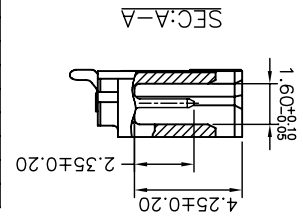
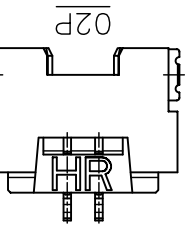
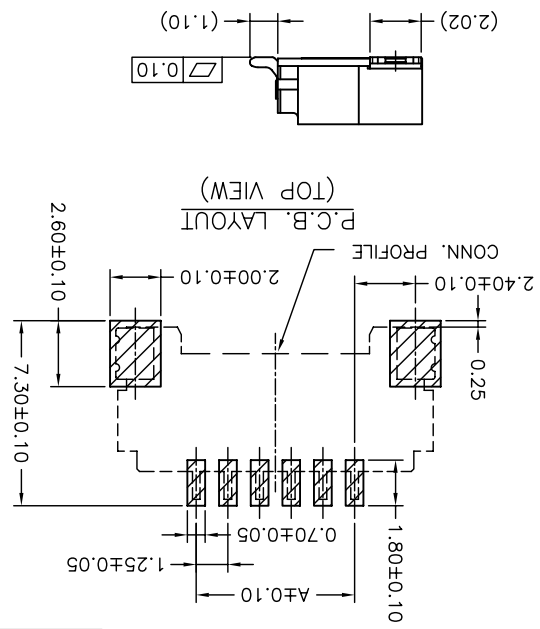
Circuit	Dimensions		
	No.	A	B
02P	1.25	7.45	3.50
03P	2.50	8.70	3.50
04P	3.75	9.95	3.50
05P	5.00	11.20	3.50
06P	6.25	12.45	3.50
07P	7.50	13.70	3.50
08P	8.75	14.95	3.50
09P	10.00	16.20	3.50
10P	11.25	17.45	3.50
11P	12.50	18.70	5.00
12P	13.75	19.95	5.00
13P	15.00	21.20	5.00
14P	16.25	22.45	5.00
15P	17.50	23.70	5.00
20P	23.75	29.95	5.00
25P	30.00	36.20	6.00
30P	36.25	42.45	6.00



**P/N LEGEND**

A1253 WRA-S-XP XXX

① Series No.  
 ② Connector type: WR=Right angle A Type  
 ③ Mounting type: S=SMT Type  
 ④ No. of circuits  
 ⑤ Option code:  
 Blank=Contacts/Matte Tin-plated  
 D01=Contacts/Gold-flash and Solder Tabs/Matte Tin-plated  
 D02=Contacts/Gold-flash and Solder tabs/Gold-flash  
 D20=Contacts/Gold-flash and Solder tabs/Gold-flash with Mylar  
 C=Contacts/Matte Tin-plated  
 Solder Tabs/Matte Tin-plated With Mylar



1 2 3 4

A B C D

Number of Contacts	WF±0.3	FF±0.1	S±0.1	Q'ty/Reel
02P	16	7.50		1,000
03P	24	11.50		1,000
04P	24	11.50		1,000
05P	24	11.50		1,000
06P	24	11.50		1,000
07P	24	11.50		1,000
08P	32	14.20	28.40	1,000
09P	32	14.20	28.40	1,000
10P	32	14.20	28.40	1,000
11P	32	14.20	28.40	1,000
12P	32	14.20	28.40	1,000
13P	44	20.20	40.40	1,000
14P	44	20.20	40.40	1,000
15P	44	20.20	40.40	1,000
20P	44	20.20	40.40	1,000
25P	56	26.20	52.40	1,000
30P	56	26.20	52.40	1,000

NOTE:  
Material: Transparent  
Anti-static Polystyrene.

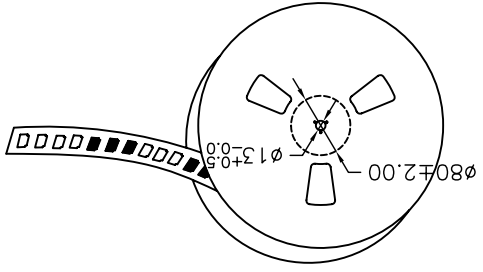
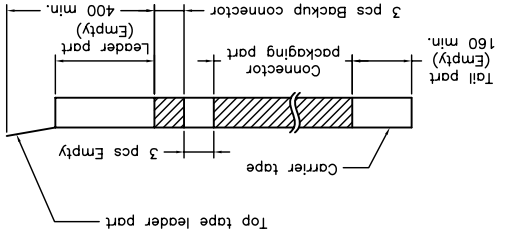
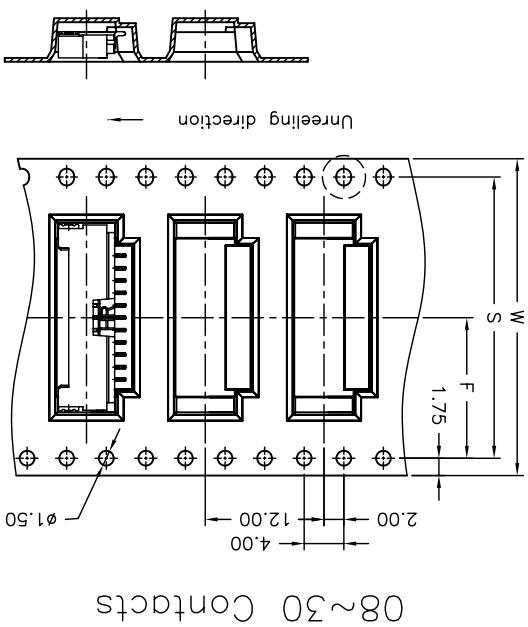
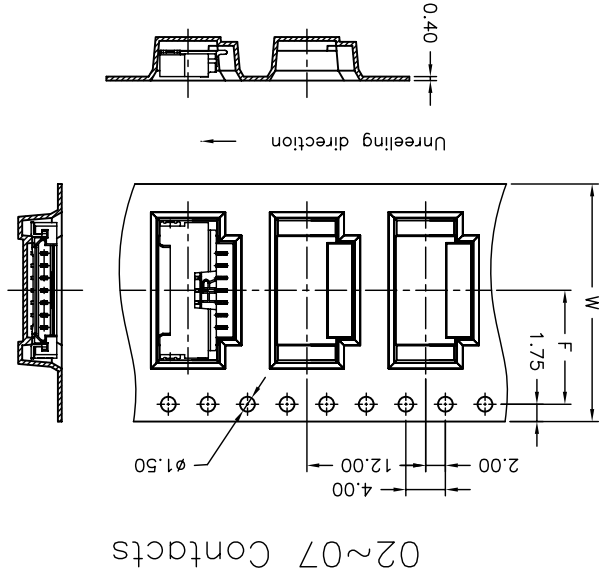
REV.	DESCRIPTION	DATE	NAME	DATE	NAME
B4	EN160922001	2016.09.22	周傑亮	2016.09.22	周傑亮
B3	EN1105260153	2011.05.26	陳敏	2011.05.26	陳敏
B2	EN1012140291	2010.12.14	陳敏	2010.12.14	陳敏
B1					

DRAWN BY	謝瑞清	2007.12.26	GENERAL TOLERANCE
APPROVED BY	歐陽小強	2007.12.26	
UNIT	mm		
SCALE	1 : 1		
SHEET	2 of 2		

REV.	B4
DRAW NO.:	A153WRA-S-XP
TITLE:	燦達電子工業股份有限公司 JOINT TECH ELECTRONIC IND. CO., LTD.



A B C D

## X-ON Electronics

Largest Supplier of Electrical and Electronic Components

*Click to view similar products for [Headers & Wire Housings](#) category:*

*Click to view products by [Joint Tech](#) manufacturer:*

Other Similar products are found below :

[95000-104TRLF](#) [10135584-644402LF](#) [DF62W-EP2022PCA](#) [95000-106TRLF](#) [DF62W-2022SCA](#) [DF62W-EP2022PC](#) [2203348](#) [DF62W-2022SC](#) [1084018](#) [1029039](#) [1084017](#) [802-10-012-10-002000](#) [1112640](#) [1112639](#) [891-007-9SS-BST1T](#) [000-34000](#) [0008550134](#) [0009482033](#) [0009507031](#) [57102-F02-18ULF](#) [57102-S06-03LF](#) [57202-S52-04LF](#) [PCN6-15S-2.5E](#) [0039019024](#) [58102-G61-06LF](#) [582553-1](#) [0009485154](#) [0009508121](#) [0022285053](#) [0050291907](#) [018731A](#) [LY20-4P-DT1-P1E-BR](#) [02.125.8002.8](#) [60101931](#) [60598-1 \(Cut Strip\)](#) [M1625-3R/100](#) [61062-3](#) [61082-181009](#) [CSU011177004](#) [636-1427](#) [638009-1](#) [641938-9](#) [641991-4](#) [644168-1](#) [644827-2](#) [647662-1](#) [65039-019ELF](#) [65692-001LF](#) [65781-018](#) [65781-047](#)