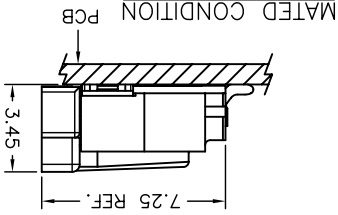
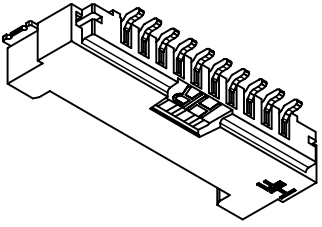
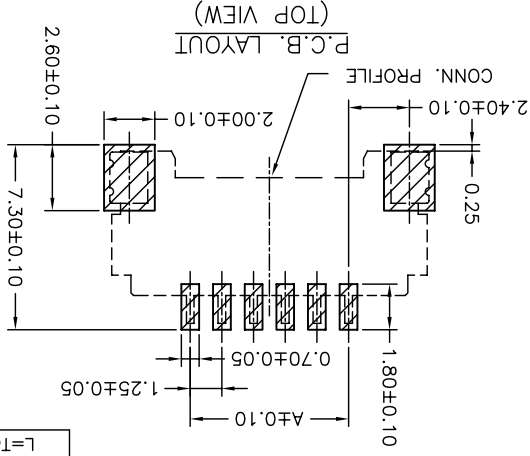
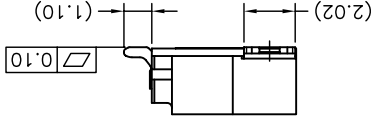
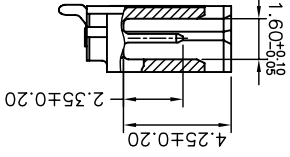
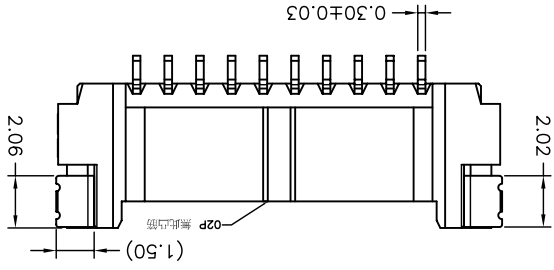
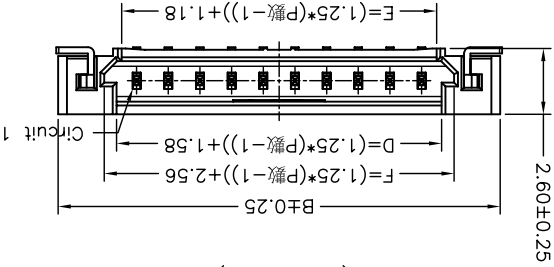
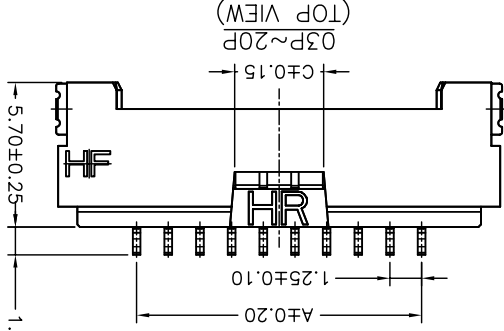


21P~30P
SCALE 0.8:1



Circuit		Dimensions	
No.	A	B	C
02P	1.25	7.45	3.50
03P	2.50	8.70	3.50
04P	3.75	9.95	3.50
05P	5.00	11.20	3.50
06P	6.25	12.45	3.50
07P	7.50	13.70	3.50
08P	8.75	14.95	3.50
09P	10.00	16.20	3.50
10P	11.25	17.45	3.50
11P	12.50	18.70	5.00
12P	13.75	19.95	5.00
13P	15.00	21.20	5.00
14P	16.25	22.45	5.00
15P	17.50	23.70	5.00
20P	23.75	29.95	5.00
25P	30.00	36.20	6.00
30P	36.25	42.45	6.00

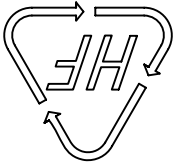
P/N LEGEND
A1253 WRA-S-XP N X X G1 X 00 X
① Series No.
② Connector type: WRA=Right angle A type
③ Mounting type: S=SMT without boss
④ No. of circuits
⑤ N=Halogen Free
⑥ Material: 6=Nylon 6T ; L=LCP
⑦ Color: B=Black ; N=Natural
⑧ Plating code for contacts:
⑨ T1=Matte Tin-plated; G1=Gold-flash
⑩ Plating code for solder tabs:
⑪ T=Matte Tin-plated; G=Gold-flash
⑫ Option code: 00=Standard
⑬ Packing code: R=Tape & Reel
⑭ L=Tape & Reel(With Mylar)

SPECIFICATIONS
Current Rating: 1A AC,DC
Voltage Rating: 150V AC,DC
Temperature Range: -25°C ~ +85°C
Contact Resistance: 20mΩ Max.
Insulation Resistance: 500MΩ Min.
Withstanding Voltage: 500V AC/minute
Pin Material: Brass/Gold-flash
Solder Tabs: Brass/Gold-flash
Material: Nylon 6T,UL94V-0
Color: Natural

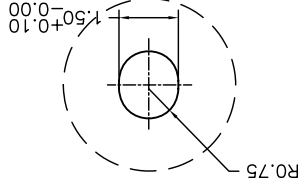
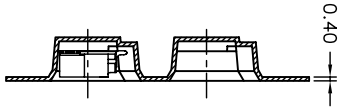
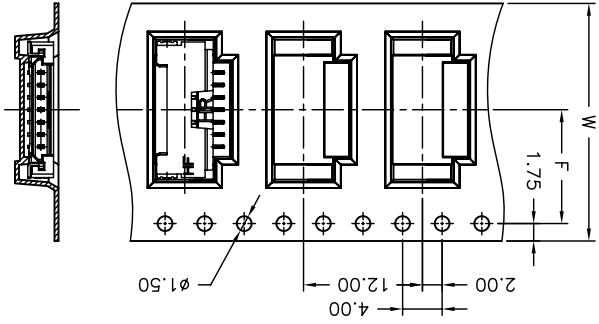
REV.	DESCRIPTION	DATE	NAME	X.XX±0.05	ANGLE
A0	NEW RELEASE	2011.02.17	陳敏	X.XX±0.15	ANGLE
A1	EN1303010062	2013.01.03	周傑亮	X.X±0.25	GENERAL TOLERANCE
A2	EN1305220163	2013.04.23	周傑亮	2011.02.17	2011.02.17
A3	EN1609220001	2016.09.22	周傑亮	陳敏	修正一
DRAWN BY		APPROVED BY		I : 1 1 of 2	
UNIT		SCALE		SHEET	
mm		1 : 1		1 of 2	

TITLE: 1.25mm PITCH
90° WAFER-SMT TYPE
DRAW NO.: A1253WRA-S-XPXXXXXXXXXX
REV. A3

燦達電子工業股份有限公司
JOINT TECH ELECTRONIC IND. CO., LTD.



02~07 Contacts

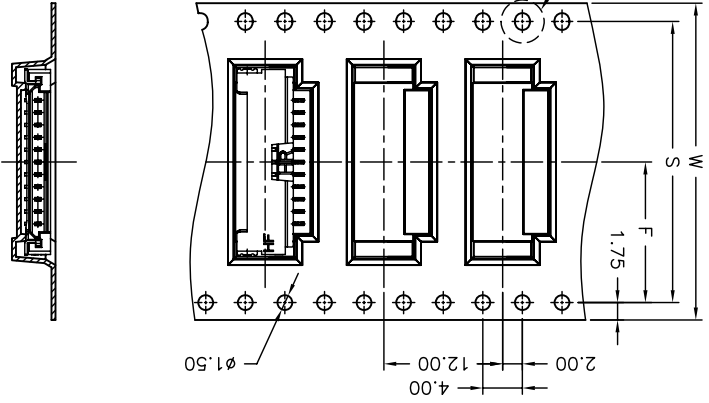


SCALE 4:1
DETAIL A

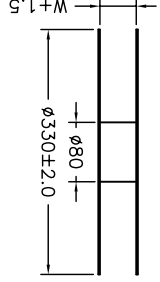
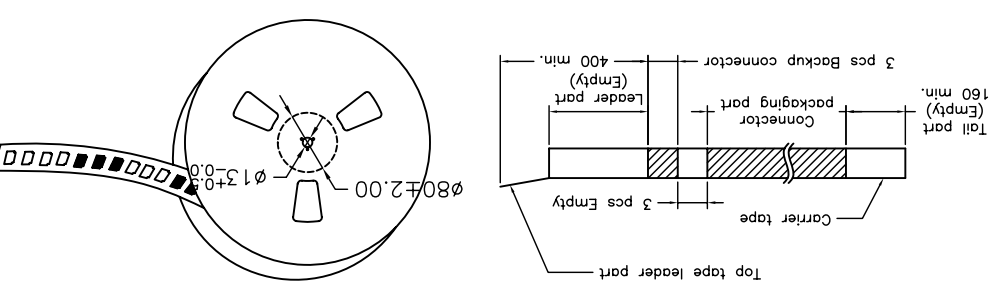
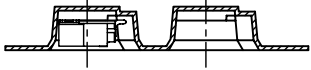
Number of Contacts	WF±0.3	FF±0.1	S±0.1	Q'ty/Reel
02P	16	7.50	1,000	1,000
03P	24	11.50	1,000	1,000
04P	24	11.50	1,000	1,000
05P	24	11.50	1,000	1,000
06P	24	11.50	1,000	1,000
07P	24	11.50	1,000	1,000
08P	32	14.20	28.40	1,000
09P	32	14.20	28.40	1,000
10P	32	14.20	28.40	1,000
11P	32	14.20	28.40	1,000
12P	32	14.20	28.40	1,000
13P	44	20.20	40.40	1,000
14P	44	20.20	40.40	1,000
15P	44	20.20	40.40	1,000
20P	44	20.20	40.40	1,000
25P	56	26.20	52.40	1,000
30P	56	26.20	52.40	1,000

NOTE:
Material:Transparent
Anti-static Polystyrene.

08~30 Contacts



Unreeled direction →



REV.	DESCRIPTION	DATE	NAME	ANGLE
A3	EN160922001	2016.09.22	周傑亮	2011.02.17
A2	EN1305220163	2013.04.23	周傑亮	GENERAL TOLERANCE
A1	EN1303010062	2013.01.03	周傑亮	X.±0.25
A0	NEW RELEASE	2011.02.17	陳敏	X.±0.15

DRAWN BY: 陳敏
 APPROVED BY: 蔣正一
 2011.02.17
 GENERAL TOLERANCE
 X.±0.25
 ANGLE
 X.±0.05

UNIT: mm
 SCALE: 1:1
 SHEET: 2 of 2
 TITLE: 1.25mm PITCH
 WITHOUT BOSS
 TAPING SPEC.

DRAW NO.: A123WRA-S-XPXXXXXXXXXXXX
 REV. A3



燦達電子工業股份有限公司
 JOINT TECH ELECTRONIC IND. CO., LTD.

X-ON Electronics

Largest Supplier of Electrical and Electronic Components

Click to view similar products for [Headers & Wire Housings](#) category:

Click to view products by [Joint Tech](#) manufacturer:

Other Similar products are found below :

[95000-104TRLF](#) [10135584-644402LF](#) [DF62W-EP2022PCA](#) [95000-106TRLF](#) [DF62W-2022SCA](#) [DF62W-EP2022PC](#) [2203348](#) [DF62W-2022SC](#) [1084018](#) [1029039](#) [1084017](#) [802-10-012-10-002000](#) [1112640](#) [1112639](#) [891-007-9SS-BST1T](#) [000-34000](#) [0008550134](#) [0009482033](#) [0009507031](#) [57102-F02-18ULF](#) [57102-S06-03LF](#) [57202-S52-04LF](#) [PCN6-15S-2.5E](#) [0039019024](#) [58102-G61-06LF](#) [582553-1](#) [0009485154](#) [0009508121](#) [0022285053](#) [0050291907](#) [018731A](#) [LY20-4P-DT1-P1E-BR](#) [02.125.8002.8](#) [60101931](#) [60598-1 \(Cut Strip\)](#) [M1625-3R/100](#) [61062-3](#) [61082-181009](#) [CSU011177004](#) [636-1427](#) [638009-1](#) [641938-9](#) [641991-4](#) [644168-1](#) [644827-2](#) [647662-1](#) [65039-019ELF](#) [65692-001LF](#) [65781-018](#) [65781-047](#)