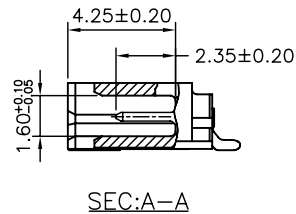
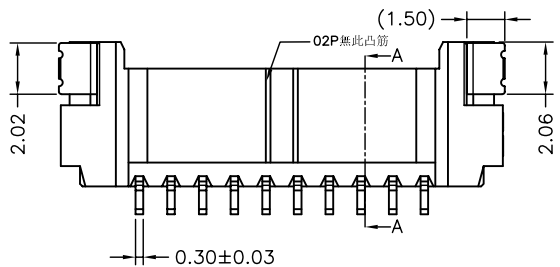
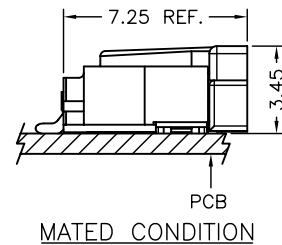
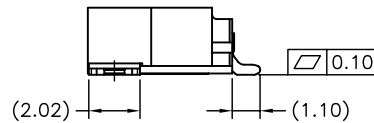
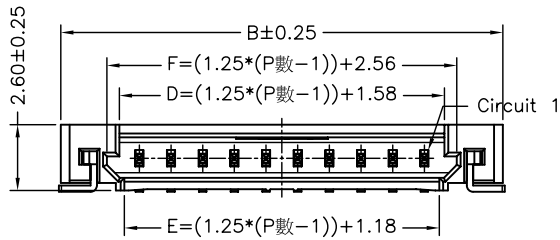
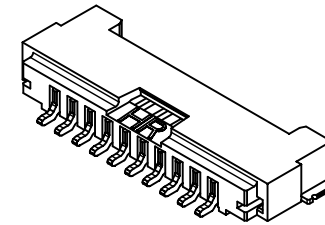
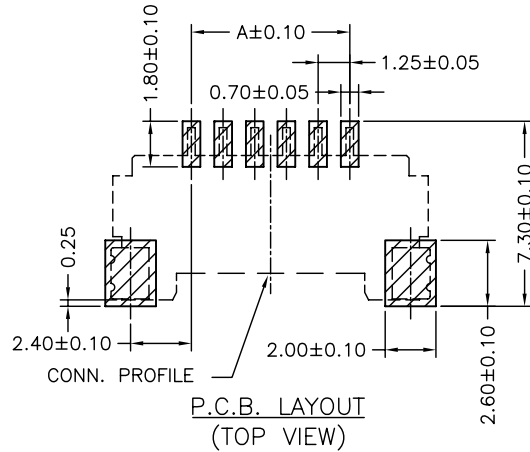
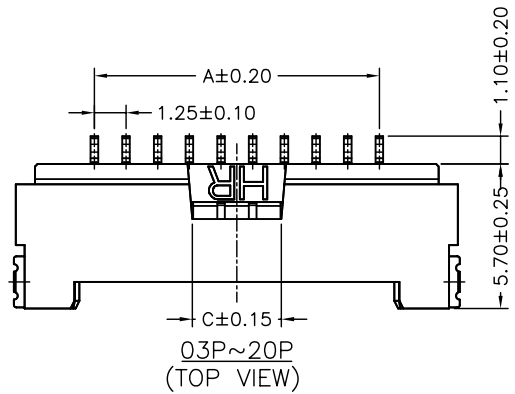


P/N LEGEND


- A1253 WRA-S-XP XXX**
- ① Series No.
 ② Connector type: WR=Right angle A Type
 ③ Mounting type: S=SMT Type
 ④ No. of circuits
 ⑤ Option code:
 Blank=Contacts/Matte Tin-plated
 Solder Tabs/Matte Tin-plated
 D01=Contacts/Gold-flash and
 Solder tabs/Gold-flash
 D20=Contacts/Gold-flash and
 Solder tabs/Gold-flash With Mylar
 C=Contacts/Matte Tin-plated
 Solder Tabs/Matte Tin-plated With Mylar

SPECIFICATIONS

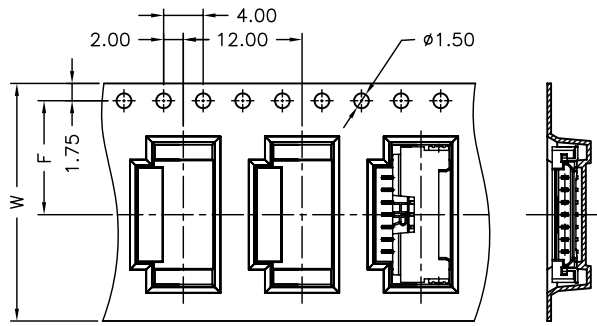
Current Rating: 1A AC,DC
 Voltage Rating: 150V AC,DC
 Temperature Range: -25°C ~ +85°C
 Contact Resistance: 20mΩ Max.
 Insulation Resistance: 500MΩ Min.
 Withstanding Voltage: 500V AC/minute
 Pin Material: Brass
 Solder Tabs: Brass
 Material: Nylon 6T,UL94V-0
 Color: Natural(Beige)



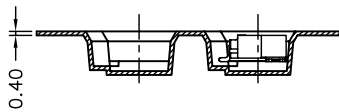
Circuit No.	Dimensions		
	A	B	C
02P	1.25	7.45	3.50
03P	2.50	8.70	3.50
04P	3.75	9.95	3.50
05P	5.00	11.20	3.50
06P	6.25	12.45	3.50
07P	7.50	13.70	3.50
08P	8.75	14.95	3.50
09P	10.00	16.20	3.50
10P	11.25	17.45	3.50
11P	12.50	18.70	5.00
12P	13.75	19.95	5.00
13P	15.00	21.20	5.00
14P	16.25	22.45	5.00
15P	17.50	23.70	5.00
20P	23.75	29.95	5.00
25P	30.00	36.20	6.00
30P	36.25	42.45	6.00

						燦達電子工業股份有限公司 JOINT TECH ELECTRONIC IND. CO., LTD.	
UNIT	SCALE	SHEET		TITLE:			
mm	1 : 1	1 of 2		1.25mm PITCH 90° WAFER-SMT TYPE, ULTRA LOW PROFILE, WITHOUT BOSS			
DRAWN BY		APPROVED BY		DRAW NO. :			
歐陽小強		謝瑞清		A1253WRA-S-XP			
2007.12.26		2007.12.26		REV. B4			
GENERAL TOLERANCE				ANGLE±			
B4	EN1609220001	2016.09.22	周傑亮	X.X±0.25			
B3	EN1105260153	2011.05.26	陳敏	X.XX±0.15			
B2	EN1012140291	2010.12.14	陳敏	X.XXX±0.05			
REV.	DESCRIPTION	DATE	NAME				

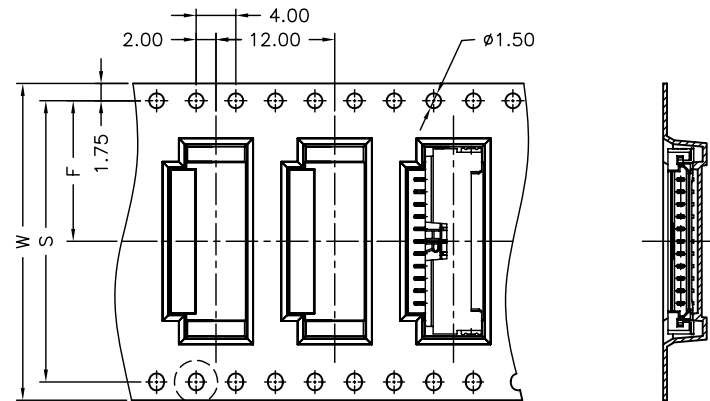
02~07 Contacts



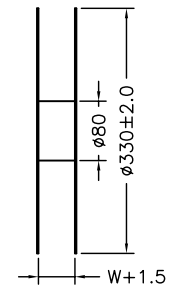
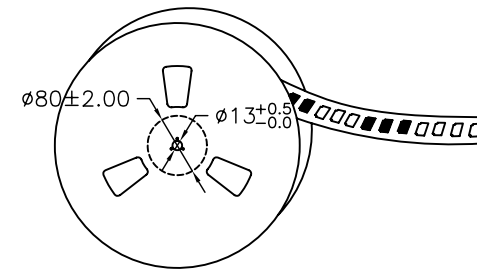
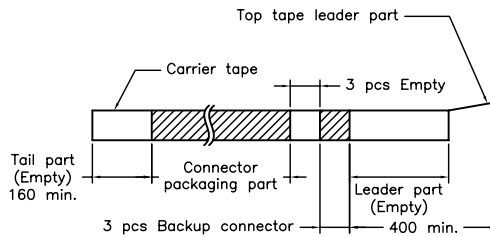
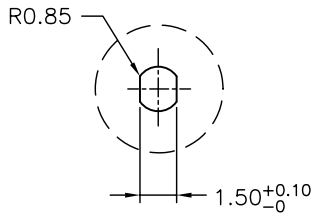
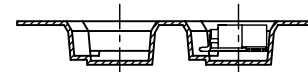
Unreeling direction →



08~30 Contacts



Unreeling direction →



Number of Contacts	W±0.3	F±0.1	S±0.1	Q'ty/Reel
02P	16	7.50	/	1,000
03P	24	11.50		1,000
04P	24	11.50		1,000
05P	24	11.50		1,000
06P	24	11.50		1,000
07P	24	11.50		1,000
08P	32	14.20		28.40
09P	32	14.20	28.40	1,000
10P	32	14.20	28.40	1,000
11P	32	14.20	28.40	1,000
12P	32	14.20	28.40	1,000
13P	44	20.20	40.40	1,000
14P	44	20.20	40.40	1,000
15P	44	20.20	40.40	1,000
20P	44	20.20	40.40	1,000
25P	56	26.20	52.40	1,000
30P	56	26.20	52.40	1,000

NOTE:
Material:Transparent
Anti-static Polystyrene.

						燦達電子工業股份有限公司 JOINT TECH ELECTRONIC IND. CO., LTD.	
		UNIT	SCALE	SHEET		TITLE:	
		mm	1 : 1	2 of 2		1.25mm PITCH 90° WAFER-SMT TYPE, WITHOUT BOSS TAPING SPEC.	
		DRAWN BY		APPROVED BY		DRAW NO. :	
		歐陽小強		謝瑞清		A1253WRA-S-XP	
		2007.12.26		2007.12.26		REV. B4	
		GENERAL TOLERANCE					
B4	EN1609220001	2016.09.22	周傑亮	X.X±0.25	ANGLE±		
B3	EN1105260153	2011.05.26	陳敏	X.XX±0.15			
B2	EN1012140291	2010.12.14	陳敏	X.XXX±0.05			
REV.	DESCRIPTION	DATE	NAME				

X-ON Electronics

Largest Supplier of Electrical and Electronic Components

Click to view similar products for [Headers & Wire Housings](#) category:

Click to view products by [Joint Tech](#) manufacturer:

Other Similar products are found below :

[57102-F02-18ULF](#) [58102-G61-06LF](#) [582553-1](#) [009176003701906](#) [01.001.5753.1](#) [0050291907](#) [02.125.8002.8](#) [609-3404](#) [61062-3](#)
[CSU011177004](#) [622-0430](#) [622-3653LF](#) [63453-116](#) [636-1030](#) [636-1427](#) [636-3427](#) [636-4007](#) [641938-9](#) [65495-038](#) [65692-001LF](#) [65781-018](#)
[65781-047](#) [65817-010LF](#) [65817-015LF](#) [66207-023LF](#) [67095-007LF](#) [67601157](#) [68631-112](#) [68645-018](#) [699319-000](#) [M90C108951C](#)
[70.362.1628.0](#) [70-4210](#) [70-4226B](#) [70-4853B](#) [707-5028](#) [71.350.2428.0](#) [71961-016LF](#) [733-134](#) [733-162](#) [754199-000](#) [760-3052](#) [80.063.4001.1](#)
[800-90-001-10-001000](#) [800-90-010-10-002000](#) [801-43-002-10-013000](#) [801-43-006-10-002000](#) [803-41-018-10-001000](#) [803-43-024-10-](#)
[001000](#) [803-93-012-10-001000](#)