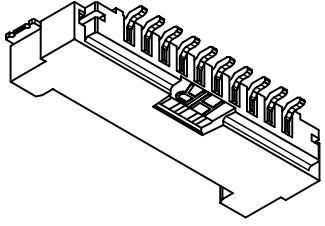
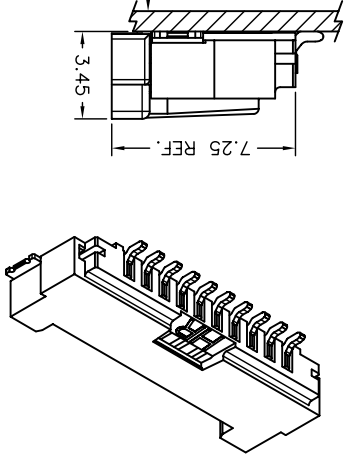


REV.	B4	EN160922001	2016.09.22	周傑亮	GENERAL TOLERANCE	ANGLES	DRAWN BY 歐陽小強 謝瑞清	APPROVED BY	2007.12.26 2007.12.26	UNIT mm	SCALE 1:1	SHEET 1 of 2	TITLE: 燦達電子工業股份有限公司 JOINT TECH ELECTRONIC IND. CO., LTD.	1.25mm PITCH 90° WAFER-SMT TYPE, WITHOUT BOSS	DRAW NO.: A125WRA-S-XP	REV. B4
DESCRIPTION	DATE	NAME	GENERAL TOLERANCE	ANGLES												
B4	EN160922001	2016.09.22	周傑亮	GENERAL TOLERANCE	ANGLES											
B3	EN1105260153	2011.05.26	陳敏	X.XX±0.25												
B2	EN1012140291	2010.12.14	陳敏	X.XX±0.15												
B1				X.XX±0.05												

MATED CONDITION



Circuit	Dimensions		
	No.	A	B
02P	1.25	7.45	3.50
03P	2.50	8.70	3.50
04P	3.75	9.95	3.50
05P	5.00	11.20	3.50
06P	6.25	12.45	3.50
07P	7.50	13.70	3.50
08P	8.75	14.95	3.50
09P	10.00	16.20	3.50
10P	11.25	17.45	3.50
11P	12.50	18.70	5.00
12P	13.75	19.95	5.00
13P	15.00	21.20	5.00
14P	16.25	22.45	5.00
15P	17.50	23.70	5.00
20P	23.75	29.95	5.00
25P	30.00	36.20	6.00
30P	36.25	42.45	6.00

P/N LEGEND

A1253 WRA-S-XP XXX

① Series No.

② Connector type: WR=Right angle A Type

③ Mounting type: S=SMT Type

④ No. of circuits

⑤ Option code:

Blank=Contacts/Matte Tin-plated

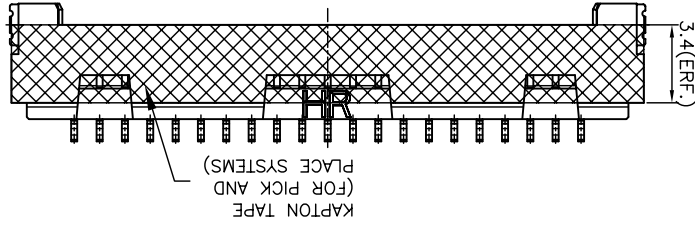
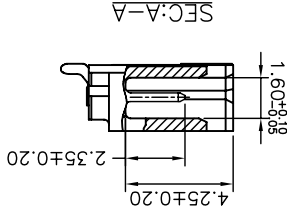
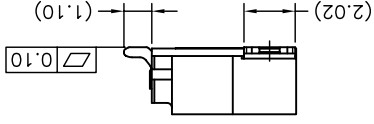
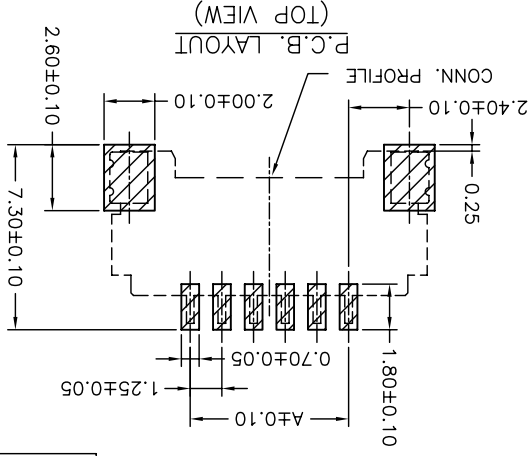
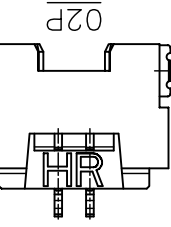
D01=Contacts/Gold-flash and Solder Tabs/Matte Tin-plated

D0=Contacts/Gold-flash and Solder tabs/gold-flash with Mylar

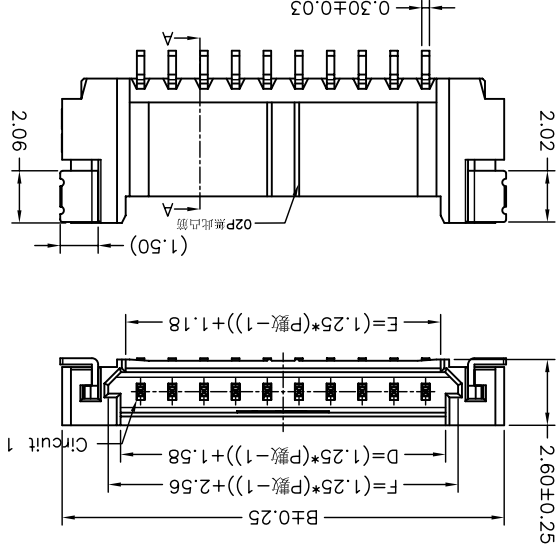
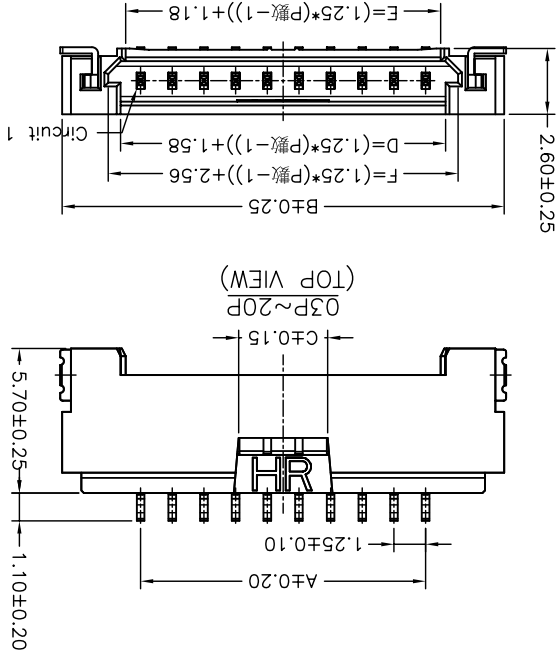
C=Contacts/Matte Tin-plated

Solder Tabs/Matte Tin-plated With Mylar

SPECIFICATIONS
 Current Rating: 1A AC,DC
 Voltage Rating: 150V AC,DC
 Temperature Range: -25°C ~ +85°C
 Contact Resistance: 20mΩ Max.
 Insulation Resistance: 500MΩ Min.
 Withstanding Voltage: 500V AC/minute
 Pin Material: Brass
 Solder Tabs: Brass
 Material: Nylon 6T,UL94V-0
 Color: Natural(Beige)



SCALE 0.8:1
21P~30P



Number of Contacts	WF±0.3	FF±0.1	S±0.1	Q'ty/Reel
02P	16	7.50	1,000	1,000
03P	24	11.50	1,000	1,000
04P	24	11.50	1,000	1,000
05P	24	11.50	1,000	1,000
06P	24	11.50	1,000	1,000
07P	24	11.50	1,000	1,000
08P	32	14.20	28.40	1,000
09P	32	14.20	28.40	1,000
10P	32	14.20	28.40	1,000
11P	32	14.20	28.40	1,000
12P	32	14.20	28.40	1,000
13P	44	20.20	40.40	1,000
14P	44	20.20	40.40	1,000
15P	44	20.20	40.40	1,000
20P	44	20.20	40.40	1,000
25P	56	26.20	52.40	1,000
30P	56	26.20	52.40	1,000

NOTE:
Material: Transparent
Anti-static Polystyrene.

REV.	DESCRIPTION	DATE	NAME	X.XX±0.05	ANGLE
B4	EN160922001	2016.09.22	周傑亮	X.XX±0.15	
B3	EN1105260153	2011.05.26	陳敏	X.XX±0.25	
B2	EN1012140291	2010.12.14	陳敏		

UNIT	SCALE	SHEET
mm	1 : 1	2 of 2

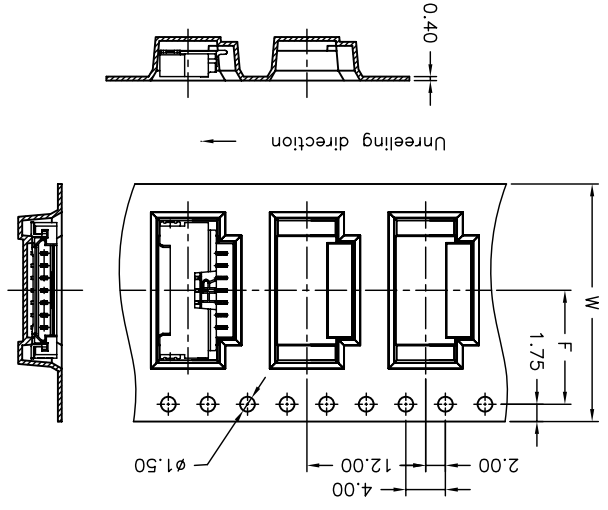
DRAWN BY	APPROVED BY	DATE	GENERAL TOLERANCE
歐陽小強 謝瑞清		2007.12.26	2007.12.26

REV.	DESCRIPTION
B4	AW38WA-S-XP

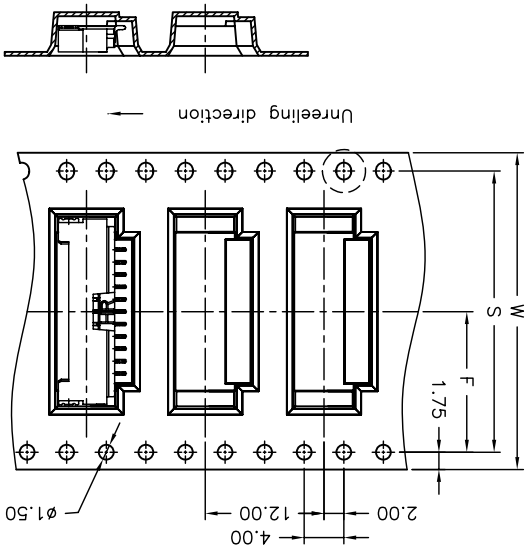
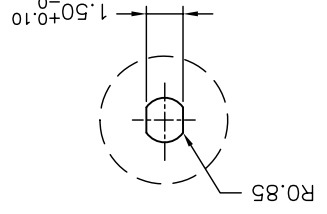
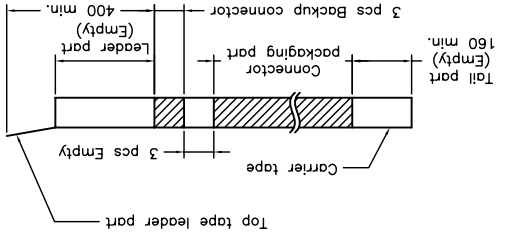
DRAW NO.: A1253WRA-S-XP

TITLE:
90° WAFER-SMT TYPE,
WITHOUT BOSS
TAPING SPEC.

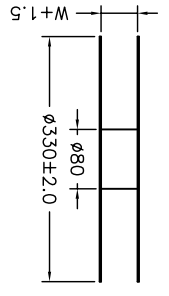
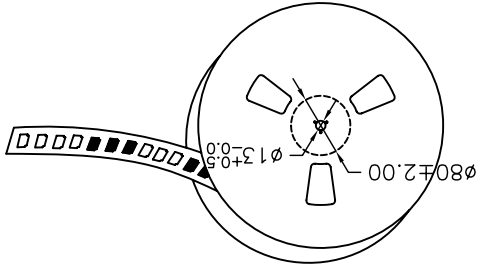
聯達電子工業股份有限公司
JOINT TECH ELECTRONIC IND. CO., LTD.



02~07 Contacts



08~30 Contacts



X-ON Electronics

Largest Supplier of Electrical and Electronic Components

Click to view similar products for [Headers & Wire Housings](#) category:

Click to view products by [Joint Tech](#) manufacturer:

Other Similar products are found below :

[95000-104TRLF](#) [10135584-644402LF](#) [DF62W-EP2022PCA](#) [95000-106TRLF](#) [DF62W-2022SCA](#) [DF62W-EP2022PC](#) [2203348](#) [DF62W-2022SC](#) [1084018](#) [1029039](#) [1084017](#) [802-10-012-10-002000](#) [1112640](#) [1112639](#) [891-007-9SS-BST1T](#) [000-34000](#) [0008550134](#) [0009482033](#) [0009507031](#) [57102-F02-18ULF](#) [57102-S06-03LF](#) [57202-S52-04LF](#) [PCN6-15S-2.5E](#) [0039019024](#) [58102-G61-06LF](#) [582553-1](#) [0009485154](#) [0009508121](#) [0022285053](#) [0050291907](#) [018731A](#) [LY20-4P-DT1-P1E-BR](#) [02.125.8002.8](#) [60101931](#) [60598-1 \(Cut Strip\)](#) [M1625-3R/100](#) [61062-3](#) [61082-181009](#) [CSU011177004](#) [636-1427](#) [638009-1](#) [641938-9](#) [641991-4](#) [644168-1](#) [644827-2](#) [647662-1](#) [65039-019ELF](#) [65692-001LF](#) [65781-018](#) [65781-047](#)