

P/N LEGEND

A1253 WRA-S-XP XXX

① Series No.
 ② Connector type: WR=Right angle A Type
 ③ Mounting type: S=SMT Type
 ④ No. of circuits
 ⑤ Option code:
 Blank=Contacts/Matte Tin-plated
 D01=Contacts/Gold-flash and Solder Tabs/Matte Tin-plated
 D0=Contacts/Gold-flash and Solder tabs/Gold-flash
 D20=Contacts/Gold-flash and Solder tabs/Gold-flash with Mylar
 C=Contacts/Matte Tin-plated
 Solder Tabs/Matte Tin-plated With Mylar

| Circuit | Dimensions | | |
|---------|------------|-------|------|
| | No. | A | B |
| 02P | 1.25 | 7.45 | 3.50 |
| 03P | 2.50 | 8.70 | 3.50 |
| 04P | 3.75 | 9.95 | 3.50 |
| 05P | 5.00 | 11.20 | 3.50 |
| 06P | 6.25 | 12.45 | 3.50 |
| 07P | 7.50 | 13.70 | 3.50 |
| 08P | 8.75 | 14.95 | 3.50 |
| 09P | 10.00 | 16.20 | 3.50 |
| 10P | 11.25 | 17.45 | 3.50 |
| 11P | 12.50 | 18.70 | 5.00 |
| 12P | 13.75 | 19.95 | 5.00 |
| 13P | 15.00 | 21.20 | 5.00 |
| 14P | 16.25 | 22.45 | 5.00 |
| 15P | 17.50 | 23.70 | 5.00 |
| 20P | 23.75 | 29.95 | 5.00 |
| 25P | 30.00 | 36.20 | 6.00 |
| 30P | 36.25 | 42.45 | 6.00 |

| | | | | | |
|------|--------------|------------|------|-------------------|------------|
| REV. | DESCRIPTION | DATE | NAME | X.XX±0.05 | ANGLE |
| B2 | EN1012140291 | 2010.12.14 | 陳敏 | X.XX±0.15 | |
| B3 | EN1105260153 | 2011.03.26 | 陳敏 | X.X±0.25 | |
| B4 | EN1609220001 | 2016.09.22 | 周傑亮 | GENERAL TOLERANCE | |
| | | | | DRAWN BY | 2007.12.26 |
| | | | | 歐陽小強 | 2007.12.26 |
| | | | | 謝瑞清 | |
| | | | | APPROVED BY | |
| | | | | 1 : 1 | 1 of 2 |
| | | | | UNIT | SCALE |
| | | | | mm | SHEET |

TITLE: 燦達電子工業股份有限公司
 JOINT TECH ELECTRONIC IND. CO., LTD.
 1.25mm PITCH
 90° WAFER-SMT TYPE,
 WITHOUT BOSS

DRAW NO.: A1253WRA-S-XP
 REV. B4

SPECIFICATIONS

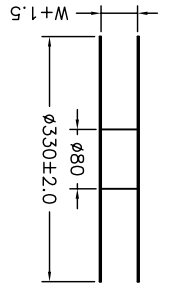
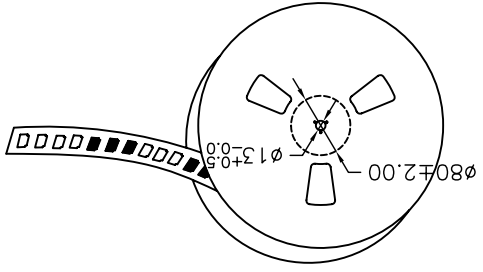
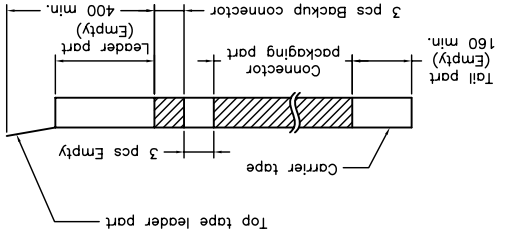
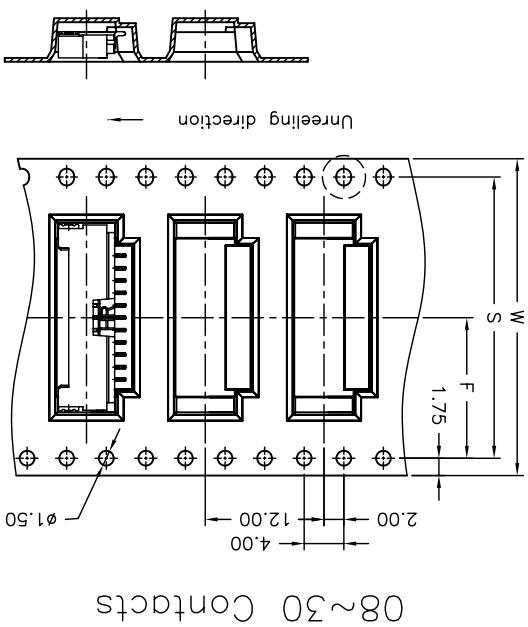
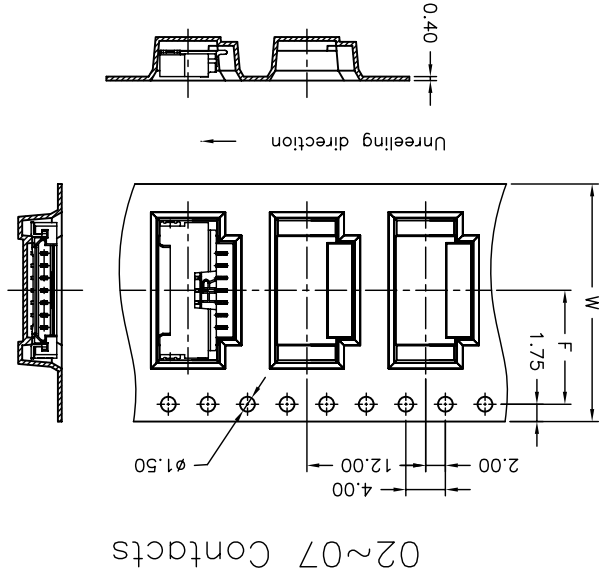
Current Rating: 1A AC,DC
 Voltage Rating: 150V AC,DC
 Temperature Range: -25°C ~ +85°C
 Contact Resistance: 20mΩ Max.
 Insulation Resistance: 500MΩ Min.
 Withstanding Voltage: 500V AC/minute
 Pin Material: Brass
 Solder Tabs: Brass
 Material: Nylon 6T,UL94V-0
 Color: Natural(Beige)

| Number of Contacts | WF±0.3 | FF±0.1 | S±0.1 | Q'ty/Reel |
|--------------------|--------|--------|-------|-----------|
| 02P | 16 | 7.50 | 1,000 | 1,000 |
| 03P | 24 | 11.50 | 1,000 | 1,000 |
| 04P | 24 | 11.50 | 1,000 | 1,000 |
| 05P | 24 | 11.50 | 1,000 | 1,000 |
| 06P | 24 | 11.50 | 1,000 | 1,000 |
| 07P | 24 | 11.50 | 1,000 | 1,000 |
| 08P | 32 | 14.20 | 28.40 | 1,000 |
| 09P | 32 | 14.20 | 28.40 | 1,000 |
| 10P | 32 | 14.20 | 28.40 | 1,000 |
| 11P | 32 | 14.20 | 28.40 | 1,000 |
| 12P | 32 | 14.20 | 28.40 | 1,000 |
| 13P | 44 | 20.20 | 40.40 | 1,000 |
| 14P | 44 | 20.20 | 40.40 | 1,000 |
| 15P | 44 | 20.20 | 40.40 | 1,000 |
| 20P | 44 | 20.20 | 40.40 | 1,000 |
| 25P | 56 | 26.20 | 52.40 | 1,000 |
| 30P | 56 | 26.20 | 52.40 | 1,000 |

NOTE:
Material:Transparent
Anti-static Polystyrene.

| REV. | DESCRIPTION | DATE | NAME | DATE | NAME |
|------|--------------|------------|------|------------|------|
| B4 | EN160922001 | 2016.09.22 | 周傑亮 | 2016.09.22 | 周傑亮 |
| B3 | EN1105260153 | 2011.05.26 | 陳敏 | 2011.05.26 | 陳敏 |
| B2 | EN1012140291 | 2010.12.14 | 陳敏 | 2010.12.14 | 陳敏 |

| | | | |
|--------------------------------------|--------|--------------|---|
| DRAWN BY | 謝瑞清 | 2007.12.26 | GENERAL TOLERANCE |
| APPROVED BY | 歐陽小強 | 2007.12.26 | ANGLE |
| UNIT | mm | SCALE | 1 : 1 |
| SHEET | 2 of 2 | TITLE: | 90° WAFER-SMT TYPE, WITHOUT BOSS TAPING SPEC. |
| JOINT TECH ELECTRONIC IND. CO., LTD. | | 聯達電子工業股份有限公司 | |



A B C D

1 2 3 4

X-ON Electronics

Largest Supplier of Electrical and Electronic Components

Click to view similar products for [Headers & Wire Housings](#) category:

Click to view products by [Joint Tech](#) manufacturer:

Other Similar products are found below :

[95000-104TRLF](#) [10135584-644402LF](#) [DF62W-EP2022PCA](#) [95000-106TRLF](#) [DF62W-2022SCA](#) [DF62W-EP2022PC](#) [2203348](#) [DF62W-2022SC](#) [1084018](#) [1029039](#) [1084017](#) [802-10-012-10-002000](#) [1112640](#) [1112639](#) [891-007-9SS-BST1T](#) [000-34000](#) [0008550134](#) [0009482033](#) [0009507031](#) [57102-F02-18ULF](#) [57102-S06-03LF](#) [57202-S52-04LF](#) [PCN6-15S-2.5E](#) [0039019024](#) [58102-G61-06LF](#) [582553-1](#) [0009485154](#) [0009508121](#) [0022285053](#) [0050291907](#) [018731A](#) [LY20-4P-DT1-P1E-BR](#) [02.125.8002.8](#) [60101931](#) [60598-1 \(Cut Strip\)](#) [M1625-3R/100](#) [61062-3](#) [61082-181009](#) [CSU011177004](#) [636-1427](#) [638009-1](#) [641938-9](#) [641991-4](#) [644168-1](#) [644827-2](#) [647662-1](#) [65039-019ELF](#) [65692-001LF](#) [65781-018](#) [65781-047](#)