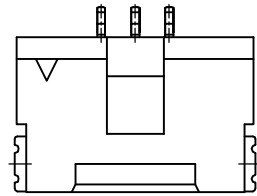
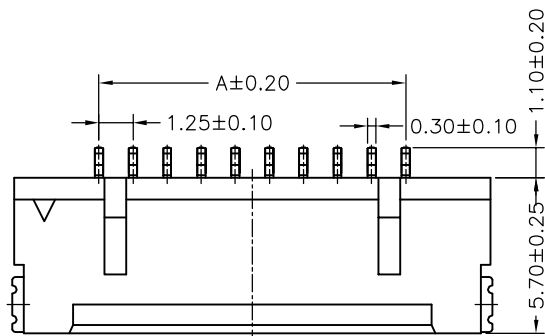
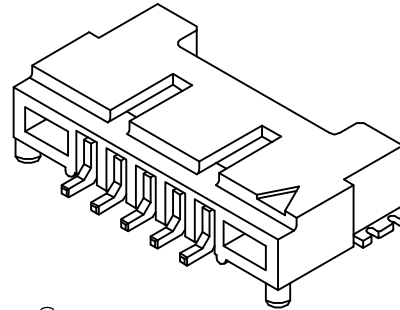


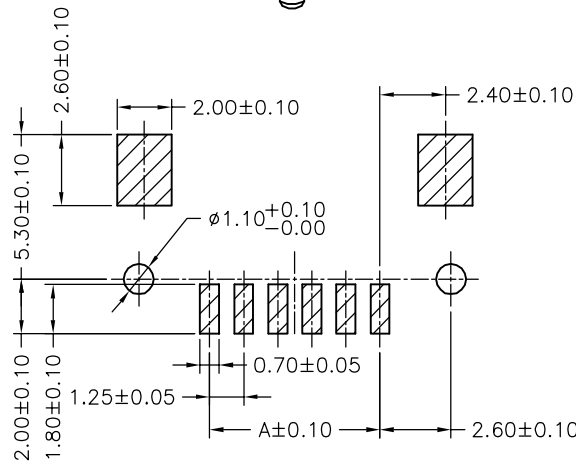
02P



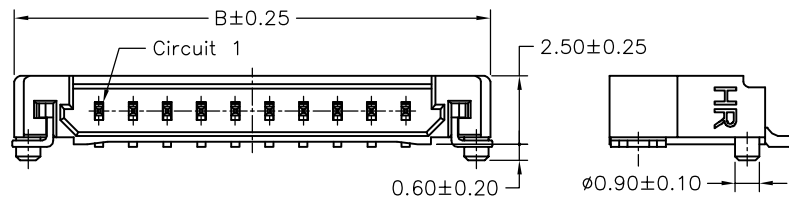
03P



04P~30P



P.C.B. LAYOUT



SPECIFICATIONS

Current Rating: 1A AC,DC
 Voltage Rating: 150V AC,DC
 Temperature Range: -25°C ~ +85°C
 Contact Resistance: 30mΩ Max.
 Insulation Resistance: 500MΩ Min.
 Withstanding Voltage: 500V AC/minute
 Pin Material: Brass/Tin-plated
 Solder Tabs: Brass/Tin-plated
 Material: Nylon 6T,UL94V-0
 Color: Natural(Beige)

Ordering Information & Dimensions

PART NO.	Dimensions	
	A	B
A1253WR-SF-02P	1.25	7.45
A1253WR-SF-03P	2.50	8.70
A1253WR-SF-04P	3.75	9.95
A1253WR-SF-05P	5.00	11.20
A1253WR-SF-06P	6.25	12.45
A1253WR-SF-07P	7.50	13.70
A1253WR-SF-08P	8.75	14.95
A1253WR-SF-09P	10.00	16.20
A1253WR-SF-10P	11.25	17.45
A1253WR-SF-11P	12.50	18.70
A1253WR-SF-12P	13.75	19.95
A1253WR-SF-13P	15.00	21.20
A1253WR-SF-14P	16.25	22.45
A1253WR-SF-15P	17.50	23.70
A1253WR-SF-20P	23.75	29.95
A1253WR-SF-21P	25.00	31.20
A1253WR-SF-25P	30.00	36.20
A1253WR-SF-30P	36.25	42.45



JOINT TECH ELECTRONIC IND. CO., LTD.
 JOY DAY INDUSTRIAL CO., LTD.

UNIT	SCALE	SHEET
mm		1 of 2
DRAWN BY	APPROVED BY	
李勤	董正一	
2005.12.08	2005.12.08	

TITLE:
 1.25mm PITCH
 90° WAFER-SMT TYPE
 ULTRA LOW PROFILE
 DRAW NO.: A1253WR-SF-XP

REV.	DESCRIPTION	DATE	GENERAL TOLERANCE	ANGLE±
A2	REVISE	2008.01.25	X.X±0.25	
A1	REVISE	2007.01.03	X.XX±0.15	
A0	NEW RELEASE	2005.12.08	X.XXX±0.05	

REV. A2

X-ON Electronics

Largest Supplier of Electrical and Electronic Components

Click to view similar products for [Headers & Wire Housings](#) category:

Click to view products by [Joint Tech](#) manufacturer:

Other Similar products are found below :

[95000-104TRLF](#) [10135584-644402LF](#) [DF62W-EP2022PCA](#) [95000-106TRLF](#) [DF62W-2022SCA](#) [DF62W-EP2022PC](#) [2203348](#) [DF62W-2022SC](#) [1084018](#) [1029039](#) [1084017](#) [802-10-012-10-002000](#) [1112640](#) [1112639](#) [891-007-9SS-BST1T](#) [000-34000](#) [0008550134](#) [0009482033](#) [0009507031](#) [57102-F02-18ULF](#) [57102-S06-03LF](#) [57202-S52-04LF](#) [PCN6-15S-2.5E](#) [0039019024](#) [58102-G61-06LF](#) [582553-1](#) [0009485154](#) [0009508121](#) [0022285053](#) [0050291907](#) [018731A](#) [LY20-4P-DT1-P1E-BR](#) [02.125.8002.8](#) [60101931](#) [60598-1 \(Cut Strip\)](#) [M1625-3R/100](#) [61062-3](#) [61082-181009](#) [CSU011177004](#) [636-1427](#) [638009-1](#) [641938-9](#) [641991-4](#) [644168-1](#) [644827-2](#) [647662-1](#) [65039-019ELF](#) [65692-001LF](#) [65781-018](#) [65781-047](#)