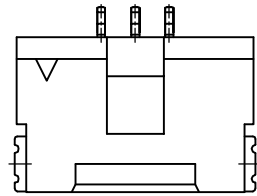
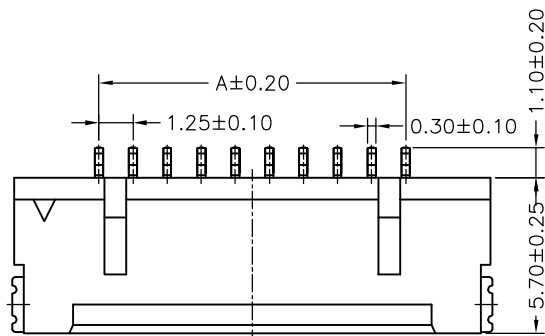
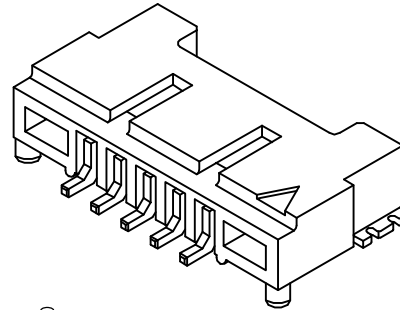


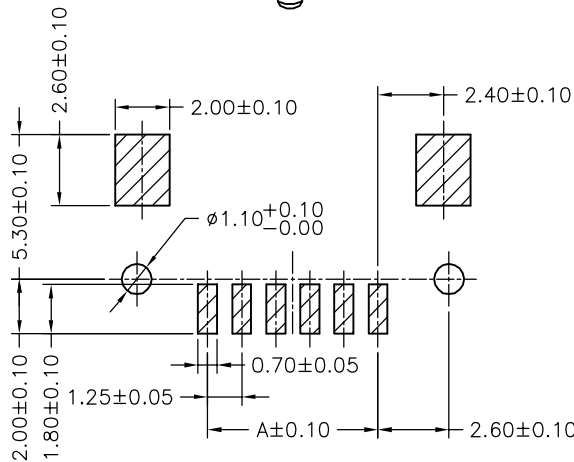
02P



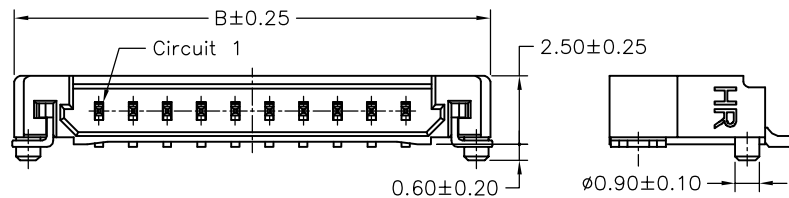
03P



04P~30P



P.C.B. LAYOUT



SPECIFICATIONS

Current Rating: 1A AC,DC
 Voltage Rating: 150V AC,DC
 Temperature Range: -25°C ~ +85°C
 Contact Resistance: 30mΩ Max.
 Insulation Resistance: 500MΩ Min.
 Withstanding Voltage: 500V AC/minute
 Pin Material: Brass/Tin-plated
 Solder Tabs: Brass/Tin-plated
 Material: Nylon 6T,UL94V-0
 Color: Natural(Beige)

Ordering Information & Dimensions

| PART NO. | Dimensions | |
|----------------|------------|-------|
| | A | B |
| A1253WR-SF-02P | 1.25 | 7.45 |
| A1253WR-SF-03P | 2.50 | 8.70 |
| A1253WR-SF-04P | 3.75 | 9.95 |
| A1253WR-SF-05P | 5.00 | 11.20 |
| A1253WR-SF-06P | 6.25 | 12.45 |
| A1253WR-SF-07P | 7.50 | 13.70 |
| A1253WR-SF-08P | 8.75 | 14.95 |
| A1253WR-SF-09P | 10.00 | 16.20 |
| A1253WR-SF-10P | 11.25 | 17.45 |
| A1253WR-SF-11P | 12.50 | 18.70 |
| A1253WR-SF-12P | 13.75 | 19.95 |
| A1253WR-SF-13P | 15.00 | 21.20 |
| A1253WR-SF-14P | 16.25 | 22.45 |
| A1253WR-SF-15P | 17.50 | 23.70 |
| A1253WR-SF-20P | 23.75 | 29.95 |
| A1253WR-SF-21P | 25.00 | 31.20 |
| A1253WR-SF-25P | 30.00 | 36.20 |
| A1253WR-SF-30P | 36.25 | 42.45 |



JOINT TECH ELECTRONIC IND. CO., LTD.
 JOY DAY INDUSTRIAL CO., LTD.

| | | |
|------------|-------------|--------|
| UNIT | SCALE | SHEET |
| mm | | 1 of 2 |
| DRAWN BY | APPROVED BY | |
| 李勤 | 董正一 | |
| 2005.12.08 | 2005.12.08 | |

TITLE:
 1.25mm PITCH
 90° WAFER-SMT TYPE
 ULTRA LOW PROFILE
 DRAW NO.: A1253WR-SF-XP
 REV. A2

| | | | |
|------|-------------|------------|-------------------|
| A2 | REVISE | 2008.01.25 | GENERAL TOLERANCE |
| A1 | REVISE | 2007.01.03 | X.X±0.25 |
| A0 | NEW RELEASE | 2005.12.08 | X.XX±0.15 |
| REV. | DESCRIPTION | DATE | X.XXX±0.05 |



X-ON Electronics

Largest Supplier of Electrical and Electronic Components

Click to view similar products for [Headers & Wire Housings](#) category:

Click to view products by [Joint Tech](#) manufacturer:

Other Similar products are found below :

[95000-104TRLF](#) [10135584-644402LF](#) [DF62W-EP2022PCA](#) [95000-106TRLF](#) [DF62W-2022SCA](#) [DF62W-EP2022PC](#) [2203348](#) [DF62W-2022SC](#) [1084018](#) [1029039](#) [1084017](#) [802-10-012-10-002000](#) [1112640](#) [1112639](#) [891-007-9SS-BST1T](#) [000-34000](#) [0008550134](#) [0009482033](#) [0009507031](#) [57102-F02-18ULF](#) [57102-S06-03LF](#) [57202-S52-04LF](#) [PCN6-15S-2.5E](#) [0039019024](#) [58102-G61-06LF](#) [582553-1](#) [0009485154](#) [0009508121](#) [0022285053](#) [0050291907](#) [018731A](#) [LY20-4P-DT1-P1E-BR](#) [02.125.8002.8](#) [60101931](#) [60598-1 \(Cut Strip\)](#) [M1625-3R/100](#) [61062-3](#) [61082-181009](#) [CSU011177004](#) [636-1427](#) [638009-1](#) [641938-9](#) [641991-4](#) [644168-1](#) [644827-2](#) [647662-1](#) [65039-019ELF](#) [65692-001LF](#) [65781-018](#) [65781-047](#)