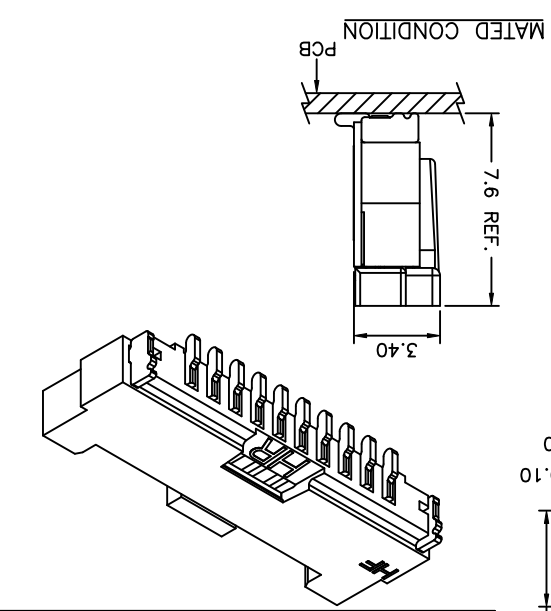


REV.	DESCRIPTION	DATE	NAME	X.XXX±0.05	 GENERAL TOLERANCE 2008.12.25 謝瑞清 謝瑞清
A3	EN1008030208	2010.08.03	陳敏	X.XX±0.15	
A4	EN1012300309	2011.02.17	陳敏	X.X±0.25	DRAWN BY 2013.01.03 周傑亮 周傑亮 2015.06.17 唐騰鳳
A5	EN109190398	2011.09.19	陳敏	ANGLE	
B0	EN1205170160	2012.05.21	陳敏	ANGLE	APPROVED BY 2008.12.25 謝瑞清 謝瑞清
B1	EN1207030214	2012.05.31	周傑亮	ANGLE	UNIT SCALE SHEET 1 : 1 1 of 2
B2	EN1303010062	2013.01.03	周傑亮	ANGLE	
B3	EN1506170003	2015.06.17	唐騰鳳	ANGLE	TITLE: 燦達電子工業股份有限公司 JOINT TECH ELECTRONIC IND. CO., LTD.
DRAW NO.:		A1253WVA-S-XPXXXXXXXXXX		REV. B3	

Dimensions		A		B		C	
Circuit	No.	A	B	C	A	B	C
30P	36.25	42.45	6.00				
25P	30.00	36.20	6.00				
20P	23.75	29.95	5.00				
15P	17.50	23.70	5.00				
14P	16.25	22.45	5.00				
13P	15.00	21.20	5.00				
12P	13.75	19.95	5.00				
11P	12.50	18.70	5.00				
10P	11.25	17.45	3.50				
09P	10.00	16.20	3.50				
08P	8.75	14.95	3.50				
07P	7.50	13.70	3.50				
06P	6.25	12.45	3.50				
05P	5.00	11.20	3.50				
04P	3.75	9.95	3.50				
03P	2.50	8.70	3.50				
02P	1.25	7.45	3.50				



**P/N LEGEND**

① Series No. A1253 WVA-S-XP N X B XX X 00 L

② Connector type: WVA=Vertical A Type

③ Mounting type: S=SMT

④ No. of circuits

⑤ Material: 6=Nylon 6T-V0; L=LCP-V0

⑥ Color: B=Black

⑦ Pin Material: Brass/Gold-flash

⑧ Nickel-plated 30u" ↓

⑨ Solder Tabs: Brass/Gold-flash

⑩ Nickel-plated 30u" ↓

⑪ Material: LCP/Nylon 6T,UL94V-0

⑫ Color: Natural(Black)

⑬ SPECIFICATIONS

Current Rating: 1A AC,DC

Voltage Rating: 150V AC,DC

Temperature Range: -25°C ~ +85°C

Contact Resistance: 20mΩ Max.

Insulation Resistance: 500MΩ Min.

Withstanding Voltage: 500V AC/minute

⑭ Plating code for contacts: G1=Gold-flash;T1=Matte Tin-plated

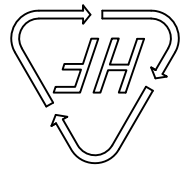
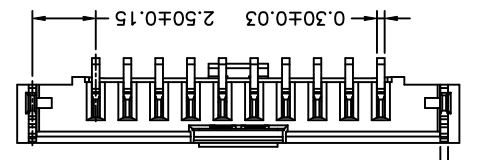
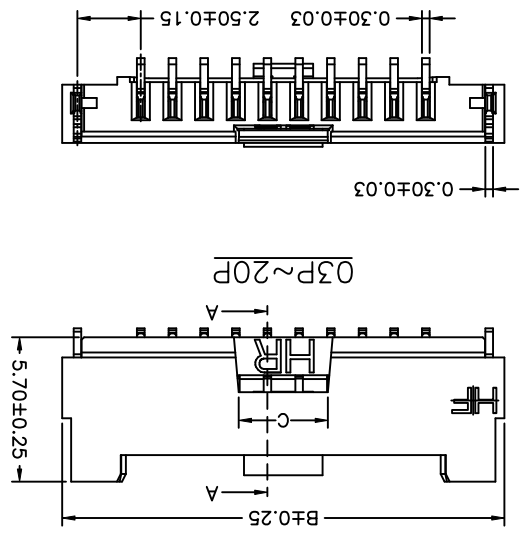
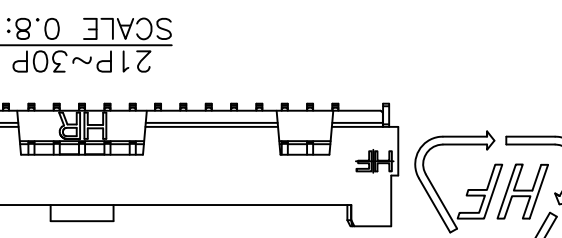
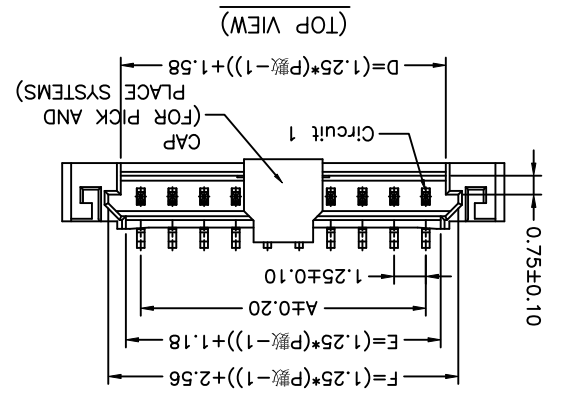
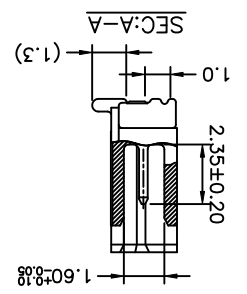
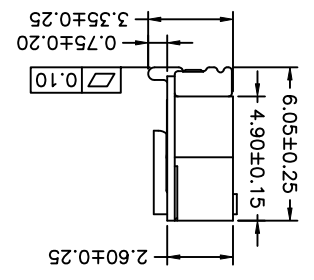
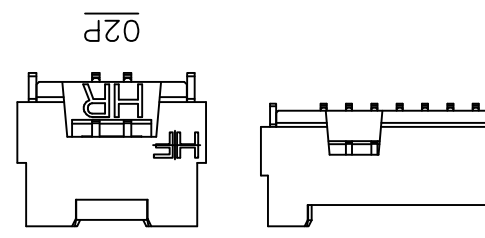
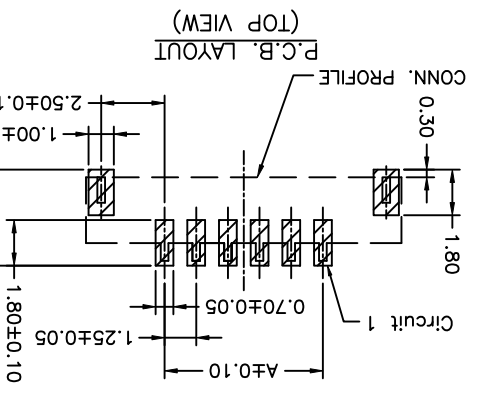
⑮ Gold Flash on Solder Area

⑯ S5=Gold-plated 15u" on Contact Area;

⑰ Plating code for contacts: G=Gold-flash;T=Matte Tin-plated

⑱ Option code:00=Standard

⑲ Packing code: L=Tape&Reel(With cap)



## X-ON Electronics

Largest Supplier of Electrical and Electronic Components

*Click to view similar products for [Headers & Wire Housings](#) category:*

*Click to view products by [Joint Tech](#) manufacturer:*

Other Similar products are found below :

[95000-104TRLF](#) [10135584-644402LF](#) [DF62W-EP2022PCA](#) [95000-106TRLF](#) [DF62W-2022SCA](#) [DF62W-EP2022PC](#) [2203348](#) [DF62W-2022SC](#) [1084018](#) [1029039](#) [1084017](#) [802-10-012-10-002000](#) [1112640](#) [1112639](#) [891-007-9SS-BST1T](#) [000-34000](#) [0008550134](#) [0009482033](#) [0009507031](#) [57102-F02-18ULF](#) [57102-S06-03LF](#) [57202-S52-04LF](#) [PCN6-15S-2.5E](#) [0039019024](#) [58102-G61-06LF](#) [582553-1](#) [0009485154](#) [0009508121](#) [0022285053](#) [0050291907](#) [018731A](#) [LY20-4P-DT1-P1E-BR](#) [02.125.8002.8](#) [60101931](#) [60598-1 \(Cut Strip\)](#) [M1625-3R/100](#) [61062-3](#) [61082-181009](#) [CSU011177004](#) [636-1427](#) [638009-1](#) [641938-9](#) [641991-4](#) [644168-1](#) [644827-2](#) [647662-1](#) [65039-019ELF](#) [65692-001LF](#) [65781-018](#) [65781-047](#)