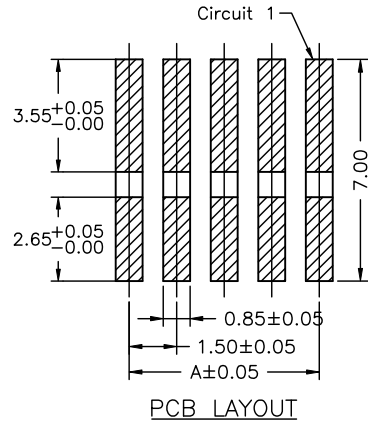
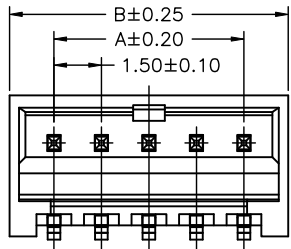


P/N LEGEND

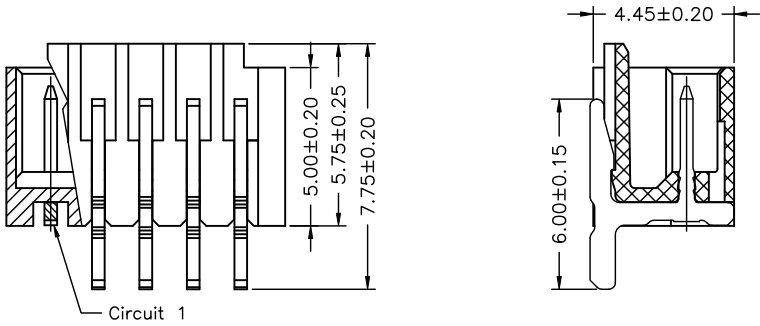
A1501	WR	S	XP	N	L	N	XX	N	00	R
①	②	③	④	⑤	⑥	⑦	⑧	⑨	⑩	⑪

① Series No.  
 ② Connector type: WR=Right angle  
 ③ Mounting type: S=SMT  
 ④ No. of circuits  
 ⑤ N=Halogen Free  
 ⑥ Material: L=LCP,94-V0  
 ⑦ Color: N=Natural(Beige)  
 ⑧ Plating code for contacts: T1=Mattn Tin-Plated  
 G1=Gold-flash  
 ⑨ Plating code: N=Non-plating  
 ⑩ Option code: 00=Normal/type  
 ⑪ Packing code: R=Tape & Reel(Without Cap or Myar)

Current Rating: 3A AC,DC  
 Voltage Rating: 350V AC,DC  
 Temperature Range: -25°C ~ +85°C  
 Contact Resistance: 20mΩ Max.  
 Insulation Resistance: 1000MΩ Min.  
 Withstanding Voltage: 500V AC/minute  
 Pin Material: Brass  
 Material: LCP,UL94V-0  
 Color: Natural(Beige)



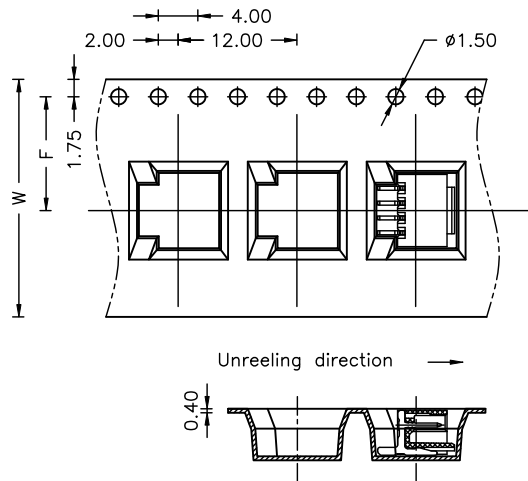
PART NO.	Dimensions	
	A	B
02P	1.50	4.30
03P	3.00	5.80
04P	4.50	7.30
05P	6.00	8.80
06P	7.50	10.30
07P	9.00	11.80
08P	10.50	13.30
09P	12.00	14.80
10P	13.50	16.30
11P	15.00	17.80
12P	16.50	19.30
13P	18.00	20.80
14P	19.50	22.30
15P	21.00	23.80



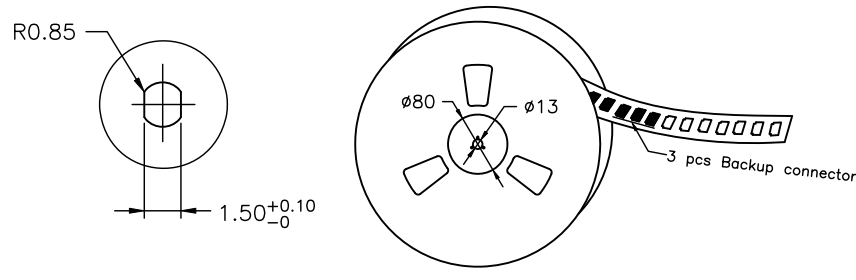
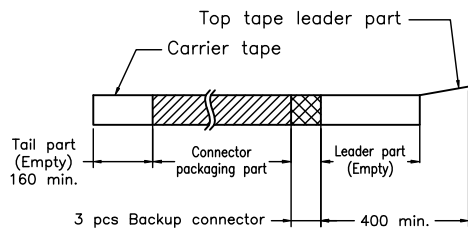
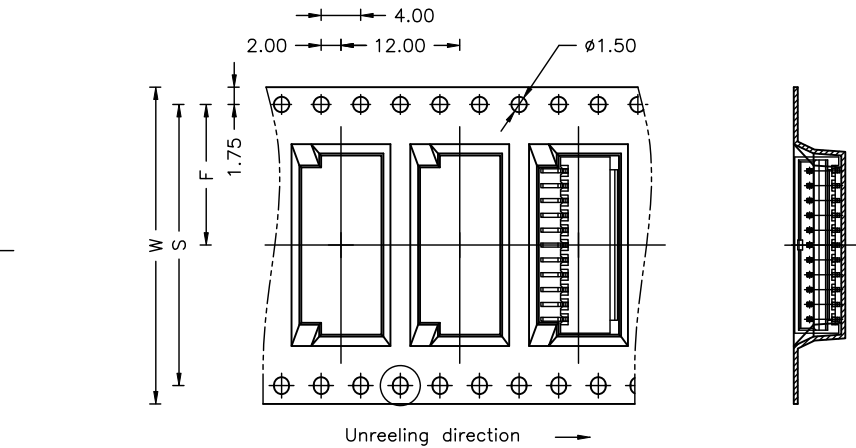
				燦達電子工業股份有限公司 JOINT TECH ELECTRONIC IND. CO., LTD.		
		UNIT	SCALE	SHEET	TITLE:	
		mm	1 : 1	1 of 2	<b>1.50mm PITCH</b> <b>90° WAFER-SMT TYPE</b>	
A4	EN1809190001	2018.09.26	焦秋蘭	DRAWN BY 唐騰鳳		APPROVED BY 張子波
A3	EN1806280001	2018.06.28	焦秋蘭	2013.10.17		2013.10.17
A2	EN1403100004	2014.02.14	周傑亮	GENERAL TOLERANCE		
A1	EN1312190439	2013.12.19	唐騰鳳	X. X±0.25		ANGLE±
A0	NEW RELEASE	2013.12.05	唐騰鳳	X. XX±0.15		
REV.	DESCRIPTION	DATE	NAME	X. XXX±0.05		DRAW NO. : A1501WR-S-XPNXXXXXXXXX
					REV. A4	



2~9 Contacts



10~15 Contacts



Number of Contacts	W±0.3	F±0.1	S±0.1	Q'ty/Reel
02P	16	7.50	/	1,000
03P	16	7.50		1,000
04P	24	11.50		1,000
05P	24	11.50		1,000
06P	24	11.50		1,000
07P	24	11.50		1,000
08P	24	11.50		1,000
09P	24	11.50		1,000
10P	32	14.20		28.40
11P	32	14.20	28.40	1,000
12P	32	14.20	28.40	1,000
13P	32	14.20	28.40	1,000
14P	44	20.20	40.40	1,000
15P	44	20.20	40.40	1,000

				燦達電子工業股份有限公司 JOINT TECH ELECTRONIC IND. CO., LTD.			
				UNIT	SCALE	SHEET	TITLE:
				mm	1 : 1	2 of 2	
A4	EN1809190001	2018.09.26	焦秋蘭	DRAWN BY 唐騰鳳		APPROVED BY 張子波	
A3	EN1806280001	2018.06.28	焦秋蘭	2013.10.17		2013.10.17	
A2	EN1403100004	2014.02.14	周傑亮	GENERAL TOLERANCE			
A1	EN1312190439	2013.12.19	唐騰鳳	X. X±0.25	ANGLE±		
A0	NEW RELEASE	2013.12.05	唐騰鳳	X. XX±0.15			
REV.	DESCRIPTION	DATE	NAME	X. XXX±0.05			
DRAW NO. : A1501WR-S-XPXXXXXXX							REV. A4

1.50mm PITCH  
90° WAFER-SMT TYPE  
TAPING SPEC.

## X-ON Electronics

Largest Supplier of Electrical and Electronic Components

*Click to view similar products for [Headers & Wire Housings](#) category:*

*Click to view products by [Joint Tech](#) manufacturer:*

Other Similar products are found below :

[57102-F02-18ULF](#) [58102-G61-06LF](#) [0009485154](#) [009176003701906](#) [0050291907](#) [02.125.8002.8](#) [609-3404](#) [61062-3](#) [622-0430](#) [622-3653LF](#)  
[63453-116](#) [636-1030](#) [636-1427](#) [636-3427](#) [636-4007](#) [641938-9](#) [644827-2](#) [65495-038](#) [65692-001LF](#) [65781-018](#) [65781-047](#) [65817-010LF](#)  
[65817-015LF](#) [66207-023LF](#) [67016-026LF](#) [67095-007LF](#) [68631-112](#) [68645-018](#) [68648-049](#) [699319-000](#) [70.362.1628.0](#) [70-4210](#) [70-4226B](#)  
[70-4853B](#) [707-5020](#) [707-5028](#) [71.350.2428.0](#) [71961-016LF](#) [733-134](#) [754199-000](#) [760-3052](#) [787-8014-00](#) [FCN-367T-T012/H](#) [80.063.4001.1](#)  
[800-90-001-10-001000](#) [800-90-010-10-002000](#) [801-43-002-10-013000](#) [801-43-006-10-002000](#) [803-41-018-10-001000](#) [803-43-014-20-](#)  
[001000](#)