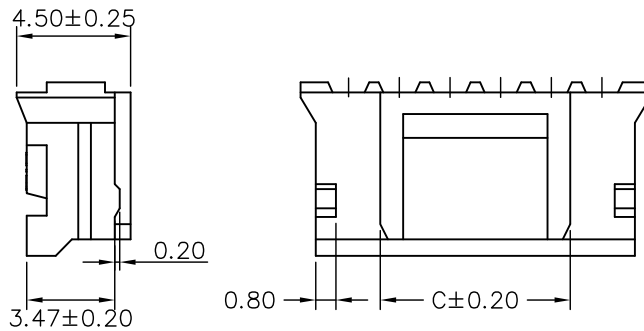
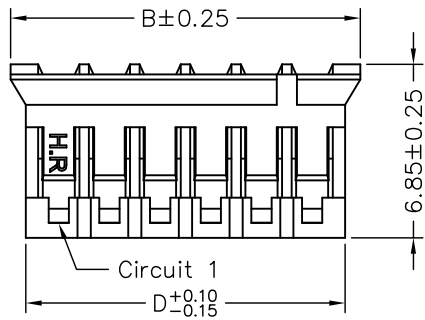


P/N LEGEND

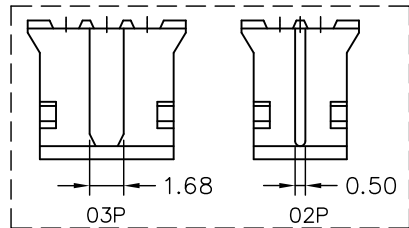
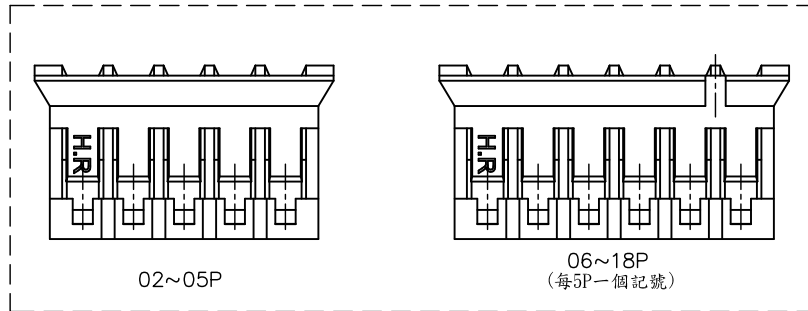
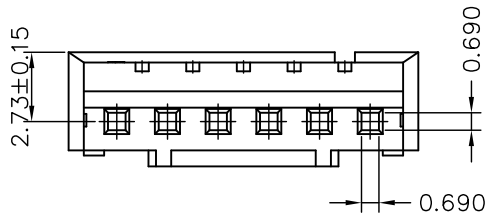
|                            |                           |                 |                |                         |                         |                              |                             |                          |                     |
|----------------------------|---------------------------|-----------------|----------------|-------------------------|-------------------------|------------------------------|-----------------------------|--------------------------|---------------------|
| A2001 H-XP N 0 X NP N 00 G |                           |                 |                |                         |                         |                              |                             |                          |                     |
| ①                          | ②                         | ③               | ④              | ⑤                       | ⑥                       | ⑦                            | ⑧                           | ⑨                        | ⑩                   |
| Series No.                 | Connector type: H=Housing | No. of circuits | N=Halogen Free | Material: 0=Nylon 66-V0 | Color: W=White; B=Black | Plating code: NP=Non-plating | Plating code: N=Non-plating | Option code: 00=Standard | Packing code: G=Bag |

SPECIFICATIONS

Current Rating: 2A AC,DC  
 Voltage Rating: 100V AC,DC  
 Temperature Range: -25°C ~ +85°C  
 Contact Resistance: 10mΩ Max.  
 Insulation Resistance: 1000MΩ Min.  
 Withstanding Voltage: 800V AC/minute  
 Material: Nylon 66,UL94V-0  
 Color: White&Black



| Circuit No. | Dimensions |       |       |       |
|-------------|------------|-------|-------|-------|
|             | A          | B     | C     | D     |
| 02P         | 2.00       | 5.80  | 0.50  | 4.60  |
| 03P         | 4.00       | 7.80  | 1.68  | 6.60  |
| 04P         | 6.00       | 9.80  | 3.50  | 8.60  |
| 05P         | 8.00       | 11.80 | 5.50  | 10.60 |
| 06P         | 10.00      | 13.80 | 7.50  | 12.60 |
| 07P         | 12.00      | 15.80 | 9.50  | 14.60 |
| 08P         | 14.00      | 17.80 | 11.50 | 16.60 |
| 09P         | 16.00      | 19.80 | 13.50 | 18.60 |
| 10P         | 18.00      | 21.80 | 15.50 | 20.60 |
| 11P         | 20.00      | 23.80 | 17.50 | 22.60 |
| 12P         | 22.00      | 25.80 | 19.50 | 24.60 |
| 13P         | 24.00      | 27.80 | 21.50 | 26.60 |
| 14P         | 26.00      | 29.80 | 23.50 | 28.60 |
| 15P         | 28.00      | 31.80 | 25.50 | 30.60 |
| 16P         | 30.00      | 33.80 | 27.50 | 32.60 |
| 17P         | 32.00      | 35.80 | 29.50 | 34.60 |
| 18P         | 34.00      | 37.80 | 31.50 | 36.60 |



SEC 1:1.25

|  |  |             |  |                     |       |                         |        |
|--|--|-------------|--|---------------------|-------|-------------------------|--------|
| 燦達電子工業股份有限公司<br>JOINT TECH ELECTRONIC IND. CO., LTD. |  |             |  | UNIT                | SCALE | SHEET                   | TITLE: |
|  |  |             |  | mm                  | 1 : 1 | 1 of 1                  |        |
| DRAWN BY   |  | APPROVED BY |  | GENERAL TOLERANCE   |       | 2.00mm PITCH<br>HOUSING |        |
| 陳敏   |  | 董正一         |  |                     |       |                         |        |
| 2011.06.28   |  | 2011.06.28  |  |                     |       |                         |        |
| X.X±0.25   |  | ANGLE±      |  |                     |       |                         |        |
| X.XX±0.15  |  |             |  | DRAW NO. :          |       | REV.                    |        |
| X.XXX±0.05   |  |             |  | A2001H-XPNXXXXXXXXX |       | A0                      |        |

## X-ON Electronics

Largest Supplier of Electrical and Electronic Components

*Click to view similar products for [Headers & Wire Housings](#) category:*

*Click to view products by [Joint Tech](#) manufacturer:*

Other Similar products are found below :

[57102-F02-18ULF](#) [58102-G61-06LF](#) [582553-1](#) [009176003701906](#) [01.001.5753.1](#) [0050291907](#) [02.125.8002.8](#) [609-3404](#) [61062-3](#)  
[CSU011177004](#) [622-0430](#) [622-3653LF](#) [63453-116](#) [636-1030](#) [636-1427](#) [636-3427](#) [636-4007](#) [641938-9](#) [65495-038](#) [65692-001LF](#) [65781-018](#)  
[65781-047](#) [65817-010LF](#) [65817-015LF](#) [66207-023LF](#) [67095-007LF](#) [67601157](#) [68631-112](#) [68645-018](#) [699319-000](#) [M90C108951C](#)  
[70.362.1628.0](#) [70-4210](#) [70-4226B](#) [70-4853B](#) [707-5028](#) [71.350.2428.0](#) [71961-016LF](#) [733-134](#) [733-162](#) [754199-000](#) [760-3052](#) [80.063.4001.1](#)  
[800-90-001-10-001000](#) [800-90-010-10-002000](#) [801-43-002-10-013000](#) [801-43-006-10-002000](#) [803-41-018-10-001000](#) [803-43-024-10-](#)  
[001000](#) [803-93-012-10-001000](#)