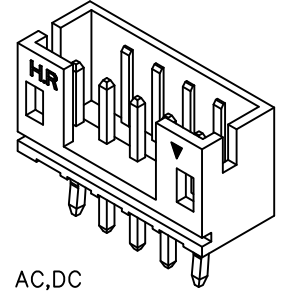


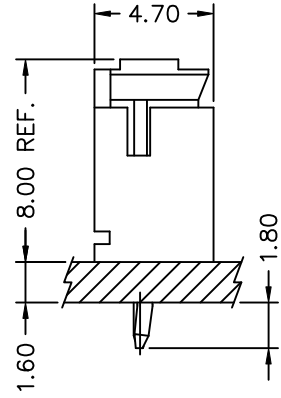
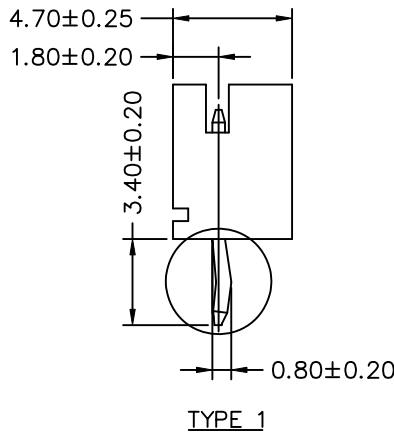
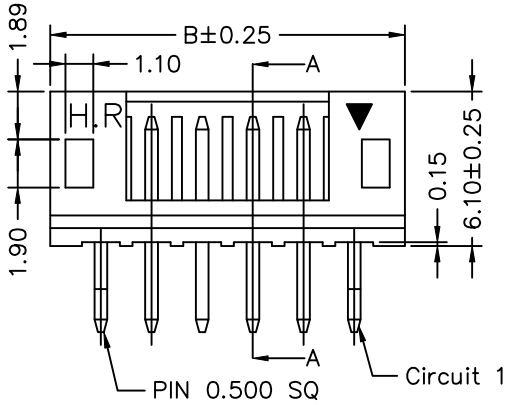
P/N LEGEND

A2001	WV	XP	XXX
①	②	③	④

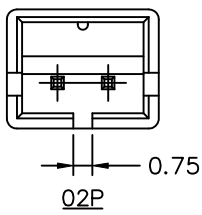
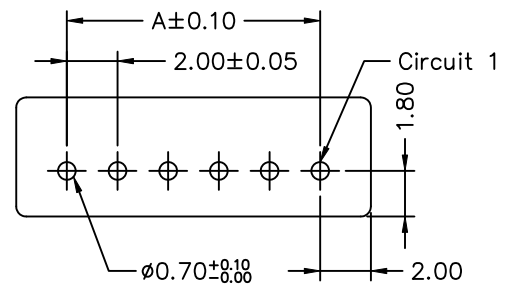
① Series No.  
 ② Connector type: WV=Vertical  
 ③ No. of circuits  
 ④ Option code:  
 1=Nylon 66-V0, Color: White, Tin-plated  
 1BK=Nylon 66-V0, Color: Black, Tin-plated  
 1BL=Nylon 66-V0, Color: Blue(660C), Tin-plated  
 1GR=Nylon 66-V0, Color: Green(347C), Tin-plated  
 146=Nylon 46-V0, Color: Beige, Tin-plated  
 011=Nylon 46-V0, Color: Black, Tin-plated  
 16T=Nylon 6T-V0, Color: Beige, Tin-plated  
 S1=Nylon 66+15%GF-V0, Color: White, Tin-plated  
 1NF=Nylon 66-V2,NO flame,Color: Natural,Tin-plated



SPECIFICATIONS  
 Current Rating: 2A AC,DC  
 Voltage Rating: 100V AC,DC  
 Temperature Range: -25°C ~ +85°C  
 Contact Resistance: 10mΩ Max.  
 Insulation Resistance: 1000MΩ Min.  
 Withstanding Voltage: 800V AC/minute  
 Pin Material: Brass



Circuit No.	Dimensions		
	A	B	C
02P	2.00	6.00	4.80
03P	4.00	8.00	6.80
04P	6.00	10.00	8.80
05P	8.00	12.00	10.80
06P	10.00	14.00	12.80
07P	12.00	16.00	14.80
08P	14.00	18.00	16.80
09P	16.00	20.00	18.80
10P	18.00	22.00	20.80
11P	20.00	24.00	22.80
12P	22.00	26.00	24.80
13P	24.00	28.00	26.80
14P	26.00	30.00	28.80
15P	28.00	32.00	30.80
16P	30.00	34.00	32.80
17P	32.00	36.00	34.80
18P	34.00	38.00	36.80



				UNIT	SCALE	SHEET	TITLE:				
				mm	1 : 1	1 of 1					
DRAWN BY		APPROVED BY		2.00mm PITCH 180° WAFER, TYPE 1							
李勤		呂長祈									
2006.07.21		2006.07.21									
GENERAL TOLERANCE								DRAW NO. :			
X. X±0.25		ANGLE±						A2001WV-XP1			
X. XX±0.15				B1							
X. XXX±0.05											
REV.	DESCRIPTION	DATE	NAME								
B1	取消紅色短料號	2017.04.14	任運宏								
B0	EN1607250001	2016.06.23	楚新璋								
A5	EN1301220022	2013.01.22	郭木恩								
A4	EN1211080364	2012.11.13	陳錦展								

## X-ON Electronics

Largest Supplier of Electrical and Electronic Components

*Click to view similar products for [Headers & Wire Housings](#) category:*

*Click to view products by [Joint Tech](#) manufacturer:*

Other Similar products are found below :

[57102-F02-18ULF](#) [58102-G61-06LF](#) [0009485154](#) [009176003701906](#) [0050291907](#) [02.125.8002.8](#) [609-3404](#) [61062-3](#) [622-0430](#) [622-3653LF](#)  
[63453-116](#) [636-1030](#) [636-1427](#) [636-3427](#) [636-4007](#) [641938-9](#) [644827-2](#) [65495-038](#) [65692-001LF](#) [65781-018](#) [65781-047](#) [65817-010LF](#)  
[65817-015LF](#) [66207-023LF](#) [67016-026LF](#) [67095-007LF](#) [68631-112](#) [68645-018](#) [68648-049](#) [699319-000](#) [70.362.1628.0](#) [70-4210](#) [70-4226B](#)  
[70-4853B](#) [707-5020](#) [707-5028](#) [71.350.2428.0](#) [71961-016LF](#) [733-134](#) [754199-000](#) [760-3052](#) [787-8014-00](#) [FCN-367T-T012/H](#) [80.063.4001.1](#)  
[800-90-010-10-002000](#) [801-43-002-10-013000](#) [801-43-006-10-002000](#) [803-41-018-10-001000](#) [803-43-014-20-001000](#) [803-43-024-10-001000](#)