
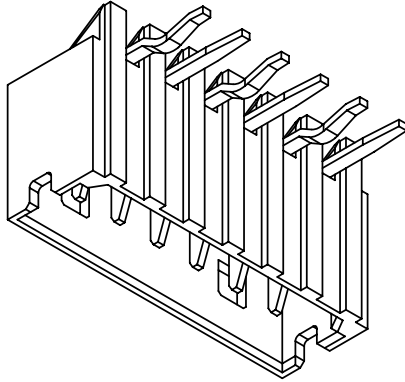
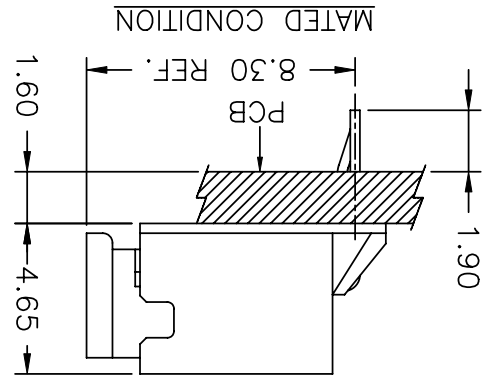
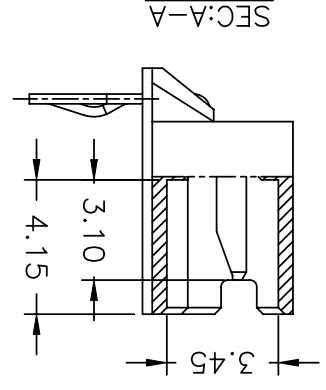
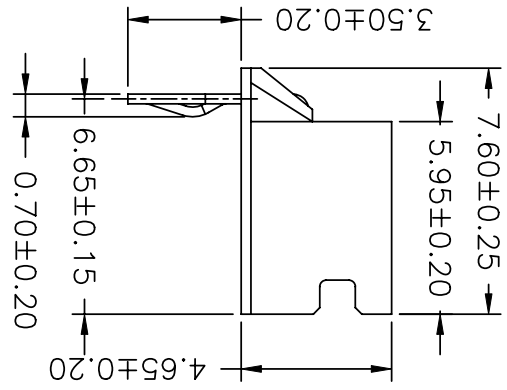
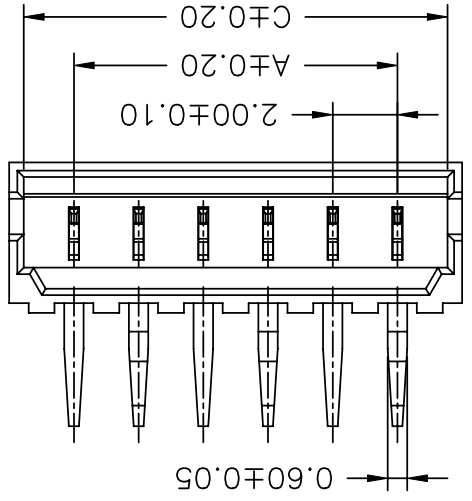
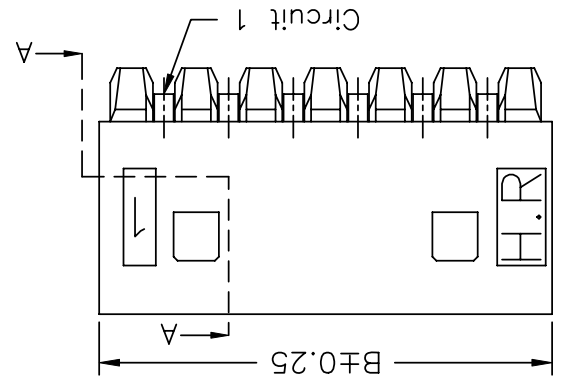
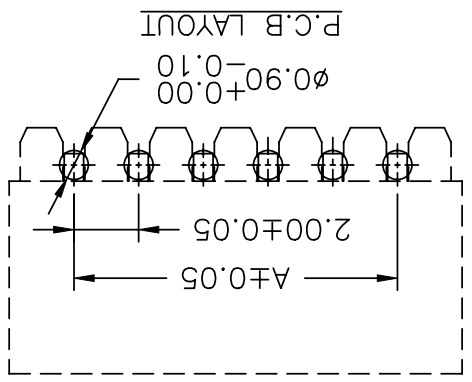


REV.	B2	EN1203120057	2012.05.17	陳錦展	X.XXX±0.15	
DESCRIPTION					X.XXX±0.05	
DATE						
NAME						
DRAWN BY	董正一	2004.09.07				
APPROVED BY	董正一	2004.09.07				
GENERAL TOLERANCE						
ANGLE±	X.X±0.25					
SCALE	1:1	1 of 1				
SHEET						
TITLE:	JOINT TECH ELECTRONIC IND. CO., LTD.					
 燦達電子工業股份有限公司						
UNIT	mm					
REV.	B2	EN1203120057	2012.05.17	陳錦展	X.XXX±0.15	
DESCRIPTION					X.XXX±0.05	
DATE						
NAME						
DRAWN BY	董正一	2004.09.07				
APPROVED BY	董正一	2004.09.07				
GENERAL TOLERANCE						
ANGLE±	X.X±0.25					
SCALE	1:1	1 of 1				
SHEET						
TITLE:	2.00mm PITCH 90° WAFER					
UNIT	mm					
REV.	B2	EN1203120057	2012.05.17	陳錦展	X.XXX±0.15	
DESCRIPTION					X.XXX±0.05	
DATE						
NAME						
DRAWN BY	董正一	2004.09.07				
APPROVED BY	董正一	2004.09.07				
GENERAL TOLERANCE						
ANGLE±	X.X±0.25					
SCALE	1:1	1 of 1				
SHEET						
TITLE:	DRAW NO.: A2002WR-XP					



Circuit	Dimensions		
	No.	A	B
02P	2.00	6.00	5.10
03P	4.00	8.00	7.10
04P	6.00	10.00	9.10
05P	8.00	12.00	11.10
06P	10.00	14.00	13.10
07P	12.00	16.00	15.10
08P	14.00	18.00	17.10
09P	16.00	20.00	19.10
10P	18.00	22.00	21.10
11P	20.00	24.00	23.10
12P	22.00	26.00	25.10
13P	24.00	28.00	27.10
14P	26.00	30.00	29.10
15P	28.00	32.00	31.10

SPECIFICATIONS
 Current Rating: 2A AC,D.C
 Voltage Rating: 125V AC,D.C
 Temperature Range: -25°C ~ +85°C
 Contact Resistance: 20mΩ Max.
 Insulation Resistance: 1000MΩ Min.
 Withstanding Voltage: 800V AC/minute
 Pin Material: Phosphor Bronze
 Material: Nylon 66,UL94V-0

P/N LEGEND
 A2002 WR-XP XXX
 ① Series No.
 ② Connector type: WR=Right angle
 ③ No. of circuits
 ④ Option code:
 Blank=Color:Beige(4685C), Tin-plated
 BK=Color:Black, Tin-plated

X-ON Electronics

Largest Supplier of Electrical and Electronic Components

Click to view similar products for [Headers & Wire Housings](#) category:

Click to view products by [Joint Tech](#) manufacturer:

Other Similar products are found below :

[95000-104TRLF](#) [10135584-644402LF](#) [DF62W-EP2022PCA](#) [95000-106TRLF](#) [DF62W-2022SCA](#) [DF62W-EP2022PC](#) [2203348](#) [DF62W-2022SC](#) [1084018](#) [1029039](#) [1084017](#) [802-10-012-10-002000](#) [1112640](#) [1112639](#) [891-007-9SS-BST1T](#) [000-34000](#) [0008550134](#) [0009482033](#) [0009507031](#) [57102-F02-18ULF](#) [57102-S06-03LF](#) [57202-S52-04LF](#) [PCN6-15S-2.5E](#) [0039019024](#) [58102-G61-06LF](#) [582553-1](#) [0009485154](#) [0009508121](#) [0022285053](#) [0050291907](#) [018731A](#) [LY20-4P-DT1-P1E-BR](#) [02.125.8002.8](#) [60101931](#) [60598-1 \(Cut Strip\)](#) [M1625-3R/100](#) [61062-3](#) [61082-181009](#) [CSU011177004](#) [636-1427](#) [638009-1](#) [641938-9](#) [641991-4](#) [644168-1](#) [644827-2](#) [647662-1](#) [65039-019ELF](#) [65692-001LF](#) [65781-018](#) [65781-047](#)