

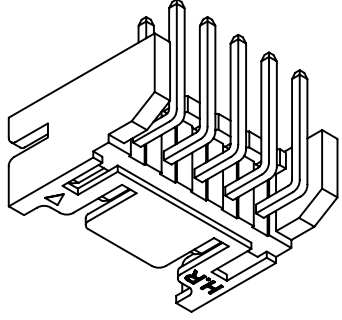
P/N LEGEND

A2004 WR-2XNP XXX
 ① Series No.
 ② Connector type: WR=Right angle
 ③ No. of circuits
 ④ Option code:

Blank=Nylon 66-V0, Gray(7528C), Tin-plated, Dim. F:3.00mm
 WH=Nylon 66-V0, Natural(White), Tin-plated, Dim. F:3.00mm
 BL=Nylon 66-V0, Blue(660C), Tin-plated, Dim. F:3.00mm
 GR=Nylon 66-V0, Green(347C), Tin-plated, Dim. F:3.00mm
 46=Nylon 46-V0, Natural(Beige), Tin-plated, Dim. F:3.00mm
 46G=Nylon 46-V0, Natural(Beige), Gold-flash, Dim. F:3.00mm
 Y01=Nylon 66-V0, Gray(7528C), Tin-plated, Dim. F:2.50mm
 Y11=Nylon 46-V0, Natural(Beige), Tin-plated, Dim. F:2.50mm
 Y21=Nylon 46-V0, Natural(Beige), Gold-flash, Dim. F:2.50mm
 Y02=Nylon 66-V0, Gray(7528C), Tin-plated, Dim. F:2.00mm
 Y12=Nylon 46-V0, Natural(Beige), Tin-plated, Dim. F:2.00mm

SPECIFICATIONS

Current Rating: 3A AC,DC
 Voltage Rating: 250V AC,DC
 Temperature Range: -25°C ~ +85°C
 Contact Resistance: 10mΩ Max.
 Insulation Resistance: 1000MΩ Min.
 Withstanding Voltage: 800V AC/minute
 Pin Material: Brass



Circuit	Dimensions			
	A	B	C	D
2X02P	2.00	6.00	4.70	---
2X03P	4.00	8.00	6.70	2.00
2X04P	6.00	10.00	8.70	4.00
2X05P	8.00	12.00	10.70	6.00
2X06P	10.00	14.00	12.70	8.00
2X07P	12.00	16.00	14.70	10.00
2X08P	14.00	18.00	16.70	12.00
2X09P	16.00	20.00	18.70	14.00
2X10P	18.00	22.00	20.70	16.00
2X11P	20.00	24.00	22.70	18.00

Circuit	Dimensions			
	A	B	C	D
2X02P	2.00	6.00	4.70	---
2X03P	4.00	8.00	6.70	2.00
2X04P	6.00	10.00	8.70	4.00
2X05P	8.00	12.00	10.70	6.00
2X06P	10.00	14.00	12.70	8.00
2X07P	12.00	16.00	14.70	10.00
2X08P	14.00	18.00	16.70	12.00
2X09P	16.00	20.00	18.70	14.00
2X10P	18.00	22.00	20.70	16.00
2X11P	20.00	24.00	22.70	18.00

燦達電子工業股份有限公司
 JOINT TECH ELECTRONIC IND. CO., LTD.

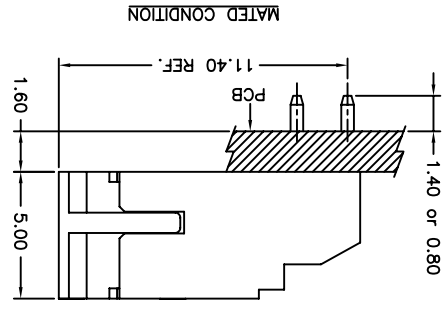
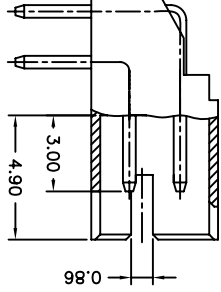
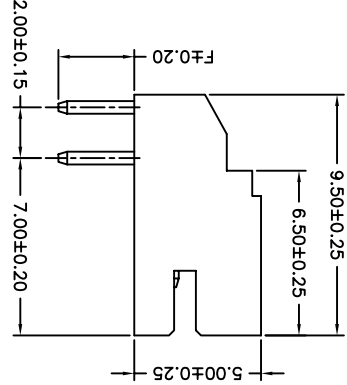
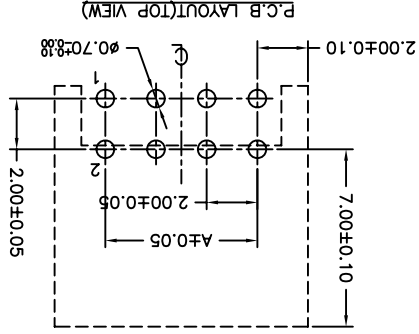
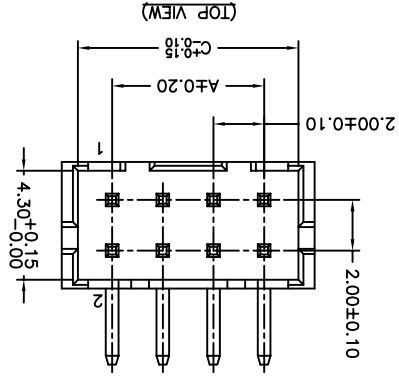


TITLE:

2.00mm PITCH
 90° WAFER

UNIT	SCALE	SHEET
mm	1 : 1	1 of 1
DRAWN BY	APPROVED BY	DATE
陳錦慶	姜正一	2011.02.01
NAME	GENERAL TOLERANCE	ANGLE
陳錦慶	X.XX±0.15	X.XX±0.25
DATE		
2011.03.25		
DESCRIPTION		
EN112050311		
REV.		
B2		
B1		
EN103280080		
X.XX±0.15		
REV.		
B2		

DRAWN NO.:	A2004WR-2XNP
REV.	B2



X-ON Electronics

Largest Supplier of Electrical and Electronic Components

Click to view similar products for [Headers & Wire Housings](#) category:

Click to view products by [Joint Tech](#) manufacturer:

Other Similar products are found below :

[95000-104TRLF](#) [10135584-644402LF](#) [DF62W-EP2022PCA](#) [95000-106TRLF](#) [DF62W-2022SCA](#) [DF62W-EP2022PC](#) [2203348](#) [DF62W-2022SC](#) [1084018](#) [1029039](#) [1084017](#) [802-10-012-10-002000](#) [1112640](#) [1112639](#) [891-007-9SS-BST1T](#) [000-34000](#) [0008550134](#) [0009482033](#) [0009507031](#) [57102-F02-18ULF](#) [57102-S06-03LF](#) [57202-S52-04LF](#) [PCN6-15S-2.5E](#) [0039019024](#) [58102-G61-06LF](#) [582553-1](#) [0009485154](#) [0009508121](#) [0022285053](#) [0050291907](#) [018731A](#) [LY20-4P-DT1-P1E-BR](#) [02.125.8002.8](#) [60101931](#) [60598-1 \(Cut Strip\)](#) [M1625-3R/100](#) [61062-3](#) [61082-181009](#) [CSU011177004](#) [636-1427](#) [638009-1](#) [641938-9](#) [641991-4](#) [644168-1](#) [644827-2](#) [647662-1](#) [65039-019ELF](#) [65692-001LF](#) [65781-018](#) [65781-047](#)