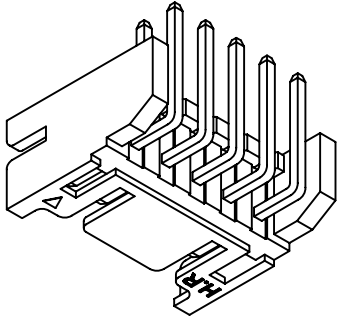


REV.	DESCRIPTION	DATE	NAME	X.XXX±0.05	ANGLE
B2	EN112050811	2011.12.05	陳錦慶	X.X±0.25	2001.02.01
B1	EN1103280080	2011.03.25	陳錦慶	X.XX±0.15	2001.02.01
GENERAL TOLERANCE		2001.02.01			
DRAWN BY		2001.02.01			
APPROVED BY		2001.02.01			
UNIT		mm			
SCALE		1 : 1			
SHEET		1 of 1			

Circuit	Dimensions			
	No.	A	B	C
2X02P	2.00	6.00	4.70	---
2X03P	4.00	8.00	6.70	2.00
2X04P	6.00	10.00	8.70	4.00
2X05P	8.00	12.00	10.70	6.00
2X06P	10.00	14.00	12.70	8.00
2X07P	12.00	16.00	14.70	10.00
2X08P	14.00	18.00	16.70	12.00
2X09P	16.00	20.00	18.70	14.00
2X10P	18.00	22.00	20.70	16.00
2X11P	20.00	24.00	22.70	18.00

SPECIFICATIONS
 Pin Material: Brass
 Withstanding Voltage: 800V AC/minute
 Insulation Resistance: 1000MΩ Min.
 Contact Resistance: 10mΩ Max.
 Temperature Range: -25°C ~ +85°C
 Voltage Rating: 250V AC,DC
 Current Rating: 3A AC,DC



Blank=Nylon 66-V0, Gray(7528C), Tin-plated, Dim. F:3.00mm
 WH=Nylon 66-V0, Natural(White), Tin-plated, Dim. F:3.00mm
 BL=Nylon 66-V0, Blue(660C), Tin-plated, Dim. F:3.00mm
 GR=Nylon 66-V0, Green(347C), Tin-plated, Dim. F:3.00mm
 46=Nylon 46-V0, Natural(Beige), Tin-plated, Dim. F:3.00mm
 46G=Nylon 46-V0, Natural(Beige), Gold-flash, Dim. F:3.00mm
 Y01=Nylon 66-V0, Gray(7528C), Tin-plated, Dim. F:2.50mm
 Y11=Nylon 46-V0, Natural(Beige), Tin-plated, Dim. F:2.50mm
 Y21=Nylon 46-V0, Natural(Beige), Gold-flash, Dim. F:2.50mm
 Y02=Nylon 66-V0, Gray(7528C), Tin-plated, Dim. F:2.00mm
 Y12=Nylon 46-V0, Natural(Beige), Tin-plated, Dim. F:2.00mm

P/N LEGEND
 A2004 WR-2XNP XXX

① Series No.
 ② Connector type: WR=Right angle
 ③ No. of circuits
 ④ Option code:

2004 WR-2XNP XXX

TITLE: 燦達電子工業股份有限公司
 JOINT TECH ELECTRONIC IND. CO., LTD.

2.00mm PITCH
 90° WAFER

DRAW NO.: A2004WR-2XNP
 REV. B2

X-ON Electronics

Largest Supplier of Electrical and Electronic Components

Click to view similar products for [Headers & Wire Housings](#) category:

Click to view products by [Joint Tech](#) manufacturer:

Other Similar products are found below :

[95000-104TRLF](#) [10135584-644402LF](#) [DF62W-EP2022PCA](#) [95000-106TRLF](#) [DF62W-2022SCA](#) [DF62W-EP2022PC](#) [2203348](#) [DF62W-2022SC](#) [1084018](#) [1029039](#) [1084017](#) [802-10-012-10-002000](#) [1112640](#) [1112639](#) [891-007-9SS-BST1T](#) [000-34000](#) [0008550134](#) [0009482033](#) [0009507031](#) [57102-F02-18ULF](#) [57102-S06-03LF](#) [57202-S52-04LF](#) [PCN6-15S-2.5E](#) [0039019024](#) [58102-G61-06LF](#) [582553-1](#) [0009485154](#) [0009508121](#) [0022285053](#) [0050291907](#) [018731A](#) [LY20-4P-DT1-P1E-BR](#) [02.125.8002.8](#) [60101931](#) [60598-1 \(Cut Strip\)](#) [M1625-3R/100](#) [61062-3](#) [61082-181009](#) [CSU011177004](#) [636-1427](#) [638009-1](#) [641938-9](#) [641991-4](#) [644168-1](#) [644827-2](#) [647662-1](#) [65039-019ELF](#) [65692-001LF](#) [65781-018](#) [65781-047](#)