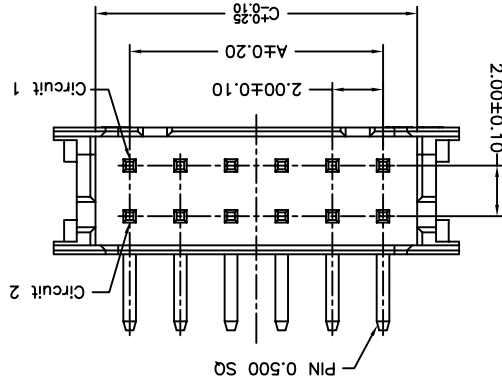
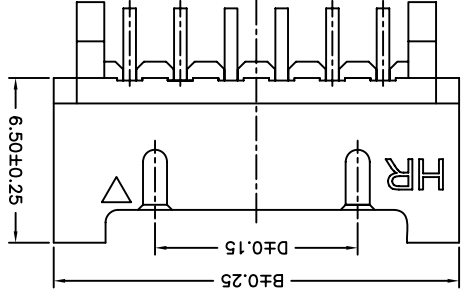
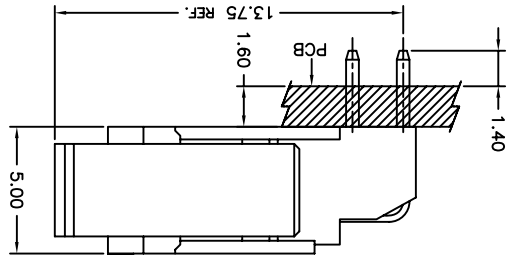
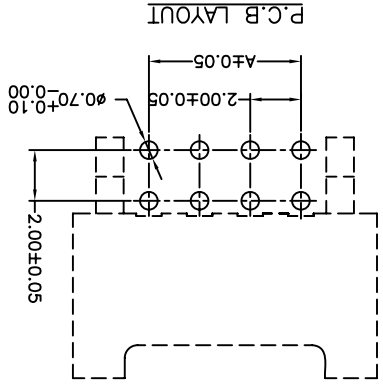
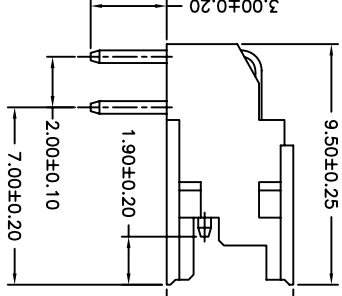
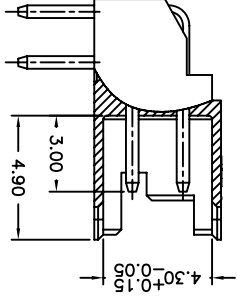
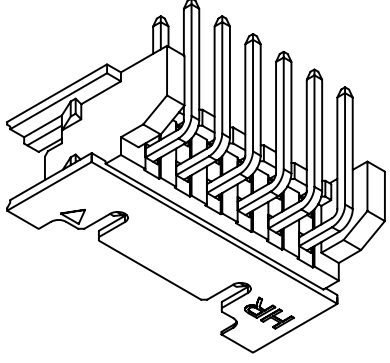



 JOINT TECH ELECTRONIC IND. CO., LTD.
 燦達電子工業股份有限公司
 TITLE: 2.00mm PITCH 90° WAFER-LOCK TYPE

REV. A2	DESCRIPTION EN112050511	DATE 2011.12.05	NAME 陳錦展	X.XX±0.05	ANGLE
				X.XX±0.15	GENERAL TOLERANCE
				2006.10.27	2006.10.27
				歐勝小強	修正一
				DRAWN BY APPROVED BY	
				I : I I of I	
				mm	
				UNIT SCALE SHEET	

REV. A2

Circuit	Dimensions				
	No.	A	B	C	D
2X02P	2.00	8.00	4.70	---	---
2X03P	4.00	10.00	6.70	2.00	---
2X04P	6.00	12.00	8.70	4.00	---
2X05P	8.00	14.00	10.70	6.00	---
2X06P	10.00	16.00	12.70	8.00	---
2X07P	12.00	18.00	14.70	10.00	---
2X08P	14.00	20.00	16.70	12.00	---
2X09P	16.00	22.00	18.70	14.00	---
2X10P	18.00	24.00	20.70	16.00	---
2X11P	20.00	26.00	22.70	18.00	---
2X12P	22.00	28.00	24.70	20.00	---
2X13P	24.00	30.00	26.70	22.00	---
2X14P	26.00	32.00	28.70	24.00	---
2X15P	28.00	34.00	30.70	26.00	---
2X16P	30.00	36.00	32.70	28.00	---
2X17P	32.00	38.00	34.70	30.00	---
2X18P	34.00	40.00	36.70	32.00	---
2X19P	36.00	42.00	38.70	34.00	---
2X20P	38.00	44.00	40.70	36.00	---



SPECIFICATIONS
 Series No.: WRA-2XNP-XXX
 Connector type: WRA=Right angle A type
 No. of circuits: ③
 Option code: ④
 Blank=Standard
TEMPERATURE RANGE: -25°C ~ +85°C
VOLTAGE RATING: 250V AC,DC
CURRENT RATING: 3A AC,DC
INSULATION RESISTANCE: 1000MΩ Min.
WITHSTANDING VOLTAGE: 800V AC/minute
PIN MATERIAL: Brass/Gold-flash
WAFER MATERIAL: Nylon 6T,UL94V-0
 Color: Natural(Beige)

P/N LEGEND

① Series No. A2004 WRA-2XNP-XXX
 ② Connector type: WRA=Right angle A type
 ③ No. of circuits
 ④ Option code: Blank=Standard

1
 2
 3
 4
 A
 B
 C
 D

X-ON Electronics

Largest Supplier of Electrical and Electronic Components

Click to view similar products for [Headers & Wire Housings](#) category:

Click to view products by [Joint Tech](#) manufacturer:

Other Similar products are found below :

[95000-104TRLF](#) [10135584-644402LF](#) [DF62W-EP2022PCA](#) [95000-106TRLF](#) [DF62W-2022SCA](#) [DF62W-EP2022PC](#) [2203348](#) [DF62W-2022SC](#) [1084018](#) [1029039](#) [1084017](#) [802-10-012-10-002000](#) [1112640](#) [1112639](#) [891-007-9SS-BST1T](#) [000-34000](#) [0008550134](#) [0009482033](#) [0009507031](#) [57102-F02-18ULF](#) [57102-S06-03LF](#) [57202-S52-04LF](#) [PCN6-15S-2.5E](#) [0039019024](#) [58102-G61-06LF](#) [582553-1](#) [0009485154](#) [0009508121](#) [0022285053](#) [0050291907](#) [018731A](#) [LY20-4P-DT1-P1E-BR](#) [02.125.8002.8](#) [60101931](#) [60598-1 \(Cut Strip\)](#) [M1625-3R/100](#) [61062-3](#) [61082-181009](#) [CSU011177004](#) [636-1427](#) [638009-1](#) [641938-9](#) [641991-4](#) [644168-1](#) [644827-2](#) [647662-1](#) [65039-019ELF](#) [65692-001LF](#) [65781-018](#) [65781-047](#)