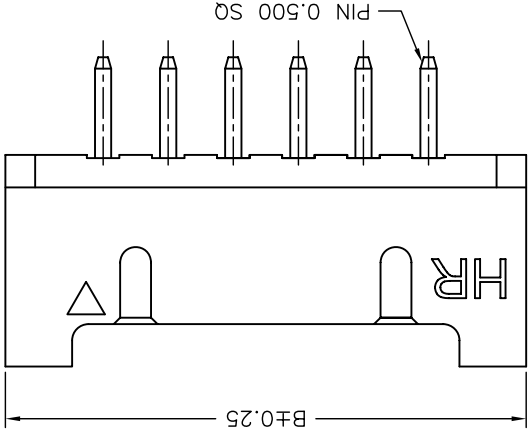
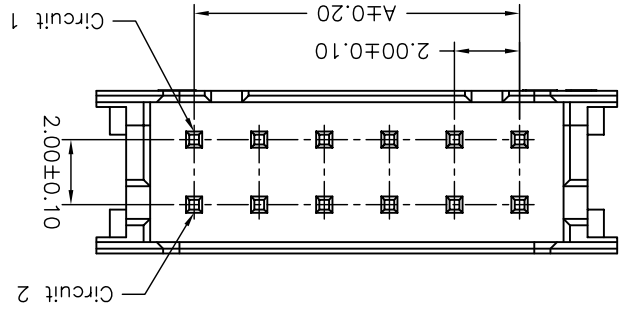
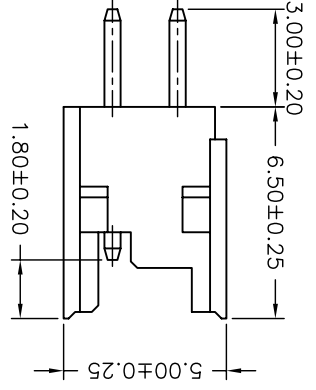
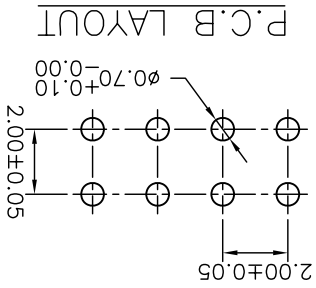
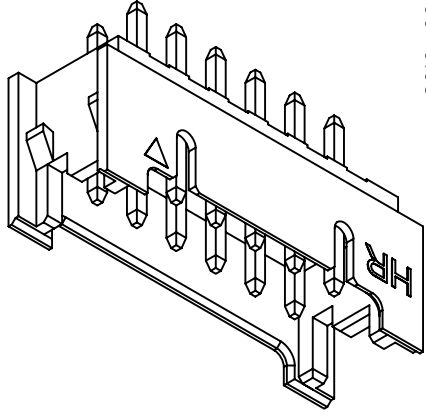


**SPECIFICATIONS**  
 Current Rating: 3A AC,DC  
 Voltage Rating: 250V AC,DC  
 Temperature Range: -25°C ~ +85°C  
 Contact Resistance: 10mΩ Max.  
 Insulation Resistance: 1000MΩ Min.  
 Withstanding Voltage: 800V AC/minute  
 Pin Material: Brass/Gold-flash  
 Material: Nylon 6T,UL94V-0  
 Color: Natural(Beige)

Ordering Information & Dimensions

PART NO.	Dimensions	
	A	B
A2004WVA-2X02P	2.00	8.00
A2004WVA-2X03P	4.00	10.00
A2004WVA-2X04P	6.00	12.00
A2004WVA-2X05P	8.00	14.00
A2004WVA-2X06P	10.00	16.00
A2004WVA-2X07P	12.00	18.00
A2004WVA-2X08P	14.00	20.00
A2004WVA-2X09P	16.00	22.00
A2004WVA-2X10P	18.00	24.00
A2004WVA-2X11P	20.00	26.00
A2004WVA-2X12P	22.00	28.00
A2004WVA-2X13P	24.00	30.00
A2004WVA-2X14P	26.00	32.00
A2004WVA-2X15P	28.00	34.00
A2004WVA-2X16P	30.00	36.00
A2004WVA-2X17P	32.00	38.00
A2004WVA-2X18P	34.00	40.00
A2004WVA-2X19P	36.00	42.00
A2004WVA-2X20P	38.00	44.00
A2004WVA-2X22P	42.00	48.00



REV. A2	REV. A2	DRAW NO.: A2004WVA-2XNP	
REV. A1	REV. A1	ANGLE	ANGLE
REV. A0	REV. A0	DATE	DATE
DESCRIPTION	DESCRIPTION	DATE	DATE
NEW RELEASE	NEW RELEASE	2006.10.27	2006.10.27
REVISION	REVISION	2008.08.14	2008.08.14
EEN NO. EN0910090481	EEN NO. EN0910090481	2009.10.09	2009.10.09
GENERAL TOLERANCE	GENERAL TOLERANCE	2006.10.27	2006.10.27
DRAWN BY	DRAWN BY	APPROVED BY	APPROVED BY
UNIT	UNIT	SCALE	SCALE
SHEET	SHEET	1 of 1	1 of 1
TITLE:	TITLE:	JOY DAY INDUSTRIAL CO., LTD.	
JOINT TECH ELECTRONIC IND. CO., LTD.		JOY DAY INDUSTRIAL CO., LTD.	

2.00mm PITCH  
 180° WAFER-LOCK TYPE

## X-ON Electronics

Largest Supplier of Electrical and Electronic Components

*Click to view similar products for [Headers & Wire Housings](#) category:*

*Click to view products by [Joint Tech](#) manufacturer:*

Other Similar products are found below :

[95000-104TRLF](#) [10135584-644402LF](#) [DF62W-EP2022PCA](#) [95000-106TRLF](#) [DF62W-2022SCA](#) [DF62W-EP2022PC](#) [2203348](#) [DF62W-2022SC](#) [1084018](#) [1029039](#) [1084017](#) [802-10-012-10-002000](#) [1112640](#) [1112639](#) [891-007-9SS-BST1T](#) [000-34000](#) [0008550134](#) [0009482033](#) [0009507031](#) [57102-F02-18ULF](#) [57102-S06-03LF](#) [57202-S52-04LF](#) [PCN6-15S-2.5E](#) [0039019024](#) [58102-G61-06LF](#) [582553-1](#) [0009485154](#) [0009508121](#) [0022285053](#) [0050291907](#) [018731A](#) [LY20-4P-DT1-P1E-BR](#) [02.125.8002.8](#) [60101931](#) [60598-1 \(Cut Strip\)](#) [M1625-3R/100](#) [61062-3](#) [61082-181009](#) [CSU011177004](#) [636-1427](#) [638009-1](#) [641938-9](#) [641991-4](#) [644168-1](#) [644827-2](#) [647662-1](#) [65039-019ELF](#) [65692-001LF](#) [65781-018](#) [65781-047](#)