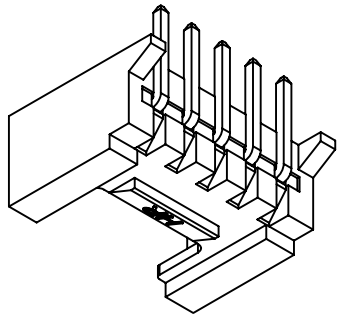
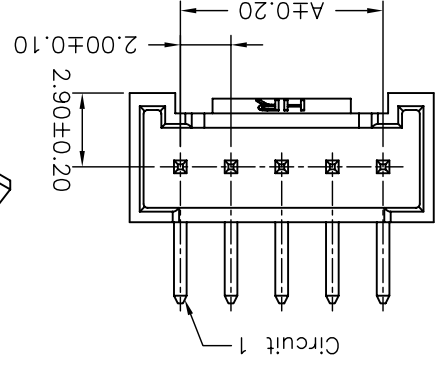
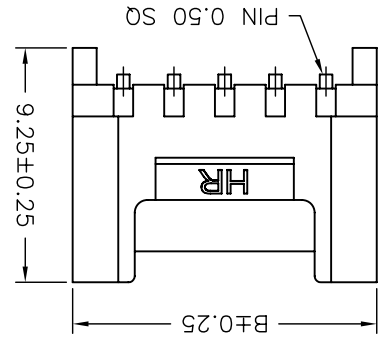
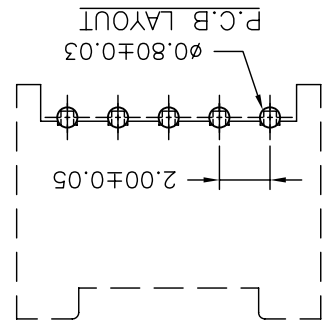
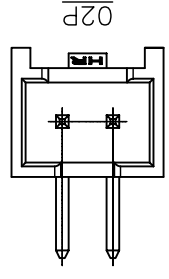
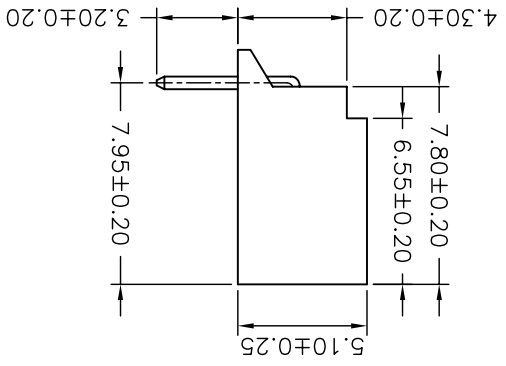
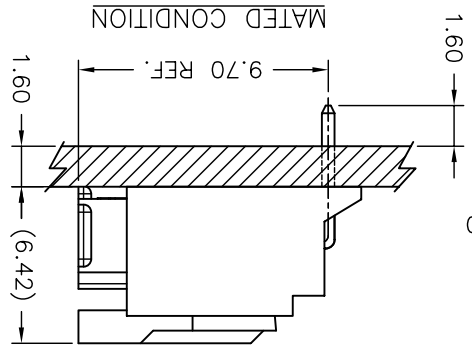


| | | | | | | | |
|------|----|-------------|------------|-----|-----------|--------------------------------------|------------|
| REV. | A0 | NEW RELEASE | 2013.08.12 | 郭本恩 | X.XX±0.15 | ANGLE | |
| | | | | | X.XX±0.05 | ANGLE | |
| | | | | | | GENERAL TOLERANCE | |
| | | | | | | 2005.04.08 | 2005.04.08 |
| | | | | | | 修正一 | |
| | | | | | | APPROVED BY | |
| | | | | | | 1 of 1 | |
| | | | | | | UNIT | SCALE |
| | | | | | | mm | 1 : 1 |
| | | | | | | SHEET | 1 of 1 |
| | | | | | | TITLE: | |
| | | | | | | JOINT TECH ELECTRONIC IND. CO., LTD. | |
| | | | | | | 燦達電子工業股份有限公司 | |
| | | | | | | DRAWN NO. : A2006WR-XPXXX | |
| | | | | | | REV. A0 | |

2.00mm PITCH
90° WAFER

| Circuit | No. | Dimensions |
|---------|-----|------------|
| 02P | A | 6.00 |
| 03P | A | 8.00 |
| 04P | A | 6.00 |
| 05P | A | 8.00 |
| 06P | A | 10.00 |
| 07P | A | 12.00 |
| 08P | A | 14.00 |
| 09P | A | 16.00 |
| 10P | A | 18.00 |
| 11P | A | 20.00 |
| 12P | A | 22.00 |
| 13P | A | 24.00 |
| 14P | A | 26.00 |
| 15P | A | 28.00 |
| 16P | A | 30.00 |
| | B | 34.00 |



P/N LEGEND

① Series No. A2006 WR-XP XXX

② Connector type: WR=Right angle

③ No. of circuits

④ Option code:

Blank=Nylon 46,UL94V-0, Color:Natural(Beige)

BK=Nylon 46,UL94V-0, Color:Black

SPECIFICATIONS

Current Rating: 3A AC,DC

Voltage Rating: 250V AC,DC

Temperature Range: -25°C ~ +85°C

Contact Resistance: 30mΩ Max

Insulation Resistance: 1000MΩ Min

Withstanding Voltage: 1000V AC/minute

Pin Material: Brass/Gold-flash

Material: Nylon 46,UL94V-0

X-ON Electronics

Largest Supplier of Electrical and Electronic Components

Click to view similar products for [Headers & Wire Housings](#) category:

Click to view products by [Joint Tech](#) manufacturer:

Other Similar products are found below :

[95000-104TRLF](#) [10135584-644402LF](#) [DF62W-EP2022PCA](#) [95000-106TRLF](#) [DF62W-2022SCA](#) [DF62W-EP2022PC](#) [2203348](#) [DF62W-2022SC](#) [1084018](#) [1029039](#) [1084017](#) [802-10-012-10-002000](#) [1112640](#) [1112639](#) [891-007-9SS-BST1T](#) [000-34000](#) [0008550134](#) [0009482033](#) [0009507031](#) [57102-F02-18ULF](#) [57102-S06-03LF](#) [57202-S52-04LF](#) [PCN6-15S-2.5E](#) [0039019024](#) [58102-G61-06LF](#) [582553-1](#) [0009485154](#) [0009508121](#) [0022285053](#) [0050291907](#) [018731A](#) [LY20-4P-DT1-P1E-BR](#) [02.125.8002.8](#) [60101931](#) [60598-1 \(Cut Strip\)](#) [M1625-3R/100](#) [61062-3](#) [61082-181009](#) [CSU011177004](#) [636-1427](#) [638009-1](#) [641938-9](#) [641991-4](#) [644168-1](#) [644827-2](#) [647662-1](#) [65039-019ELF](#) [65692-001LF](#) [65781-018](#) [65781-047](#)