
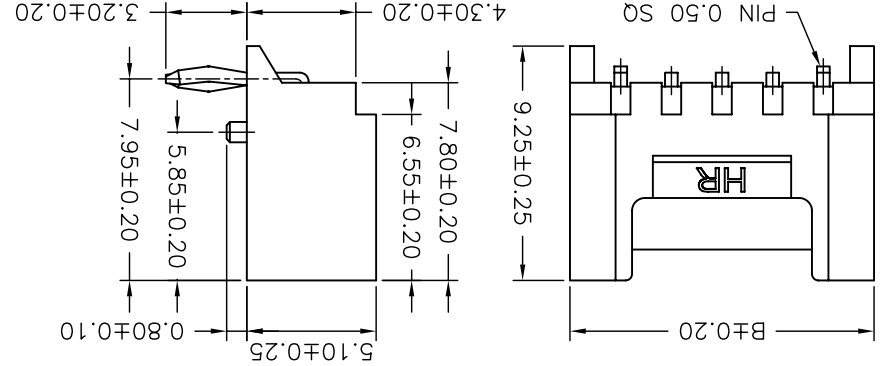
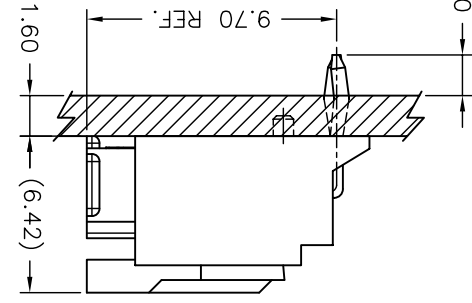
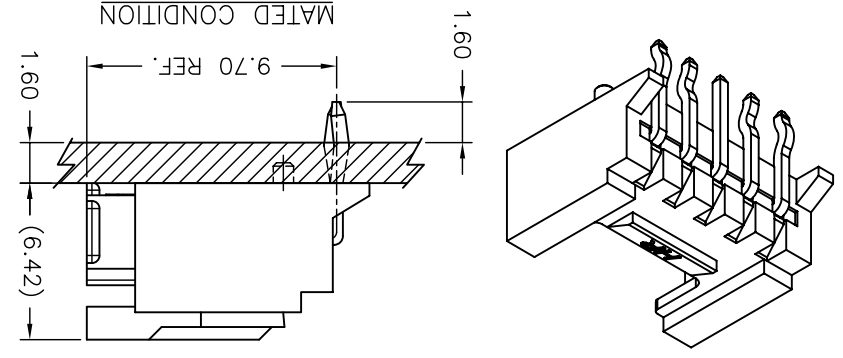
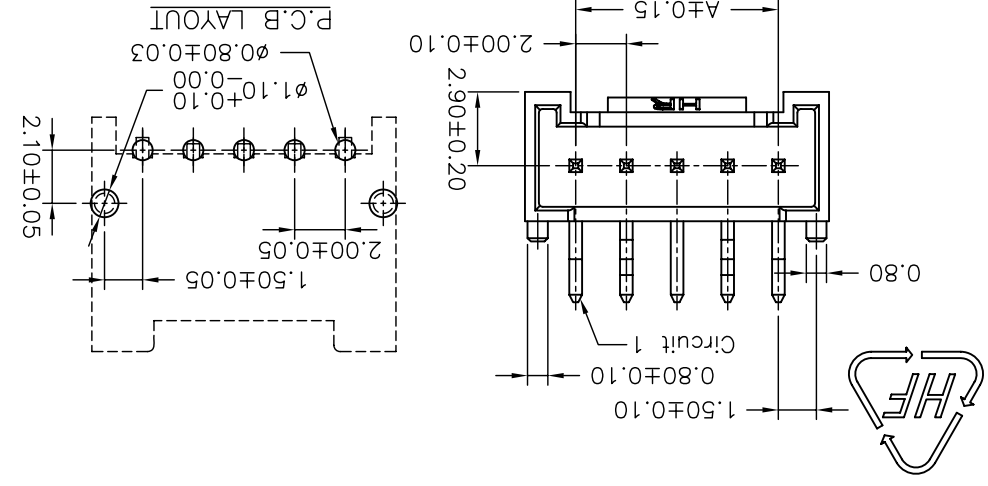


REV.	A0	NEW RELEASE	2014.03.04	劉包根	X.XX±0.15	ANGLE	▽
DESCRIPTION						GENERAL TOLERANCE	
DATE						2014.03.04	陳彥兆
NAME						APPROVED BY	
						DRAWN BY	
						2014.03.04	劉包根
						UNIT	mm
						SCALE	1:1
						SHEET	1 of 1
						TITLE:	
						 燦達電子工業股份有限公司 JOINT TECH ELECTRONIC IND. CO., LTD.	
REV.	A0	DRAW NO.: A2006WR-F-XPXXXXXXX					
		WITH BOSS, KINK					
		2.00mm PITCH					
		90° WAFER,					



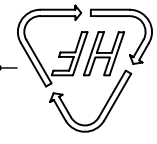
Circuit	No.	A	B	02P	03P	04P
16P	30.00	34.00				
15P	28.00	32.00				
14P	26.00	30.00				
13P	24.00	28.00				
12P	22.00	26.00				
11P	20.00	24.00				
10P	18.00	22.00				
09P	16.00	20.00				
08P	14.00	18.00				
07P	12.00	16.00				
06P	10.00	14.00				
05P	8.00	12.00				
04P	6.00	10.00				
03P	4.00	8.00				
02P	2.00	6.00				
		A	B			
		Dimensions				



P/N LEGEND

①	Series No.
②	Connector type: WR=Right angle
③	Mounting type: F=With foot
④	No. of circuits
⑤	N=Halogen free
⑥	Material: L=LCP
⑦	Color:N=Natural
⑧	Plating code for contacts: G1=Gold-flash
⑨	Plating code for solder tabs:
⑩	N=Non-plating
⑪	Option code:K0=With pin kink
⑫	Packing code: G=Bag

SPECIFICATIONS
 Current Rating: 3A AC,DC
 Voltage Rating: 250V AC,DC
 Temperature Range: -25°C ~ +85°C
 Contact Resistance: 30mΩ Max
 Insulation Resistance: 1000MΩ Min
 Withstanding Voltage: 1000V AC/minute
 Pin Material: Brass/Gold-flash
 Material: LCP,UL94V-0
 Color: Natural



X-ON Electronics

Largest Supplier of Electrical and Electronic Components

Click to view similar products for [Headers & Wire Housings](#) category:

Click to view products by [Joint Tech](#) manufacturer:

Other Similar products are found below :

[95000-104TRLF](#) [10135584-644402LF](#) [DF62W-EP2022PCA](#) [95000-106TRLF](#) [DF62W-2022SCA](#) [DF62W-EP2022PC](#) [2203348](#) [DF62W-2022SC](#) [1084018](#) [1029039](#) [1084017](#) [802-10-012-10-002000](#) [1112640](#) [1112639](#) [891-007-9SS-BST1T](#) [000-34000](#) [0008550134](#) [0009482033](#) [0009507031](#) [57102-F02-18ULF](#) [57102-S06-03LF](#) [57202-S52-04LF](#) [PCN6-15S-2.5E](#) [0039019024](#) [58102-G61-06LF](#) [582553-1](#) [0009485154](#) [0009508121](#) [0022285053](#) [0050291907](#) [018731A](#) [LY20-4P-DT1-P1E-BR](#) [02.125.8002.8](#) [60101931](#) [60598-1 \(Cut Strip\)](#) [M1625-3R/100](#) [61062-3](#) [61082-181009](#) [CSU011177004](#) [636-1427](#) [638009-1](#) [641938-9](#) [641991-4](#) [644168-1](#) [644827-2](#) [647662-1](#) [65039-019ELF](#) [65692-001LF](#) [65781-018](#) [65781-047](#)