
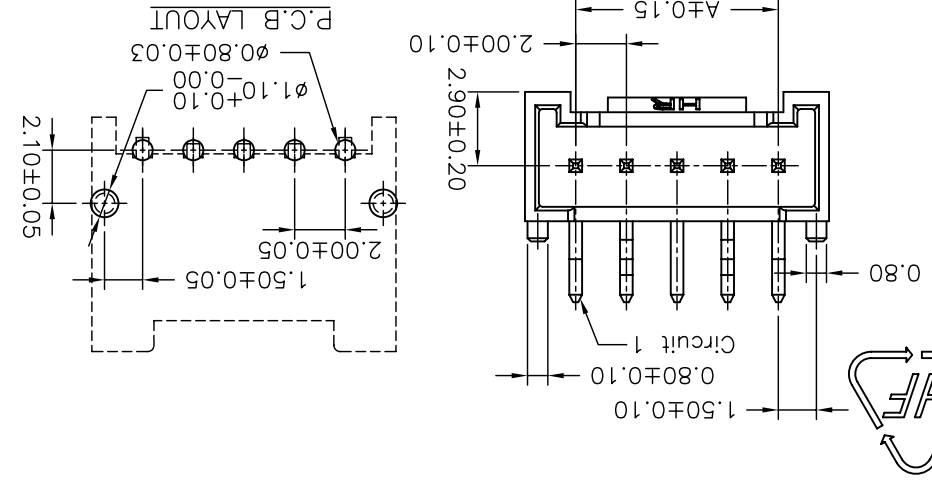
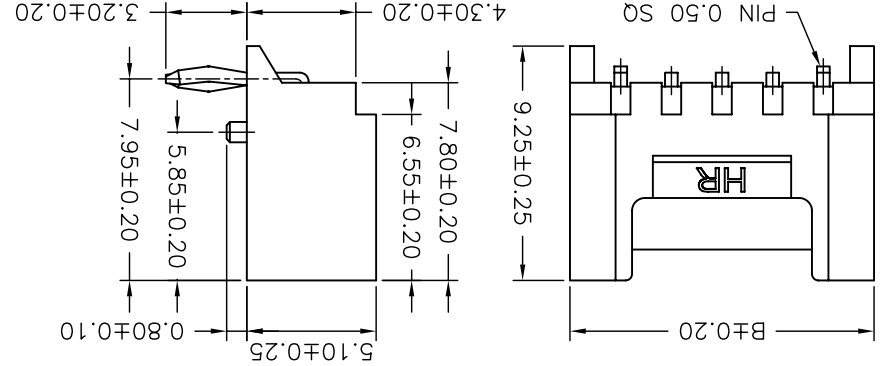
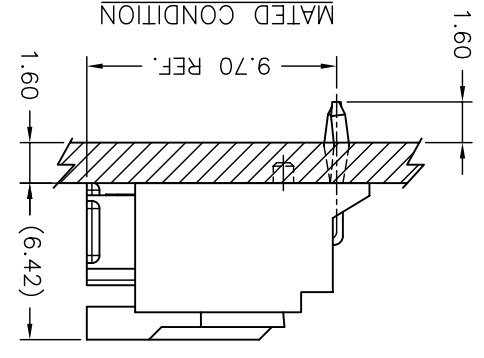
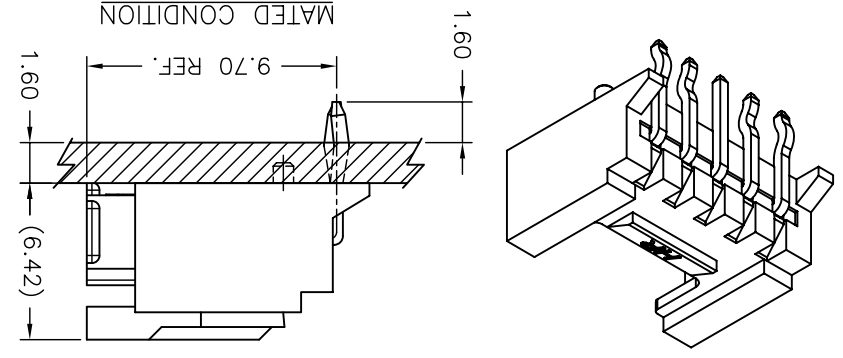


REV.	A0	NEW RELEASE	2014.03.04	劉包根	X.XX±0.15	ANGLE	DRAWN BY 陳彥兆 2014.03.04	APPROVED BY 2014.03.04	GENERAL TOLERANCE	X.X±0.25	X.XX±0.05
DESCRIPTION											
DATE											
NAME											
UNIT											
SCALE											
SHEET											
TITLE:	 燦達電子工業股份有限公司 JOINT TECH ELECTRONIC IND. CO., LTD.										
DRAWN NO.:	WITH BOSS, KINK 90° WAFER, 2.00mm PITCH										
REV.	A0	A2006WR-F-XPXXXXXXX									



Circuit	No.	Dimensions	A	B
02P	2.00	6.00		
03P	4.00	8.00		
04P	6.00	10.00		
05P	8.00	12.00		
06P	10.00	14.00		
07P	12.00	16.00		
08P	14.00	18.00		
09P	16.00	20.00		
10P	18.00	22.00		
11P	20.00	24.00		
12P	22.00	26.00		
13P	24.00	28.00		
14P	26.00	30.00		
15P	28.00	32.00		
16P	30.00	34.00		

- P/N LEGEND**
- ① Series No.
 - ② Connector type: WR=Right angle
 - ③ Mounting type: F=With foot
 - ④ No. of circuits
 - ⑤ N=Halogen free
 - ⑥ Material: L=LCP
 - ⑦ Color:N=Natural
 - ⑧ Plating code for contacts: G1=Gold-flash
 - ⑨ Plating code for solder tabs: N=Non-plating
 - ⑩ Option code:K0=With pin kink
 - ⑪ Packing code: G=Bag

SPECIFICATIONS

Current Rating: 3A AC,DC
 Voltage Rating: 250V AC,DC
 Temperature Range: -25°C ~ +85°C
 Contact Resistance: 30mΩ Max
 Insulation Resistance: 1000MΩ Min
 Withstanding Voltage: 1000V AC/minute
 Pin Material: Brass/Gold-flash
 Material: LCP,UL94V-0
 Color: Natural



X-ON Electronics

Largest Supplier of Electrical and Electronic Components

Click to view similar products for [Headers & Wire Housings](#) category:

Click to view products by [Joint Tech](#) manufacturer:

Other Similar products are found below :

[95000-104TRLF](#) [10135584-644402LF](#) [DF62W-EP2022PCA](#) [95000-106TRLF](#) [DF62W-2022SCA](#) [DF62W-EP2022PC](#) [2203348](#) [DF62W-2022SC](#) [1084018](#) [1029039](#) [1084017](#) [802-10-012-10-002000](#) [1112640](#) [1112639](#) [891-007-9SS-BST1T](#) [000-34000](#) [0008550134](#) [0009482033](#) [0009507031](#) [57102-F02-18ULF](#) [57102-S06-03LF](#) [57202-S52-04LF](#) [PCN6-15S-2.5E](#) [0039019024](#) [58102-G61-06LF](#) [582553-1](#) [0009485154](#) [0009508121](#) [0022285053](#) [0050291907](#) [018731A](#) [LY20-4P-DT1-P1E-BR](#) [02.125.8002.8](#) [60101931](#) [60598-1 \(Cut Strip\)](#) [M1625-3R/100](#) [61062-3](#) [61082-181009](#) [CSU011177004](#) [636-1427](#) [638009-1](#) [641938-9](#) [641991-4](#) [644168-1](#) [644827-2](#) [647662-1](#) [65039-019ELF](#) [65692-001LF](#) [65781-018](#) [65781-047](#)