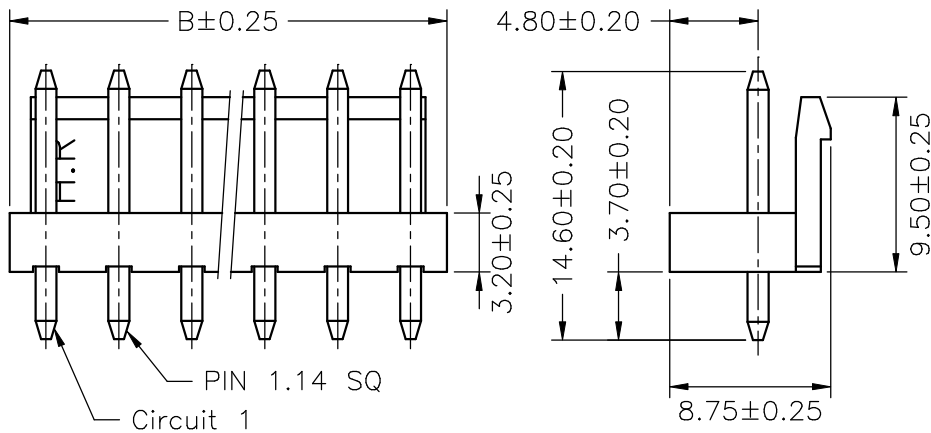
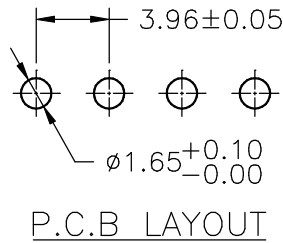
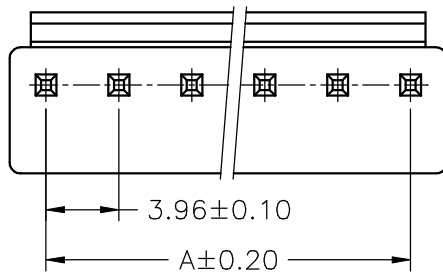


**SPECIFICATIONS**  
 Current Rating: 7A AC,DC  
 Voltage Rating: 250V AC,DC  
 Temperature Range: -25°C ~ +85°C  
 Contact Resistance: 10mΩ Max  
 Insulation Resistance: 1000MΩ Min  
 Withstanding Voltage: 1500V AC/minute  
 Pin Material: Brass/Tin-plated  
 Material: Nylon 66,UL94V-0  
 Color: Natural(White)

**Ordering Information & Dimensions**

| PART NO.    | Dimensions |       |
|-------------|------------|-------|
|             | A          | B     |
| A3961WV-02P | 3.96       | 7.92  |
| A3961WV-03P | 7.92       | 11.88 |
| A3961WV-04P | 11.88      | 15.84 |
| A3961WV-05P | 15.84      | 19.80 |
| A3961WV-06P | 19.80      | 23.76 |
| A3961WV-07P | 23.76      | 27.72 |
| A3961WV-08P | 27.72      | 31.68 |
| A3961WV-09P | 31.68      | 35.64 |
| A3961WV-10P | 35.64      | 39.60 |
| A3961WV-11P | 39.60      | 43.56 |
| A3961WV-12P | 43.56      | 47.52 |
| A3961WV-13P | 47.52      | 51.48 |
| A3961WV-14P | 51.48      | 55.44 |
| A3961WV-15P | 55.44      | 59.40 |



|                   |             |             |                            |  |  |
|-------------------|-------------|-------------|----------------------------|--|--|
|                   |             |             |                            | JOINT TECH ELECTRONIC IND. CO., LTD.<br>JOY DAY INDUSTRIAL CO., LTD. |  |
| UNIT              | SCALE       | SHEET       | TITLE:                     |  |  |
| mm                |             | 1 of 1      | 3.96mm PITCH<br>180° WAFER |  |  |
| DRAWN BY          |             | APPROVED BY |                            | DRAW NO. :   |  |
| 董正一               |             | 董正一         |                            | A3961WV-XP   |  |
| 2001.02.01        |             | 2001.02.01  |                            | REV. B0  |  |
| GENERAL TOLERANCE |             |             |                            |  |  |
| X. X±0.25         |             | ANGLE±      |                            |  |  |
| X. XX±0.15        |             |             |                            |  |  |
| X. XXX±0.05       |             |             |                            |  |  |
| B0                | NEW RELEASE | 2006.04.17  |                            |  |  |
| REV.              | DESCRIPTION | DATE        |                            |  |  |

## X-ON Electronics

Largest Supplier of Electrical and Electronic Components

*Click to view similar products for [Headers & Wire Housings](#) category:*

*Click to view products by [Joint Tech](#) manufacturer:*

Other Similar products are found below :

[57102-F02-18ULF](#) [58102-G61-06LF](#) [0009485154](#) [009176003701906](#) [0050291907](#) [02.125.8002.8](#) [609-3404](#) [61062-3](#) [622-0430](#) [622-3653LF](#)  
[63453-116](#) [636-1030](#) [636-1427](#) [636-3427](#) [636-4007](#) [641938-9](#) [644827-2](#) [65495-038](#) [65692-001LF](#) [65781-018](#) [65781-047](#) [65817-010LF](#)  
[65817-015LF](#) [66207-023LF](#) [67016-026LF](#) [67095-007LF](#) [68631-112](#) [68645-018](#) [68648-049](#) [699319-000](#) [70.362.1628.0](#) [70-4210](#) [70-4226B](#)  
[70-4853B](#) [707-5020](#) [707-5028](#) [71.350.2428.0](#) [71961-016LF](#) [733-134](#) [754199-000](#) [760-3052](#) [787-8014-00](#) [FCN-367T-T012/H](#) [80.063.4001.1](#)  
[800-90-001-10-001000](#) [800-90-010-10-002000](#) [801-43-002-10-013000](#) [801-43-006-10-002000](#) [803-41-018-10-001000](#) [803-43-014-20-001000](#)