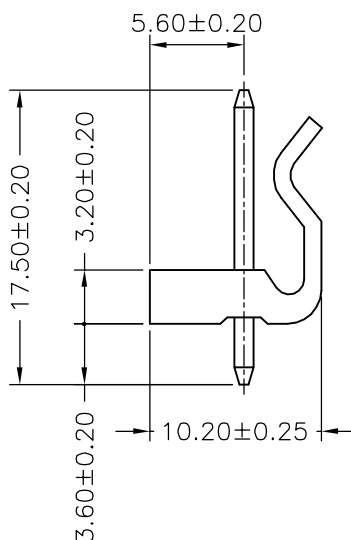
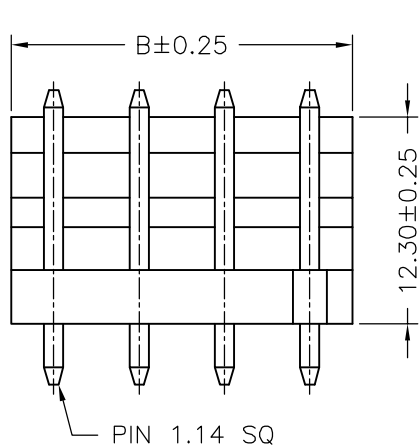
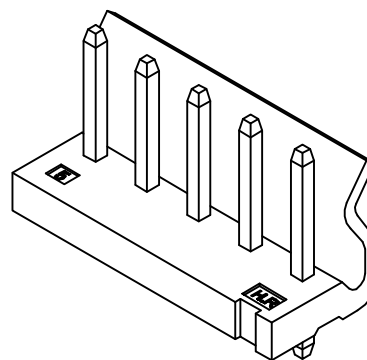


P.C.B LAYOUT



SPECIFICATIONS

Current Rating: 7A AC,DC  
 Voltage Rating: 250V AC,DC  
 Temperature Range: -25°C ~ +85°C  
 Contact Resistance: 10mΩ Max  
 Insulation Resistance: 1000MΩ Min  
 Withstanding Voltage: 1500V AC/minute  
 Pin Material: Brass/Tin-plated  
 Material: Nylon 66,UL94V-2  
 Color: Natural(Translucent)

Ordering Information & Dimensions

| PART NO.    | Dimensions |        |
|-------------|------------|--------|
|             | A          | B      |
| A5081WV-02P | 5.08       | 10.16  |
| A5081WV-03P | 10.16      | 15.24  |
| A5081WV-04P | 15.24      | 20.32  |
| A5081WV-05P | 20.32      | 25.40  |
| A5081WV-06P | 25.40      | 30.48  |
| A5081WV-07P | 30.48      | 35.56  |
| A5081WV-08P | 35.56      | 40.64  |
| A5081WV-09P | 40.64      | 45.72  |
| A5081WV-10P | 45.72      | 50.80  |
| A5081WV-11P | 50.80      | 55.88  |
| A5081WV-12P | 55.88      | 60.96  |
| A5081WV-13P | 60.96      | 66.04  |
| A5081WV-14P | 66.04      | 71.12  |
| A5081WV-15P | 71.12      | 76.20  |
| A5081WV-16P | 76.20      | 81.28  |
| A5081WV-17P | 81.28      | 86.36  |
| A5081WV-18P | 86.36      | 91.44  |
| A5081WV-19P | 91.44      | 96.52  |
| A5081WV-20P | 96.52      | 101.60 |

|      |             |                               |                                  |  |                            |
|------|-------------|-------------------------------|----------------------------------|--|----------------------------|
|      |             |                               |                                  | JOINT TECH ELECTRONIC IND. CO., LTD.<br>JOY DAY INDUSTRIAL CO., LTD. |                            |
|      |             | UNIT                          | SCALE                            | SHEET  | TITLE:                     |
|      |             | mm                            |                                  | 1 of 1   | 5.08mm PITCH<br>180° WAFER |
|      |             | DRAWN BY<br>伍建永<br>2005.04.23 | APPROVED BY<br>謝瑞清<br>2005.04.23 |  |                            |
|      |             | GENERAL TOLERANCE             |                                  |  |                            |
| B1   | REVISE      | 2007.11.13                    | X.X±0.25                         | ANGLE±   | DRAW NO.:<br>A5081WV-XP    |
| B0   | NEW RELEASE | 2006.01.08                    | X.XX±0.15                        |  |                            |
| REV. | DESCRIPTION | DATE                          | X.XXX±0.05                       |  |                            |
|      |             |                               |                                  |  | REV.<br>B1                 |

## X-ON Electronics

Largest Supplier of Electrical and Electronic Components

*Click to view similar products for [Headers & Wire Housings](#) category:*

*Click to view products by [Joint Tech](#) manufacturer:*

Other Similar products are found below :

[95000-104TRLF](#) [10135584-644402LF](#) [DF62W-EP2022PCA](#) [95000-106TRLF](#) [DF62W-2022SCA](#) [DF62W-EP2022PC](#) [2203348](#) [DF62W-2022SC](#) [1084018](#) [1029039](#) [1084017](#) [802-10-012-10-002000](#) [1112640](#) [1112639](#) [891-007-9SS-BST1T](#) [000-34000](#) [0008550134](#) [0009482033](#) [0009507031](#) [57102-F02-18ULF](#) [57102-S06-03LF](#) [57202-S52-04LF](#) [PCN6-15S-2.5E](#) [0039019024](#) [58102-G61-06LF](#) [582553-1](#) [0009485154](#) [0009508121](#) [0022285053](#) [0050291907](#) [018731A](#) [LY20-4P-DT1-P1E-BR](#) [02.125.8002.8](#) [60101931](#) [60598-1 \(Cut Strip\)](#) [M1625-3R/100](#) [61062-3](#) [61082-181009](#) [CSU011177004](#) [636-1427](#) [638009-1](#) [641938-9](#) [641991-4](#) [644168-1](#) [644827-2](#) [647662-1](#) [65039-019ELF](#) [65692-001LF](#) [65781-018](#) [65781-047](#)