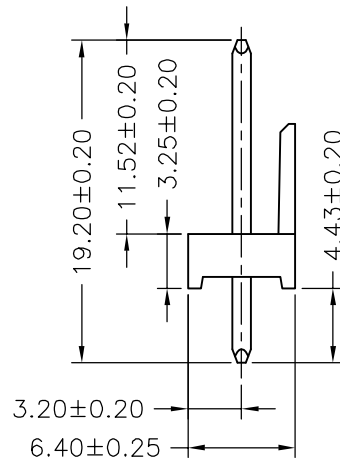
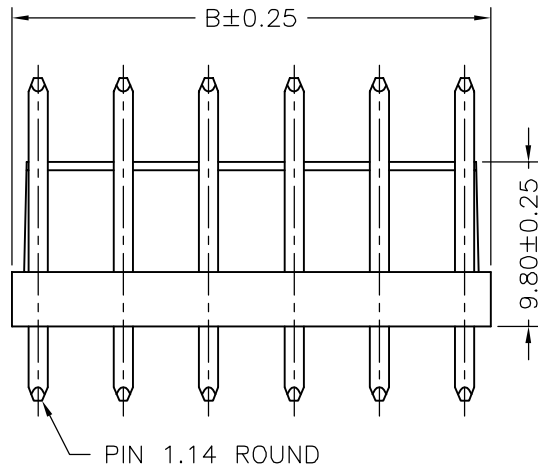


SPECIFICATIONS

Current Rating: 7A AC,DC
 Voltage Rating: 250V AC,DC
 Temperature Range: -25°C ~ +85°C
 Contact Resistance: 10mΩ Max
 Insulation Resistance: 1000Ω Min
 Withstanding Voltage: 1500V AC/minute
 Pin Material: Brass/Tin-plated
 Material: Nylon 66,UL94V-2
 Color: Natural(Translucent)



Ordering Information & Dimensions

PART NO.	Dimensions	
	A	B
A5081WVB-02P	5.08	8.20
A5081WVB-03P	10.16	13.28
A5081WVB-04P	15.24	18.36
A5081WVB-05P	20.32	23.44
A5081WVB-06P	25.40	28.52
A5081WVB-07P	30.48	33.60
A5081WVB-08P	35.56	38.68
A5081WVB-09P	40.64	43.76
A5081WVB-10P	45.72	48.84
A5081WVB-11P	50.80	53.92
A5081WVB-12P	55.88	59.00
A5081WVB-13P	60.96	64.08
A5081WVB-14P	66.04	69.16
A5081WVB-15P	71.12	74.24
A5081WVB-16P	76.20	79.32
A5081WVB-17P	81.28	84.40

				JOINT TECH ELECTRONIC IND. CO., LTD. JOY DAY INDUSTRIAL CO., LTD.	
		UNIT	SCALE	SHEET	TITLE:
		mm		1 of 1	5.08mm PITCH 180° WAFER
		DRAWN BY	APPROVED BY		
		伍建永 2005.04.23	谢瑞清 2005.04.23		
		GENERAL TOLERANCE			
B1	REVISE	2007.07.26	X.X±0.25	ANGLE±	DRAW NO.: A5081WVB-XP
B0	NEW RELEASE	2006.01.08	X.XX±0.15		
REV.	DESCRIPTION	DATE	X.XXX±0.05		
					REV. B1

X-ON Electronics

Largest Supplier of Electrical and Electronic Components

Click to view similar products for [Headers & Wire Housings](#) category:

Click to view products by [Joint Tech](#) manufacturer:

Other Similar products are found below :

[95000-104TRLF](#) [10135584-644402LF](#) [DF62W-EP2022PCA](#) [95000-106TRLF](#) [DF62W-2022SCA](#) [DF62W-EP2022PC](#) [2203348](#) [DF62W-2022SC](#) [1084018](#) [1029039](#) [1084017](#) [802-10-012-10-002000](#) [1112640](#) [1112639](#) [891-007-9SS-BST1T](#) [000-34000](#) [0008550134](#) [0009482033](#) [0009507031](#) [57102-F02-18ULF](#) [57102-S06-03LF](#) [57202-S52-04LF](#) [PCN6-15S-2.5E](#) [0039019024](#) [58102-G61-06LF](#) [582553-1](#) [0009485154](#) [0009508121](#) [0022285053](#) [0050291907](#) [018731A](#) [LY20-4P-DT1-P1E-BR](#) [02.125.8002.8](#) [60101931](#) [60598-1 \(Cut Strip\)](#) [M1625-3R/100](#) [61062-3](#) [61082-181009](#) [CSU011177004](#) [636-1427](#) [638009-1](#) [641938-9](#) [641991-4](#) [644168-1](#) [644827-2](#) [647662-1](#) [65039-019ELF](#) [65692-001LF](#) [65781-018](#) [65781-047](#)