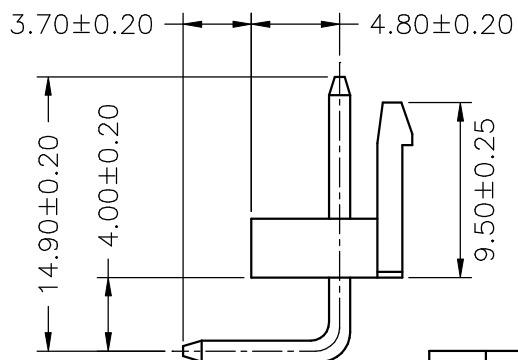
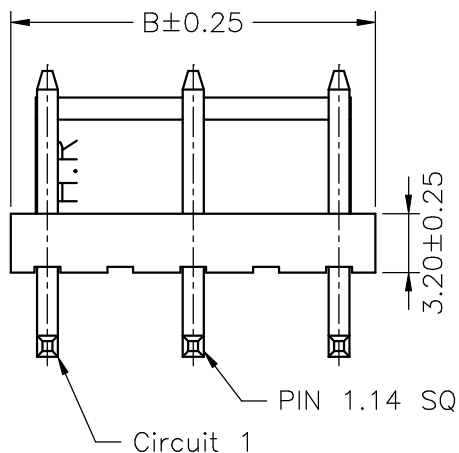


P.C.B LAYOUT



**SPECIFICATIONS**

Current Rating: 7A AC,DC  
 Voltage Rating: 250V AC,DC  
 Temperature Range: -25°C ~ +85°C  
 Contact Resistance: 10mΩ Max  
 Insulation Resistance: 1000MΩ Min  
 Withstanding Voltage: 1500V AC/minute  
 Pin Material: Brass/Tin-plated  
 Material: Nylon 66,UL94V-0  
 Color: Natural(White)

**Ordering Information & Dimensions**

| PART NO.    | Dimensions |       |
|-------------|------------|-------|
|             | A          | B     |
| A7921WR-02P | 7.92       | 11.88 |
| A7921WR-03P | 15.84      | 19.80 |
| A7921WR-04P | 23.76      | 27.72 |
| A7921WR-05P | 31.68      | 35.64 |
| A7921WR-06P | 39.60      | 43.56 |
| A7921WR-07P | 47.52      | 51.48 |
| A7921WR-08P | 55.44      | 59.40 |

|                   |             |            |                                   |
|-------------------|-------------|------------|-----------------------------------|
|                   |             |            |                                   |
| UNIT              | SCALE       | SHEET      | TITLE:                            |
| mm                |             | 1 of 1     | <b>7.92mm PITCH<br/>90° WAFER</b> |
| DRAWN BY          | APPROVED BY |            |                                   |
| 董正一               | 董正一         |            |                                   |
| 2003.01.18        | 2003.01.18  |            |                                   |
| GENERAL TOLERANCE |             |            |                                   |
| B1                | REVISE      | 2006.04.17 | X. X±0.25                         |
| B0                | NEW RELEASE | 2006.04.05 | X. XX±0.15                        |
| REV.              | DESCRIPTION | DATE       | X. XXX±0.05                       |
|                   |             |            | ANGLE±                            |
|                   |             |            | ▷ ⊕                               |
| DRAW NO. :        |             |            | REV. B1                           |
| A7921WR-XP        |             |            |                                   |

## X-ON Electronics

Largest Supplier of Electrical and Electronic Components

*Click to view similar products for [Headers & Wire Housings](#) category:*

*Click to view products by [Joint Tech](#) manufacturer:*

Other Similar products are found below :

[95000-104TRLF](#) [10135584-644402LF](#) [DF62W-EP2022PCA](#) [95000-106TRLF](#) [DF62W-2022SCA](#) [DF62W-EP2022PC](#) [2203348](#) [DF62W-2022SC](#) [1084018](#) [1029039](#) [1084017](#) [802-10-012-10-002000](#) [1112640](#) [1112639](#) [891-007-9SS-BST1T](#) [000-34000](#) [0008550134](#) [0009482033](#) [0009507031](#) [57102-F02-18ULF](#) [57102-S06-03LF](#) [57202-S52-04LF](#) [PCN6-15S-2.5E](#) [0039019024](#) [58102-G61-06LF](#) [582553-1](#) [0009485154](#) [0009508121](#) [0022285053](#) [0050291907](#) [018731A](#) [LY20-4P-DT1-P1E-BR](#) [02.125.8002.8](#) [60101931](#) [60598-1 \(Cut Strip\)](#) [M1625-3R/100](#) [61062-3](#) [61082-181009](#) [CSU011177004](#) [636-1427](#) [638009-1](#) [641938-9](#) [641991-4](#) [644168-1](#) [644827-2](#) [647662-1](#) [65039-019ELF](#) [65692-001LF](#) [65781-018](#) [65781-047](#)