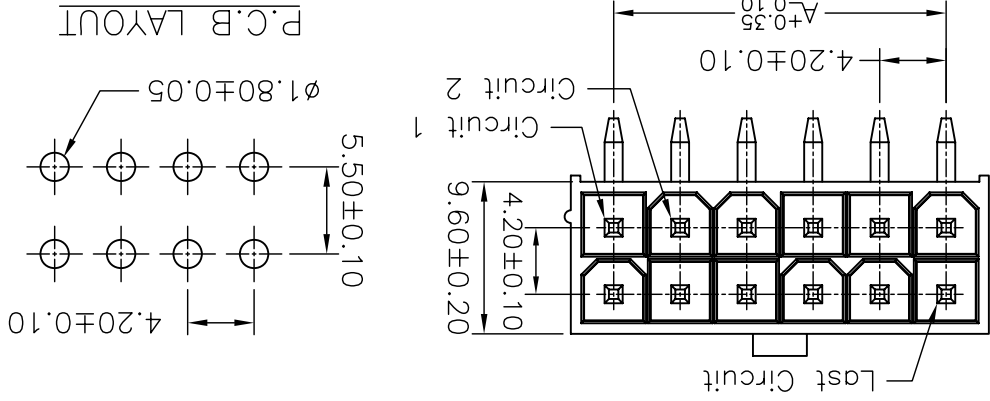
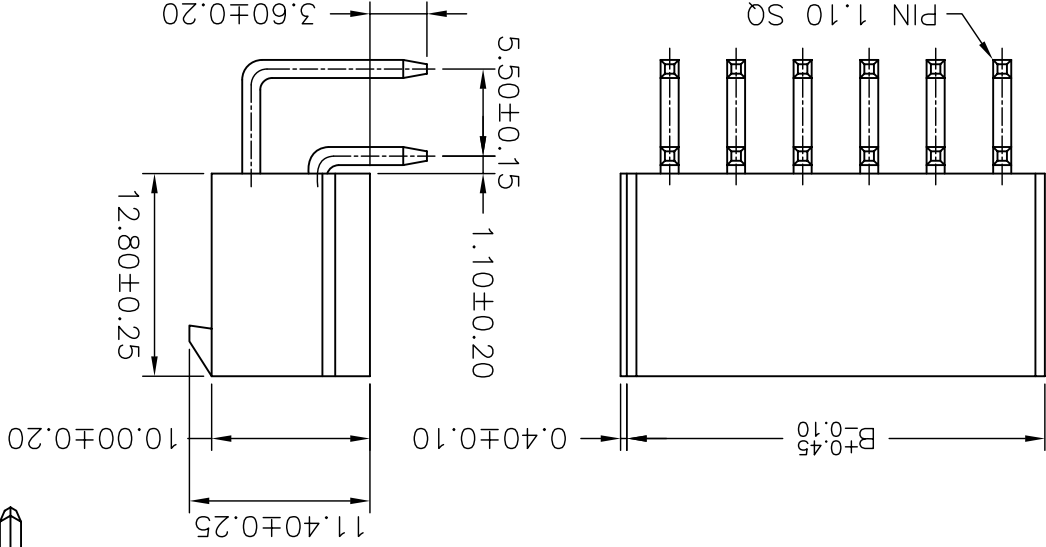
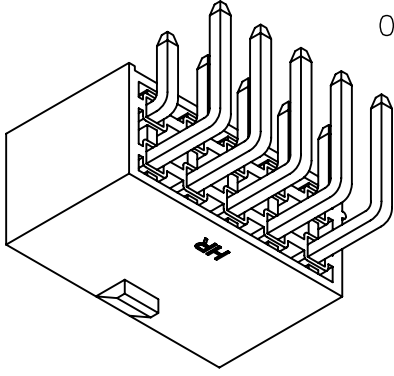


REV.	DESCRIPTION	DATE	NAME	X.XX±0.05		DRAWN BY 姜正一 APPROVED BY 姜正一	UNIT mm	SCALE 1 : 1	SHEET 1 of 2	TITILE: 90° WAFER, MINI-FIT 4.20mm PITCH	DRAW NO. : C4255WR-2XNP	REV. B2
B2	EN1404170004	2014. 04. 17	郭本恩	X.XX±0.15								
燦達電子工業股份有限公司 JOINT TECH ELECTRONIC IND. CO., LTD.												

Circuit		No.	Dimensions	
A	B		A	B
2X01P	---	5.40	4.20	9.60
2X02P	---	8.40	4.20	13.80
2X03P	---	12.60	4.20	18.00
2X04P	---	16.80	4.20	22.20
2X05P	---	21.00	4.20	26.40
2X06P	---	25.20	4.20	30.60
2X07P	---	29.40	4.20	34.80
2X08P	---	33.60	4.20	39.00
2X09P	---	37.80	4.20	43.20
2X10P	---	42.00	4.20	47.40
2X11P	---	46.20	4.20	51.60
2X12P	---	50.40	4.20	55.80

SPECIFICATIONS
 Current Rating: 9A AC,DC
 Voltage Rating: 600V AC,DC
 Temperature Range: -25°C ~ +85°C
 Contact Resistance: 10mΩ Max
 Insulation Resistance: 1000MΩ Min
 Withstanding Voltage: 1500V AC/minute
 Pin Material: Brass/Tin-plated
 Material: Nylon 66,UL94V-2
 Color: Natural(Translucent)



P/N LEGEND

①	Series No.	C4255	WR-2XNP	
②	Connector type:	WR=Right angel		
③	No. of circuits	①	②	③

X-ON Electronics

Largest Supplier of Electrical and Electronic Components

Click to view similar products for [Headers & Wire Housings](#) category:

Click to view products by [Joint Tech](#) manufacturer:

Other Similar products are found below :

[95000-104TRLF](#) [10135584-644402LF](#) [DF62W-EP2022PCA](#) [95000-106TRLF](#) [DF62W-2022SCA](#) [DF62W-EP2022PC](#) [2203348](#) [DF62W-2022SC](#) [1084018](#) [1029039](#) [1084017](#) [802-10-012-10-002000](#) [1112640](#) [1112639](#) [891-007-9SS-BST1T](#) [000-34000](#) [0008550134](#) [0009482033](#) [0009507031](#) [57102-F02-18ULF](#) [57102-S06-03LF](#) [57202-S52-04LF](#) [PCN6-15S-2.5E](#) [0039019024](#) [58102-G61-06LF](#) [582553-1](#) [0009485154](#) [0009508121](#) [0022285053](#) [0050291907](#) [018731A](#) [LY20-4P-DT1-P1E-BR](#) [02.125.8002.8](#) [60101931](#) [60598-1 \(Cut Strip\)](#) [M1625-3R/100](#) [61062-3](#) [61082-181009](#) [CSU011177004](#) [636-1427](#) [638009-1](#) [641938-9](#) [641991-4](#) [644168-1](#) [644827-2](#) [647662-1](#) [65039-019ELF](#) [65692-001LF](#) [65781-018](#) [65781-047](#)