



4 3 2 1

P/N LEGEND

① Series No.  
 ② Connector type: WR=Right angle  
 ③ Mounting type: F=With foot  
 ④ No. of circuits  
 ⑤ =Halogen Free  
 ⑥ Material: 0=Nylon 66-V0 ; L=LCP-V0 ; 2=Nylon 66-V2  
 ⑦ Color: W=White; N=Natural; B=Black  
 ⑧ Plating code for contacts: T1=Tin-plated  
 ⑨ Plating code: N=Non-plating  
 ⑩ Option code: 00=Standard 01=Matte Tin-plated  
 ⑪ Packing code: B=Tray

C4255 WR-F-2XNF N X X T1 N XX B  
 ① ② ③ ④ ⑤ ⑥ ⑦ ⑧ ⑨ ⑩ ⑪

**SPECIFICATIONS**  
 Current Rating: 9A AC,DC  
 Voltage Rating: 600V AC,DC  
 Temperature Range: -25°C ~ +85°C  
 Contact Resistance: 10mΩ Max  
 Insulation Resistance: 1000MΩ Min  
 Withstanding Voltage: 1500V AC/minute  
 Pin Material: Brass/Tin-plated

Circuit		Dimensions	
No.	A	B	
2X01P	---	5.40	
2X02P	4.20	9.60	
2X03P	8.40	13.80	
2X04P	12.60	18.00	
2X05P	16.80	22.20	
2X06P	21.00	26.40	
2X07P	25.20	30.60	
2X08P	29.40	34.80	
2X09P	33.60	39.00	
2X10P	37.80	43.20	
2X11P	42.00	47.40	
2X12P	46.20	51.60	

**燦達電子工業股份有限公司**  
**JOINT TECH ELECTRONIC IND. CO., LTD.**

REV.	DESCRIPTION	DATE	NAME	SCALE	SHEET
B0	EN160119001	2016.01.19	郭木恩	1 : 1	1 of 2
A5	EN150327002	2015.03.27	郭木恩		
A4	EN14121001	2014.11.21	郭木恩		
A3	EN140417004	2014.04.17	郭木恩		
A2	EN12170408	2012.12.17	劉包根		
A1	EN107270305	2011.07.27	謝金發		
A0	NEW RELEASE	2011.03.08	陳錦展		

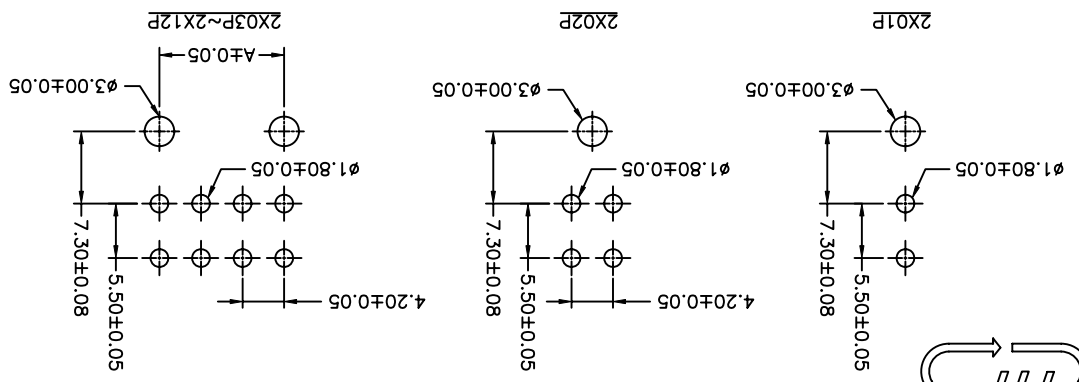
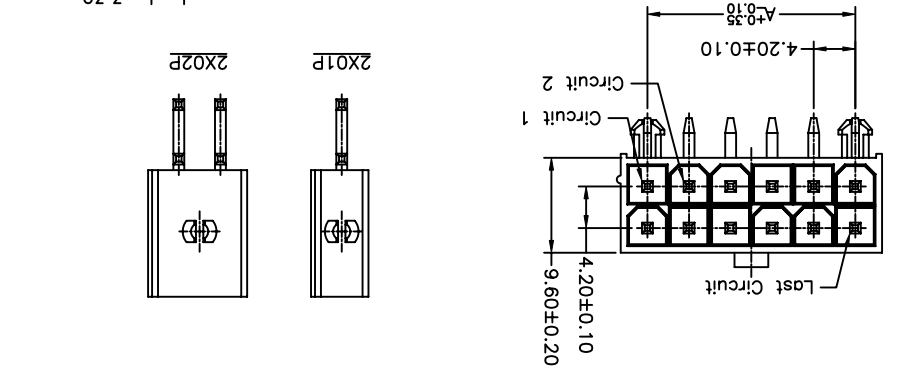
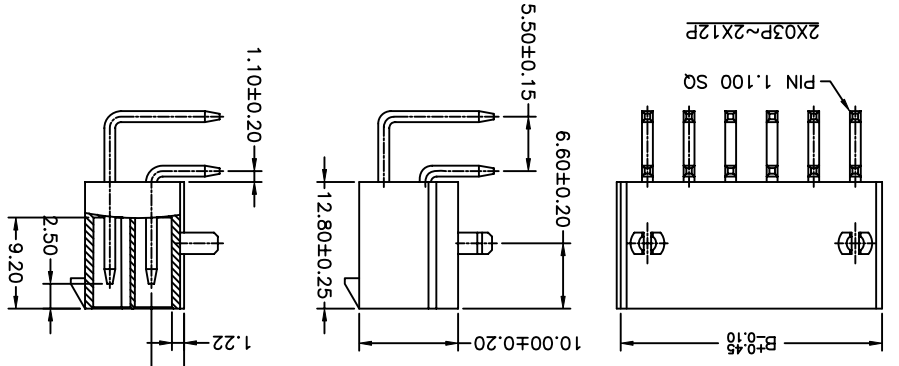
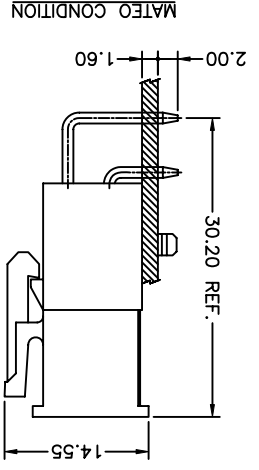
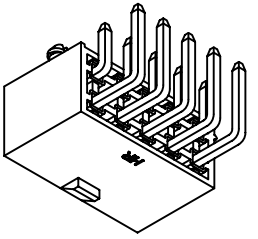
DRAWN BY: 陳錦展 校正: 2011.03.08  
 APPROVED BY: 2011.03.08  
 GENERAL TOLERANCE: X.XX±0.25  
 ANGLE:

UNIT: mm  
 SCALE: 1 : 1  
 SHEET: 1 of 2

TITLE: 4.20mm PITCH  
 90° WAFER WITH PEGS,  
 MINI-FIT

DRAW NO.: C4255WR-F-2XNFXXXXXXXXXX  
 REV: B0

4 3 2 1



## X-ON Electronics

Largest Supplier of Electrical and Electronic Components

*Click to view similar products for [Headers & Wire Housings](#) category:*

*Click to view products by [Joint Tech](#) manufacturer:*

Other Similar products are found below :

[95000-104TRLF](#) [10135584-644402LF](#) [DF62W-EP2022PCA](#) [95000-106TRLF](#) [DF62W-2022SCA](#) [DF62W-EP2022PC](#) [2203348](#) [DF62W-2022SC](#) [1084018](#) [1029039](#) [1084017](#) [802-10-012-10-002000](#) [1112640](#) [1112639](#) [891-007-9SS-BST1T](#) [000-34000](#) [0008550134](#) [0009482033](#) [0009507031](#) [57102-F02-18ULF](#) [57102-S06-03LF](#) [57202-S52-04LF](#) [PCN6-15S-2.5E](#) [0039019024](#) [58102-G61-06LF](#) [582553-1](#) [0009485154](#) [0009508121](#) [0022285053](#) [0050291907](#) [018731A](#) [LY20-4P-DT1-P1E-BR](#) [02.125.8002.8](#) [60101931](#) [60598-1 \(Cut Strip\)](#) [M1625-3R/100](#) [61062-3](#) [61082-181009](#) [CSU011177004](#) [636-1427](#) [638009-1](#) [641938-9](#) [641991-4](#) [644168-1](#) [644827-2](#) [647662-1](#) [65039-019ELF](#) [65692-001LF](#) [65781-018](#) [65781-047](#)