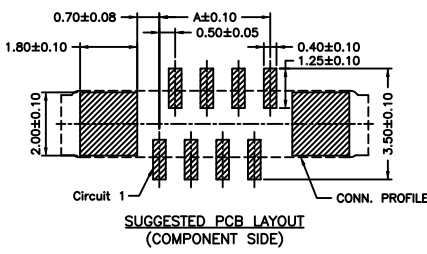


P/N LEGEND

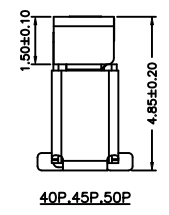
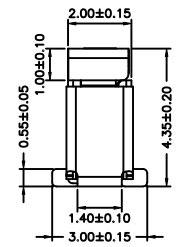
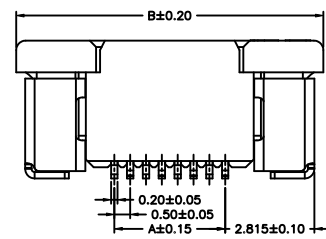
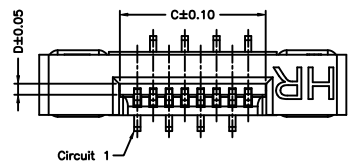
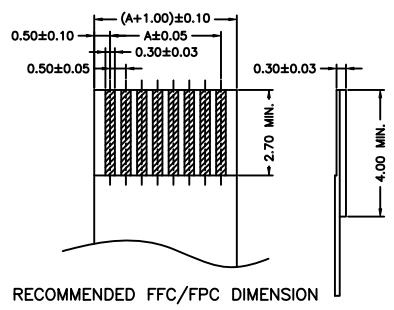
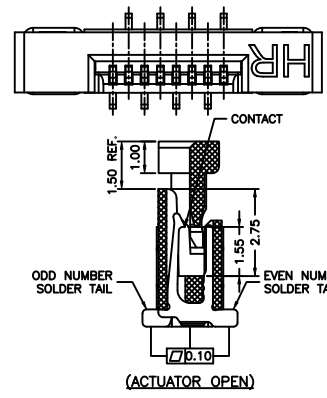
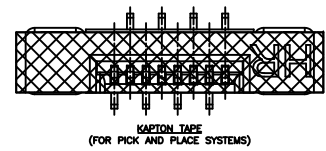
- F0500 WV-S-XP N L N XX X 00 X  
 ① ② ③ ④ ⑤ ⑥ ⑦ ⑧ ⑨ ⑩ ⑪
- ① Series No.
  - ② Connector type: WV=Vertical
  - ③ Mounting type: S=SMT
  - ④ No. of circuits
  - ⑤ N=Halogen Free
  - ⑥ Material: L=LCP
  - ⑦ Color: N=Natural(Beige)
  - ⑧ Plating code for contacts:  
T1=Matte Tin-plated; G1=Gold-flash
  - ⑨ Plating code for solder tabs:  
T=Matte Tin-plated; G=Gold-flash
  - ⑩ Option code: 00=Standard
  - ⑪ Packing code:  
L=Tape & Reel(With Mylar)  
R=Tape & Reel(Without Mylar)

SPECIFICATIONS

Current Rating: 0.5A AC,DC  
 Voltage Rating: 50V AC,DC  
 Temperature Range: -25°C ~ +85°C  
 Contact Resistance: 30mΩ Max.  
 Insulation Resistance: 100MΩ Min.  
 Withstanding Voltage: 250V AC/minute  
 Contacts: Phosphor Bronze/Matte Tin-plated or Gold-flash 1u"  
 Solder Tabs: Brass/Matte Tin-plated or Gold-flash 1u"  
 Housing: LCP,UL94V-0,Natural(Beige)  
 Actuator: Nylon 6T,UL94V-0,Natural(Black)



| Circuit No. | Dimensions |       |       |       | Circuit No. | Dimensions |       |       |       |
|-------------|------------|-------|-------|-------|-------------|------------|-------|-------|-------|
|             | A          | B     | C     | D     |             | A          | B     | C     | D     |
| 04P         | 1.50       | 7.70  | 2.60  | 0.300 | 25P         | 12.00      | 18.20 | 13.10 | 0.350 |
| 05P         | 2.00       | 8.20  | 3.10  | 0.300 | 26P         | 12.50      | 18.70 | 13.60 | 0.350 |
| 06P         | 2.50       | 8.70  | 3.60  | 0.300 | 27P         | 13.00      | 19.20 | 14.10 | 0.350 |
| 07P         | 3.00       | 9.20  | 4.10  | 0.350 | 28P         | 13.50      | 19.70 | 14.60 | 0.350 |
| 08P         | 3.50       | 9.70  | 4.60  | 0.350 | 29P         | 14.00      | 20.20 | 15.10 | 0.350 |
| 09P         | 4.00       | 10.20 | 5.10  | 0.350 | 30P         | 14.50      | 20.70 | 15.60 | 0.350 |
| 10P         | 4.50       | 10.70 | 5.60  | 0.350 | 31P         | 15.00      | 21.20 | 16.10 | 0.350 |
| 11P         | 5.00       | 11.20 | 6.10  | 0.350 | 32P         | 15.50      | 21.70 | 16.60 | 0.350 |
| 12P         | 5.50       | 11.70 | 6.60  | 0.350 | 33P         | 16.00      | 22.20 | 17.10 | 0.350 |
| 13P         | 6.00       | 12.20 | 7.10  | 0.350 | 34P         | 16.50      | 22.70 | 17.60 | 0.350 |
| 14P         | 6.50       | 12.70 | 7.60  | 0.350 | 35P         | 17.00      | 23.20 | 18.10 | 0.350 |
| 15P         | 7.00       | 13.20 | 8.10  | 0.350 | 36P         | 17.50      | 23.70 | 18.60 | 0.350 |
| 16P         | 7.50       | 13.70 | 8.60  | 0.350 | 37P         | 18.00      | 24.20 | 19.10 | 0.350 |
| 17P         | 8.00       | 14.20 | 9.10  | 0.350 | 38P         | 18.50      | 24.70 | 19.60 | 0.350 |
| 18P         | 8.50       | 14.70 | 9.60  | 0.350 | 39P         | 19.00      | 25.20 | 20.10 | 0.350 |
| 19P         | 9.00       | 15.20 | 10.10 | 0.350 | 40P         | 19.50      | 25.70 | 20.60 | 0.350 |
| 20P         | 9.50       | 15.70 | 10.60 | 0.350 | 45P         | 22.00      | 28.20 | 23.10 | 0.350 |
| 21P         | 10.00      | 16.20 | 11.10 | 0.350 | 49P         | 24.00      | 30.20 | 25.10 | 0.350 |
| 22P         | 10.50      | 16.70 | 11.60 | 0.350 | 50P         | 24.50      | 30.70 | 25.60 | 0.350 |
| 23P         | 11.00      | 17.20 | 12.10 | 0.350 | 51P         | 25.00      | 31.20 | 26.10 | 0.350 |
| 24P         | 11.50      | 17.70 | 12.60 | 0.350 |             |            |       |       |       |



|  |              |             |      |   |        |        |        |         |
|--|--------------|-------------|------|---|--------|--------|--------|---------|
| 燦達電子工業股份有限公司<br>JOINT TECH ELECTRONIC IND. CO., LTD. |              |             |      | UNIT  | SCALE  | SHEET  | TITLE: |         |
|  |              |             |      | mm  | 1 : 1  | 1 of 3 |        |         |
| DRAWN BY   |              | APPROVED BY |      | 0.50mm PITCH<br>FFC/FPC CONNECTOR<br>180° SMT TYPE, ZIF |        |        |        |         |
| 權生新  |              | 董正一         |      |   |        |        |        |         |
| 2012.08.01   |              | 2012.08.01  |      |   |        |        |        |         |
| GENERAL TOLERANCE                                    |              |             |      | DRAW NO. : F0500WV-S-XPNXXXXXXXXX                       |        |        |        |         |
| A1   | EN1507010002 | 2015.07.02  | 李志深  | X.X±0.25  | ANGLE± |        |        | REV. A1 |
| A0   | NEW RELEASE  | 2012.08.01  | 權生新  | X.XX±0.15   |        |        |        |         |
| REV.   | DESCRIPTION  | DATE        | NAME | X.XXX±0.05  |        |        |        |         |

## X-ON Electronics

Largest Supplier of Electrical and Electronic Components

*Click to view similar products for [FFC & FPC Connectors](#) category:*

*Click to view products by [Joint Tech](#) manufacturer:*

Other Similar products are found below :

[00-6200-227-022-800](#) [006205250500825+](#) [006205280500825+](#) [FPH-1422G](#) [FPH-1602G](#) [FPH-2022G](#) [52610-1075](#) [52610-1275](#) [52610-1934](#)  
[501864-3091-TR225](#) [086222026001800](#) [52610-0675](#) [62674-201121DLF](#) [62684-36210E9ALF](#) [52746-1671-TR250](#) [10051922-2810EHLF](#) [6-](#)  
[520415-9](#) [686322124422](#) [XF3M-2915-1B-R100](#) [AYF353125A](#) [AYF530665TA](#) [AYF534065TA](#) [AYF351525](#) [086212040340800+](#)  
[AYF530365TA](#) [67000-004LF](#) [006207341915000+](#) [207356-1](#) [67000-003LF](#) [HFW14R-2STE9LF](#) [SFW12R-5STE9LF](#) [SFW18R-1STAE9LF](#)  
[SFW4R-5STE9LF](#) [52807-0430](#) [046283021002868+](#) [502250-8027](#) [104267-9617](#) [66987-011LF](#) [HFW8S-2STAE1HLF](#) [67000-008LF](#)  
[HFW22R-2STE1H1LF](#) [0781271110](#) [5019511030](#) [200528-0260](#) [5039084120](#) [503908-5120](#) [SFW20R-1STGE5LF](#) [FH12-18S-0.5SH](#)  
[686116183522](#) [FH64MA-11S-0.25SHW](#)