

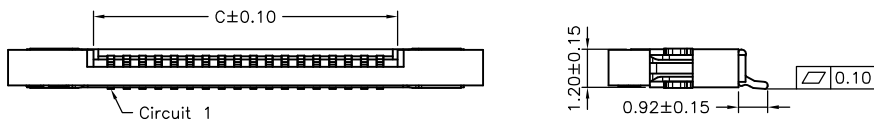
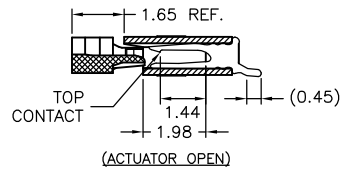
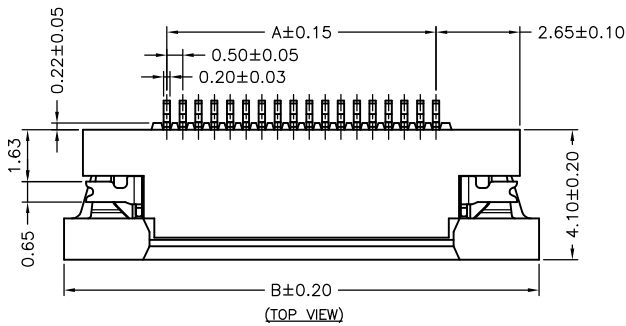
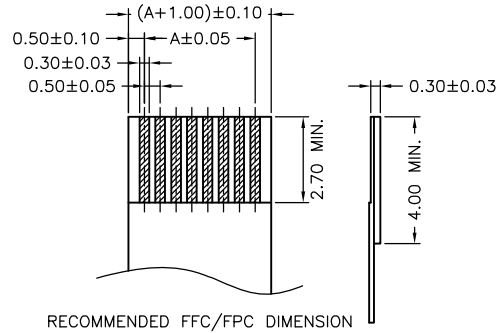
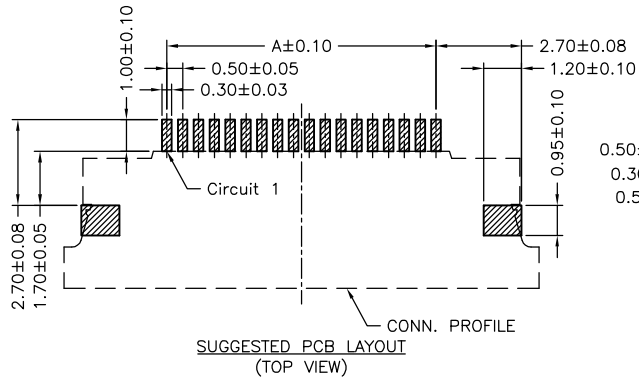
Ordering code

F0501 WR-S-XP XXX
 ① ② ③ ④ ⑤

- ① Series No.
- ② Connector type: WR=Right angle
- ③ Mounting type: S=SMT without boss
- ④ No. of circuits
- ⑤ Option code:
 T=Top contact style
 Contacts/Matte Tin-plated
 Solder tabs/Matte Tin-plated
 DT1=Top contact style
 Contacts/Gold-plated
 Solder tabs/Gold-flash

SPECIFICATIONS

Current Rating: 0.5A AC,DC
 Voltage Rating: 50V AC,DC
 Temperature Range: -25°C ~ +85°C
 Contact Resistance: 30mΩ Max.
 Insulation Resistance: 100MΩ Min.
 Withstanding Voltage: 250V AC/minute
 Contacts: Phosphor Bronze/Matte Tin-plated or Gold-plated
 Solder Tabs: Phosphor Bronze/Matte Tin-plated or Gold-flash
 Housing: LCP,UL94V-0,Natural(Beige)
 Actuator: Nylon 6T,UL94V-0,Natural(Black)



Circuit No.	Dimensions			Circuit No.	Dimensions			Circuit No.	Dimensions		
	A	B	C		A	B	C		A	B	C
04P	1.50	8.00	2.60	20P	9.50	16.00	10.60	36P	17.50	24.00	18.60
05P	2.00	8.50	3.10	21P	10.00	16.50	11.10	37P	18.00	24.50	19.10
06P	2.50	9.00	3.60	22P	10.50	17.00	11.60	38P	18.50	25.00	19.60
07P	3.00	9.50	4.10	23P	11.00	17.50	12.10	39P	19.00	25.50	20.10
08P	3.50	10.00	4.60	24P	11.50	18.00	12.60	40P	19.50	26.00	20.60
09P	4.00	10.50	5.10	25P	12.00	18.50	13.10	41P	20.00	26.50	21.10
10P	4.50	11.00	5.60	26P	12.50	19.00	13.60	42P	20.50	27.00	21.60
11P	5.00	11.50	6.10	27P	13.00	19.50	14.10	43P	21.00	27.50	22.10
12P	5.50	12.00	6.60	28P	13.50	20.00	14.60	44P	21.50	28.00	22.60
13P	6.00	12.50	7.10	29P	14.00	20.50	15.10	45P	22.00	28.50	23.10
14P	6.50	13.00	7.60	30P	14.50	21.00	15.60	46P	22.50	29.00	23.60
15P	7.00	13.50	8.10	31P	15.00	21.50	16.10	47P	23.00	29.50	24.10
16P	7.50	14.00	8.60	32P	15.50	22.00	16.60	48P	23.50	30.00	24.60
17P	8.00	14.50	9.10	33P	16.00	22.50	17.10	49P	24.00	30.50	25.10
18P	8.50	15.00	9.60	34P	16.50	23.00	17.60	50P	24.50	31.00	25.60
19P	9.00	15.50	10.10	35P	17.00	23.50	18.10				

燦達電子工業股份有限公司
 JOINT TECH ELECTRONIC IND. CO., LTD.

UNIT	SCALE	SHEET
mm		1 of 2
DRAWN BY	APPROVED BY	
李勤	董正一	
2006.06.08	2006.06.08	
GENERAL TOLERANCE		
A1	REVISE	2006.11.08
A0	NEW RELEASE	2006.06.08
REV.	DESCRIPTION	DATE
	X.X±0.25	ANGLE±
	X.XX±0.15	
	X.XXX±0.05	

TITLE:
 0.50mm PITCH FFC/FPC
 CONNECTOR, 90° SMT TYPE,
 ZIF, TOP CONTACT STYLE

DRAW NO.: F0501WR-S-XPT
 REV. A4

X-ON Electronics

Largest Supplier of Electrical and Electronic Components

Click to view similar products for [FFC & FPC Connectors](#) category:

Click to view products by [Joint Tech](#) manufacturer:

Other Similar products are found below :

[00-6200-227-022-800](#) [006205250500825+](#) [006205280500825+](#) [FPH-1422G](#) [FPH-1602G](#) [FPH-2022G](#) [52610-1075](#) [52610-1275](#) [52610-1934](#)
[501864-3091-TR225](#) [086222026001800](#) [52610-0675](#) [62674-201121DLF](#) [62684-36210E9ALF](#) [52746-1671-TR250](#) [10051922-2810EHLF](#) [6-](#)
[520415-9](#) [686322124422](#) [XF3M-2915-1B-R100](#) [AYF353125A](#) [AYF530665TA](#) [AYF534065TA](#) [AYF351525](#) [086212040340800+](#)
[AYF530365TA](#) [67000-004LF](#) [006207341915000+](#) [207356-1](#) [67000-003LF](#) [HFW14R-2STE9LF](#) [SFW12R-5STE9LF](#) [SFW18R-1STAE9LF](#)
[SFW4R-5STE9LF](#) [52807-0430](#) [046283021002868+](#) [502250-8027](#) [104267-9617](#) [66987-011LF](#) [HFW8S-2STAE1HLF](#) [67000-008LF](#)
[HFW22R-2STE1H1LF](#) [0781271110](#) [5019511030](#) [200528-0260](#) [5039084120](#) [503908-5120](#) [SFW20R-1STGE5LF](#) [FH12-18S-0.5SH](#)
[686116183522](#) [FH64MA-11S-0.25SHW](#)