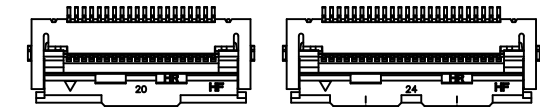
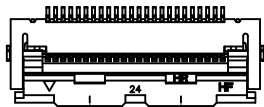


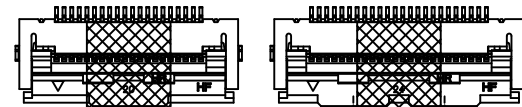
**SPECIFICATIONS**  
 Current Rating: 0.5A AC,DC  
 Voltage Rating: 50V AC,DC  
 Temperature Range: -25°C ~ +85°C  
 Contact Resistance: 30mΩ Max.  
 Insulation Resistance: 100MΩ Min.  
 Withstanding Voltage: 250V AC/minute  
 Contacts: Phosphor Bronze  
 Solder Tabs: Phosphor Bronze  
 Housing: LCP,UL94V-0,Natural(Beige)  
 Cover: LCP,UL94V-0,Natural(Black)



F0502WR-S-XPNXXXXXXXXR(04P~22P)



F0502WR-S-XPNXXXXXXXXR(23P~60P)



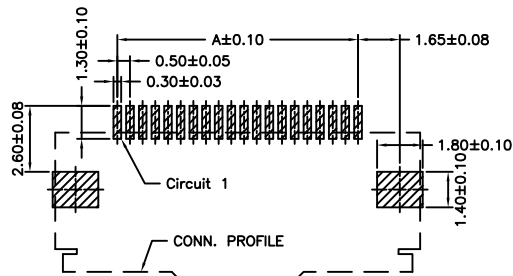
KAPTON TAPE  
(FOR PICK AND PLACE SYSTEMS)  
F0502WR-S-XPNXXXXXXXXL(04P~22P)

KAPTON TAPE  
(FOR PICK AND PLACE SYSTEMS)  
F0502WR-S-XPNXXXXXXXXL(23P~60P)

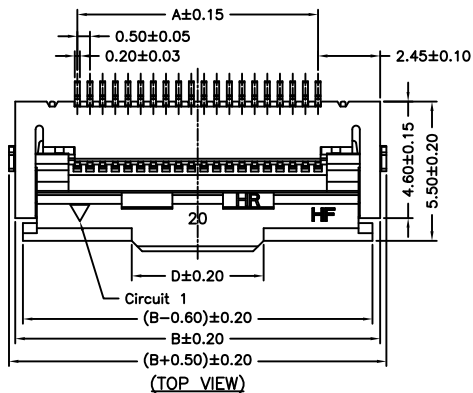
**P/N LEGEND**

F0502 WR-S-XP N L N XX X XX X  
 ① ② ③ ④ ⑤ ⑥ ⑦ ⑧ ⑨ ⑩ ⑪

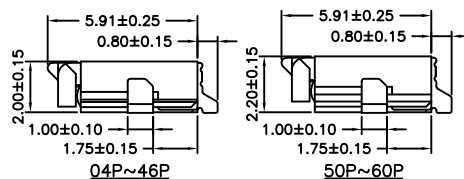
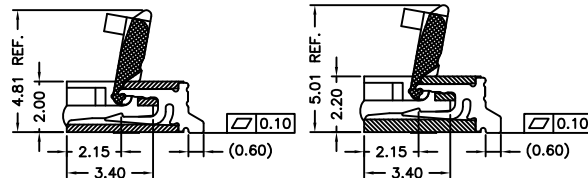
- ① Series No.
- ② Connector type: WR=Right angle
- ③ Mounting type: S=SMT
- ④ No. of circuits
- ⑤ N=Halogen Free
- ⑥ Material: L=LCP
- ⑦ Color: N=Natural(Beige)
- ⑧ Plating code for contacts:  
T1=Matte Tin-plated; G1=Gold-flash
- ⑨ Plating code for solder tabs:  
T=Matte Tin-plated; G=Gold-flash
- ⑩ Option code: 00=Standard 01=Cap Material is LCP
- ⑪ Packing code:  
R=Reel & Reel(Without Cap or Mylar)  
L=Tape & Reel(With Mylar)



SUGGESTED PCB LAYOUT  
(TOP VIEW)



(TOP VIEW)



04P~46P

50P~60P

Circuit No.	Dimensions				
	A	B	C	D	E
04P	1.50	6.40	2.60	2.20	
06P	2.50	7.40	3.60	2.70	
07P	3.00	7.90	4.10	2.70	
08P	3.50	8.40	4.60	2.70	
09P	4.00	8.90	5.10	2.70	
10P	4.50	9.40	5.60	2.70	
11P	5.00	9.90	6.10	2.70	
12P	5.50	10.40	6.60	2.70	
13P	6.00	10.90	7.10	2.70	
14P	6.50	11.40	7.60	2.70	
15P	7.00	11.90	8.10	2.70	
16P	7.50	12.40	8.60	2.70	
17P	8.00	12.90	9.10	2.70	
18P	8.50	13.40	9.60	2.70	
19P	9.00	13.90	10.10	2.70	
20P	9.50	14.40	10.60	2.70	
21P	10.00	14.90	11.10	2.70	
22P	10.50	15.40	11.60	2.70	
23P	11.00	15.90	12.10	2.70	6.00
24P	11.50	16.40	12.60	2.70	6.00
25P	12.00	16.90	13.10	2.70	6.00
26P	12.50	17.40	13.60	2.70	6.50

Circuit No.	Dimensions				
	A	B	C	D	E
27P	13.00	17.90	14.10	5.20	7.00
28P	13.50	18.40	14.60	5.20	7.00
29P	14.00	18.90	15.10	5.20	7.50
30P	14.50	19.40	15.60	5.20	7.50
31P	15.00	19.90	16.10	5.20	8.00
32P	15.50	20.40	16.60	5.20	8.00
33P	16.00	20.90	17.10	5.20	8.50
34P	16.50	21.40	17.60	5.20	9.00
35P	17.00	21.90	18.10	5.20	9.00
36P	17.50	22.40	18.60	5.20	9.00
37P	18.00	22.90	19.10	5.20	9.50
38P	18.50	23.40	19.60	5.20	10.00
39P	19.00	23.90	20.10	5.20	10.50
40P	19.50	24.40	20.60	5.20	13.50
42P	20.50	25.40	21.60	5.20	14.50
45P	22.00	26.90	23.10	5.20	14.30
46P	22.50	27.40	23.60	5.20	14.30
50P	24.50	29.40	25.60	5.20	6.50
54P	26.50	31.40	27.60	5.20	8.00
55P	27.00	31.90	28.10	5.20	8.00
60P	29.50	34.40	30.60	5.20	8.00



燦達電子工業股份有限公司  
 JOINT TECH ELECTRONIC IND. CO., LTD.

UNIT	SCALE	SHEET
mm	1 : 1	1 of 3
DRAWN BY	APPROVED BY	
權生新	吳國維	
2010.12.17	2010.12.17	
GENERAL TOLERANCE		
X. X±0.25	ANGLE±	
X. XX±0.15	▽	
X. XXX±0.05		

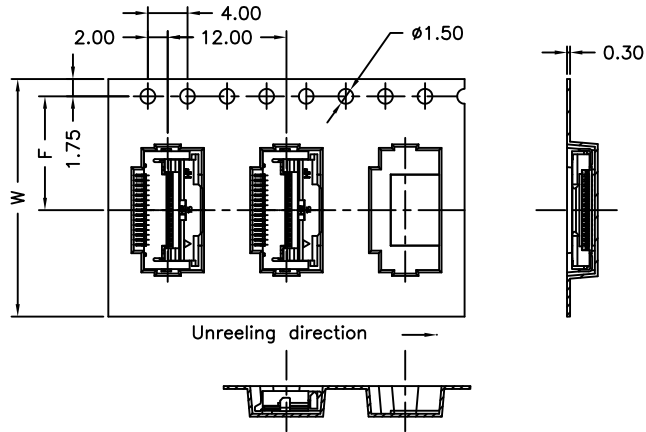
TITLE:  
 0.50mm PITCH FFC/FPC  
 CONNECTOR, 90° SMT TYPE,  
 ZIF, BOTTOM CONTACT STYLE

DRAW NO.: F0502WR-S-XPNXXXXXXXXX REV. A4

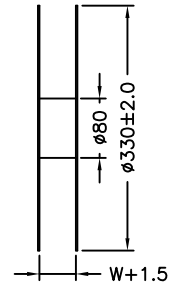
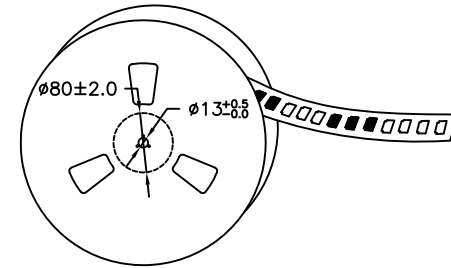
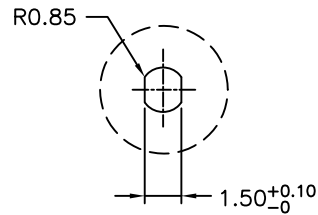
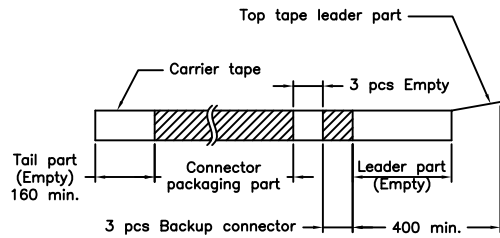
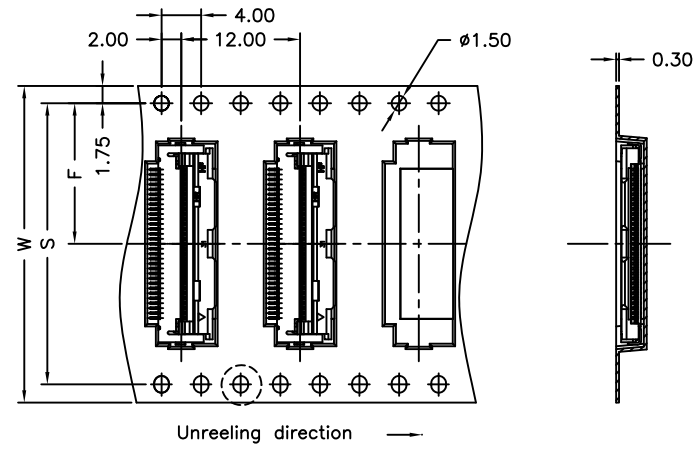
REV.	DESCRIPTION	DATE	NAME
A4	EN1309130333	2013.09.13	劉包根
A3	EN1202270041	2012.02.27	劉包根
A2	EN1105180133	2011.05.18	權生新
A1	EN1104120095	2011.04.12	權生新
A0	NEW RELEASE	2010.12.17	權生新



04~23 Contacts



24~60 Contacts

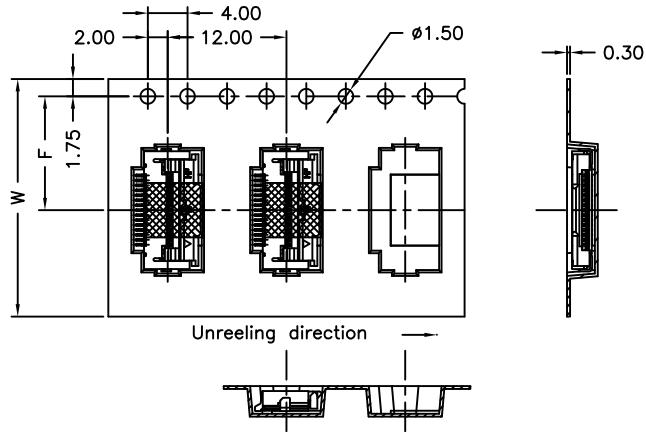


Number of Contacts	W±0.3	F±0.1	S±0.1	Q'ty/Reel	Number of Contacts	W±0.3	F±0.1	S±0.1	Q'ty/Reel	
04P	16	7.50		1,000	27P	32	14.20	28.40	1,000	
06P	16	7.50		28P	32	14.20	28.40	1,000		
07P	16	7.50		29P	32	14.20	28.40	1,000		
08P	16	7.50		30P	32	14.20	28.40	1,000		
09P	24	11.50		31P	32	14.20	28.40	1,000		
10P	24	11.50		32P	32	14.20	28.40	1,000		
11P	24	11.50		33P	32	14.20	28.40	1,000		
12P	24	11.50		34P	32	14.20	28.40	1,000		
13P	24	11.50		35P	44	20.20	40.40	1,000		
14P	24	11.50		36P	44	20.20	40.40	1,000		
15P	24	11.50		37P	44	20.20	40.40	1,000		
16P	24	11.50		38P	44	20.20	40.40	1,000		
17P	24	11.50		39P	44	20.20	40.40	1,000		
18P	24	11.50		40P	44	20.20	40.40	1,000		
19P	24	11.50		42P	44	20.20	40.40	1,000		
20P	24	11.50		45P	44	20.20	40.40	1,000		
21P	24	11.50		46P	44	20.20	40.40	1,000		
22P	24	11.50		50P	44	20.20	40.40	1,000		
23P	24	11.50		54P	44	20.20	40.40	1,000		
24P	32	14.20		28.40	1,000	55P	44	20.20	40.40	1,000
25P	32	14.20		28.40	1,000	60P	56	26.20	52.40	1,000
26P	32	14.20		28.40	1,000					

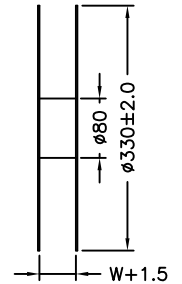
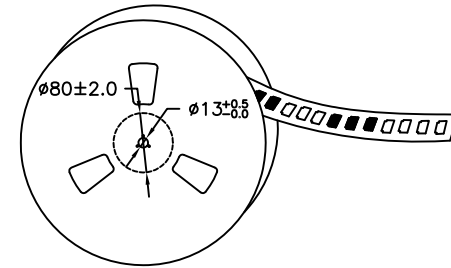
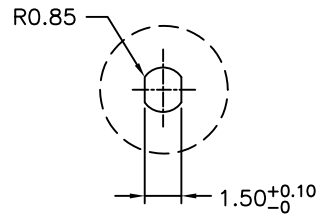
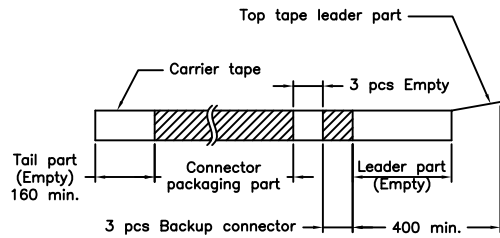
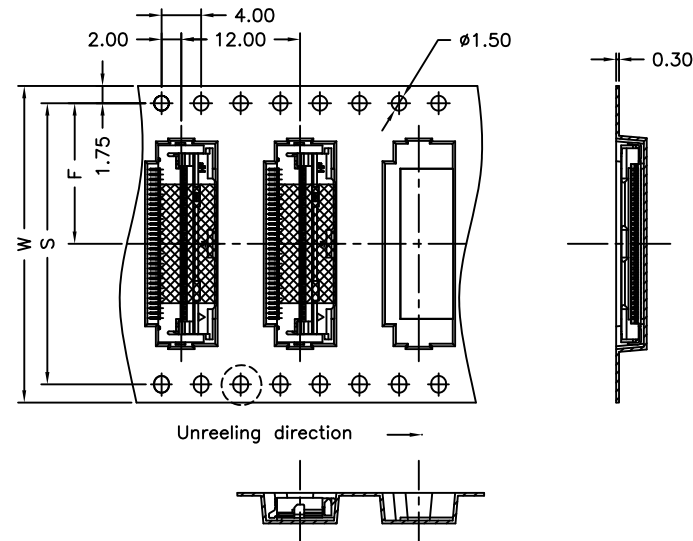
				UNIT	SCALE	SHEET	<b>TITLE:</b> 0.50mm PITCH FFC/FPC CONNECTOR, 90° SMT TYPE, ZIF, BOTTOM CONTACT STYLE, TAPING SPEC.
				mm	1 : 1	2 of 3	
A4	EN1309130333	2013.09.13	劉包根	DRAWN BY		APPROVED BY	
A3	EN1202270041	2012.02.27	劉包根	權生新	吳國維	2010.12.17 2010.12.17	
A2	EN1105180133	2011.05.18	權生新	GENERAL TOLERANCE			
A1	EN1104120095	2011.04.12	權生新	X. X±0.25	ANGLE±		
A0	NEW RELEASE	2010.12.17	權生新	X. XX±0.15			
REV.	DESCRIPTION	DATE	NAME	X. XXX±0.05			
DRAW NO. :						REV. A4	
F0502WR-S-XPXXXXXXX							



04~23 Contacts



24~60 Contacts



Number of Contacts	W±0.3	F±0.1	S±0.1	Q'ty/Reel	Number of Contacts	W±0.3	F±0.1	S±0.1	Q'ty/Reel	
04P	16	7.50		1,000	27P	32	14.20	28.40	1,000	
06P	16	7.50		28P	32	14.20	28.40	1,000		
07P	16	7.50		29P	32	14.20	28.40	1,000		
08P	16	7.50		30P	32	14.20	28.40	1,000		
09P	24	11.50		31P	32	14.20	28.40	1,000		
10P	24	11.50		32P	32	14.20	28.40	1,000		
11P	24	11.50		33P	32	14.20	28.40	1,000		
12P	24	11.50		34P	32	14.20	28.40	1,000		
13P	24	11.50		35P	44	20.20	40.40	1,000		
14P	24	11.50		36P	44	20.20	40.40	1,000		
15P	24	11.50		37P	44	20.20	40.40	1,000		
16P	24	11.50		38P	44	20.20	40.40	1,000		
17P	24	11.50		39P	44	20.20	40.40	1,000		
18P	24	11.50		40P	44	20.20	40.40	1,000		
19P	24	11.50		42P	44	20.20	40.40	1,000		
20P	24	11.50		45P	44	20.20	40.40	1,000		
21P	24	11.50		46P	44	20.20	40.40	1,000		
22P	24	11.50		50P	44	20.20	40.40	1,000		
23P	24	11.50		54P	44	20.20	40.40	1,000		
24P	32	14.20		28.40	1,000	55P	44	20.20	40.40	1,000
25P	32	14.20		28.40	1,000	60P	56	26.20	52.40	1,000
26P	32	14.20		28.40	1,000					

				UNIT	SCALE	SHEET	<b>TITLE:</b> 0.50mm PITCH FFC/FPC CONNECTOR, 90° SMT TYPE, ZIF, BOTTOM CONTACT STYLE, TAPING SPEC.
				mm	1 : 1	3 of 3	
DRAWN BY				APPROVED BY		DRAW NO. :	
權生新				吳國維			
2011.04.12				2011.04.12		REV. A4	
GENERAL TOLERANCE				ANGLE±			
A4	EN1309130333	2013.09.13	劉包根	X.X±0.25	F0502WR-S-XPXXXXXXX		
A3	EN1202270041	2012.02.27	劉包根	X.XX±0.15			
A2	EN1105180133	2011.05.18	權生新	X.XXX±0.05			
REV.	DESCRIPTION	DATE	NAME				

## X-ON Electronics

Largest Supplier of Electrical and Electronic Components

*Click to view similar products for [FFC & FPC Connectors](#) category:*

*Click to view products by [Joint Tech](#) manufacturer:*

Other Similar products are found below :

[00-6200-227-022-800](#) [006205250500825+](#) [006205280500825+](#) [FPH-1602G](#) [FPH-2022G](#) [52610-1275](#) [501864-3091-TR225](#)  
[086222026001800](#) [52610-0675](#) [62674-201121DLF](#) [62684-36210E9ALF](#) [52746-1671-TR250](#) [10051922-2810EHLF](#) [686322124422](#) [XF3M-](#)  
[2915-1B-R100](#) [AYF353125A](#) [AYF530665TA](#) [AYF534065TA](#) [AYF351525](#) [086212040340800+](#) [AYF530365TA](#) [67000-004LF](#)  
[006207341915000+](#) [207356-1](#) [67000-003LF](#) [HFW14R-2STE9LF](#) [SFW12R-5STE9LF](#) [SFW18R-1STAE9LF](#) [SFW4R-5STE9LF](#) [52807-0430](#)  
[046283021002868+](#) [502250-8027](#) [104267-9617](#) [66987-011LF](#) [HFW8S-2STAE1HLF](#) [67000-008LF](#) [HFW22R-2STE1H1LF](#) [0781271110](#)  
[5019511030](#) [200528-0260](#) [5039084120](#) [503908-5120](#) [SFW20R-1STGE5LF](#) [FH12-18S-0.5SH](#) [686116183522](#) [FH64MA-11S-0.25SHW](#)  
[686114183522](#) [502078-5362](#) [FH52K-68S-0.5SH](#) [FH26W-23S-0.3SHW\(60\)](#)