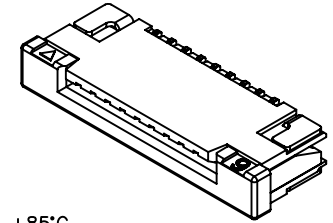




P/N LEGEND

F1003 WR-S-XP N L N XX X TO R  
 ① ② ③ ④ ⑤ ⑥ ⑦ ⑧ ⑨ ⑩ ⑪

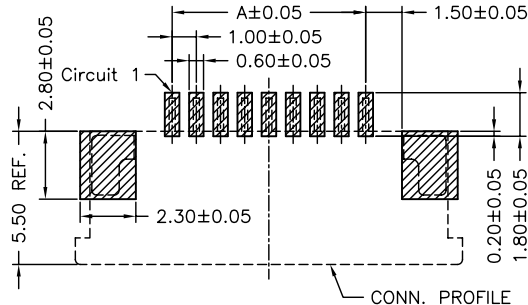
- ① Series No.
- ② Connector type: WR=Right angle
- ③ Mounting type: S=SMT
- ④ No. of circuits
- ⑤ N=Halogen Free
- ⑥ Material: L=LCP
- ⑦ Color: N=Natural(Beige)
- ⑧ Plating code for contacts:  
T1=Matte Tin-plated; G1=Gold-flash
- ⑨ Plating code for solder tabs:  
T=Matte Tin-plated; G=Gold-flash
- ⑩ Option code: T0=Top contact style
- ⑪ Packing code:  
R=Tape & Reel(Without Cap or Mylar)



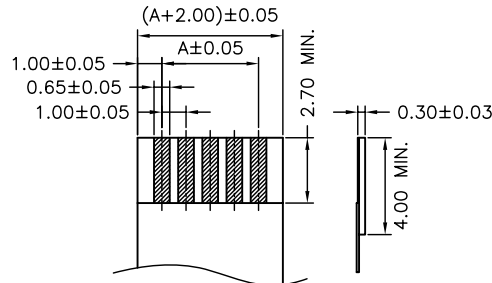
SPECIFICATIONS

Current Rating: 0.5A AC,DC  
 Voltage Rating: 50V AC,DC  
 Temperature Range: -25°C ~ +85°C  
 Contact Resistance: 30mΩ Max.  
 Insulation Resistance: 500MΩ Min.  
 Withstanding Voltage: 500V AC/minute  
 Contacts: Phosphor Bronze/Matte Tin-plated or Gold-flash  
 Solder Tabs: Brass/Matte Tin-plated or Gold-flash  
 Housing: LCP,UL94V-0,Natural(Beige)  
 Actuator: Nylon 6T,UL94V-0,Natural(Black)

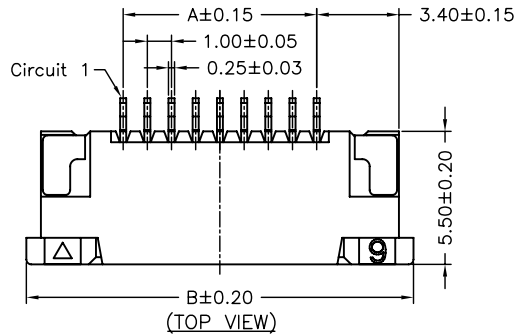
Circuit No.	Dimensions			Circuit No.	Dimensions		
	A	B	C		A	B	C
04P	3.00	11.00	5.10	20P	19.00	27.00	21.10
05P	4.00	12.00	6.10	21P	20.00	28.00	22.10
06P	5.00	13.00	7.10	22P	21.00	29.00	23.10
07P	6.00	14.00	8.10	23P	22.00	30.00	24.10
08P	7.00	15.00	9.10	24P	23.00	31.00	25.10
09P	8.00	16.00	10.10	25P	24.00	32.00	26.10
10P	9.00	17.00	11.10	26P	25.00	33.00	27.10
11P	10.00	18.00	12.10	27P	26.00	34.00	28.10
12P	11.00	19.00	13.10	28P	27.00	35.00	29.10
13P	12.00	20.00	14.10	29P	28.00	36.00	30.10
14P	13.00	21.00	15.10	30P	29.00	37.00	31.10
15P	14.00	22.00	16.10	31P	30.00	38.00	32.10
16P	15.00	23.00	17.10	32P	31.00	39.00	33.10
17P	16.00	24.00	18.10	33P	32.00	40.00	34.10
18P	17.00	25.00	19.10	34P	33.00	41.00	35.10
19P	18.00	26.00	20.10				



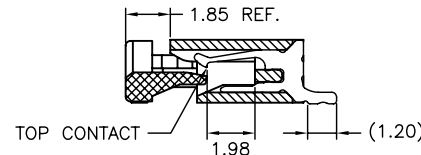
SUGGESTED PCB LAYOUT (TOP VIEW)



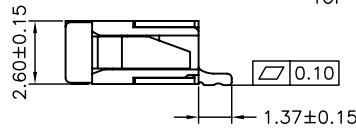
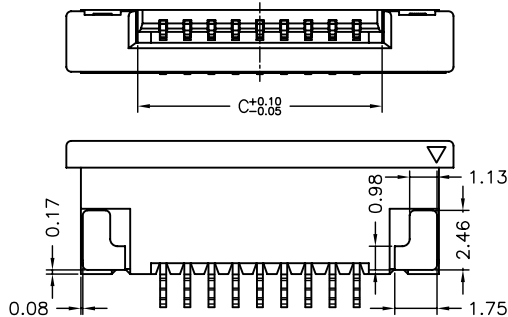
RECOMMENDED FFC/FPC DIMENSION



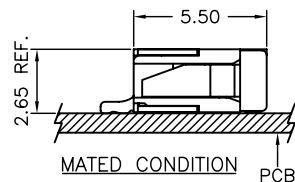
(TOP VIEW)



(ACTUATOR OPEN)



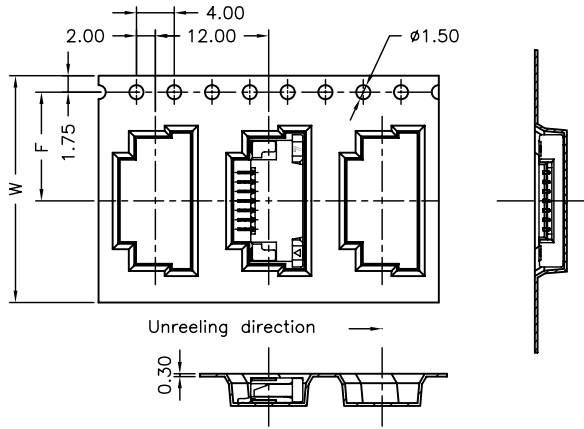
MATED CONDITION



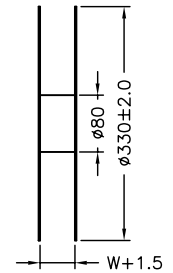
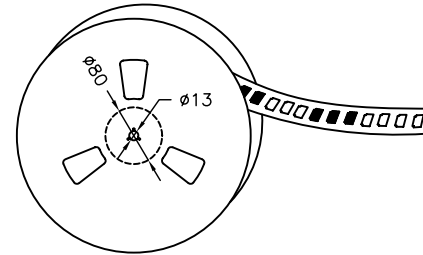
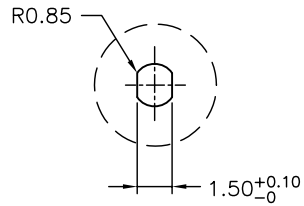
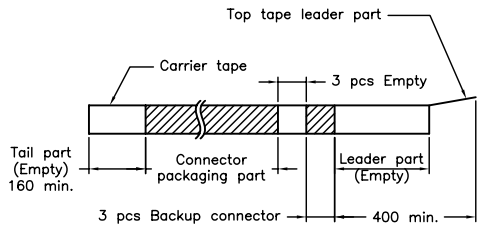
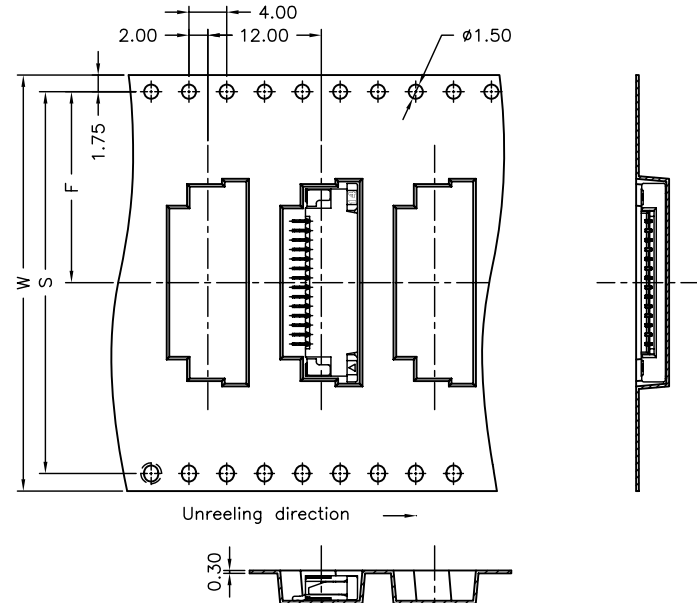
				燦達電子工業股份有限公司 JOINT TECH ELECTRONIC IND. CO., LTD.		
		UNIT	SCALE	SHEET		TITLE:
		mm	1 : 1	1 of 2		
		DRAWN BY		APPROVED BY		1.00mm PITCH FFC/FPC CONNECTOR, 90° SMT TYPE, ZIF, TOP CONTACT STYLE
		王自友		董正一		
		2009.11.26		2009.11.26		
				GENERAL TOLERANCE		
A2	EN1011150264	2010.11.15	權生新	X.X±0.25	ANGLE±	
A1	EN1008170218	2010.08.16	權生新	X.XX±0.15		
REV.	DESCRIPTION	DATE	NAME	X.XXX±0.05		
						DRAW NO. :
						F1003WR-S-XPXXXXXXTOX
						REV. A2



04~07 Contacts



08~34 Contacts



NOTE:  
Material: Transparent  
Anti-static Polystyrene.

Number of Contacts	W±0.3	F±0.1	S±0.1	Q'ty/Reel	Number of Contacts	W±0.3	F±0.1	S±0.1	Q'ty/Reel
04P	24	11.50	/	1,500	20P	44	20.20	40.40	1,500
05P	24	11.50		1,500	21P	44	20.20	40.40	1,500
06P	24	11.50		1,500	22P	44	20.20	40.40	1,500
07P	24	11.50		1,500	23P	44	20.20	40.40	1,500
08P	32	14.20	28.40	1,500	24P	44	20.20	40.40	1,500
09P	32	14.20	28.40	1,500	25P	44	20.20	40.40	1,500
10P	32	14.20	28.40	1,500	26P	56	26.20	52.40	1,500
11P	32	14.20	28.40	1,500	27P	56	26.20	52.40	1,500
12P	32	14.20	28.40	1,500	28P	56	26.20	52.40	1,500
13P	44	20.20	40.40	1,500	29P	56	26.20	52.40	1,500
14P	44	20.20	40.40	1,500	30P	56	26.20	52.40	1,500
15P	44	20.20	40.40	1,500	31P	56	26.20	52.40	1,500
16P	44	20.20	40.40	1,500	32P	56	26.20	52.40	1,500
17P	44	20.20	40.40	1,500	33P	56	26.20	52.40	1,500
18P	44	20.20	40.40	1,500	34P	56	26.20	52.40	1,500
19P	44	20.20	40.40	1,500					

				燦達電子工業股份有限公司 JOINT TECH ELECTRONIC IND. CO., LTD.			
		UNIT	SCALE	SHEET		TITLE:	
		mm	1 : 1	2 of 2			
		DRAWN BY		APPROVED BY		1.00mm PITCH FFC/FPC CONNECTOR, 90° SMT TYPE, ZIF, TOP CONTACT STYLE, TAPING SPEC.	
		王自友		董正一			
		2009.11.26		2009.11.26			
				GENERAL TOLERANCE			
A2	EN1011150264	2010.11.15	權生新	X.X±0.25	ANGLE±		DRAW NO. : F1003WR-S-XPXXXXXXTOX
A1	EN1008170218	2010.08.16	權生新	X.XX±0.15			
REV.	DESCRIPTION	DATE	NAME	X.XXX±0.05			
				REV. A2			

## X-ON Electronics

Largest Supplier of Electrical and Electronic Components

*Click to view similar products for [FFC & FPC Connectors](#) category:*

*Click to view products by [Joint Tech](#) manufacturer:*

Other Similar products are found below :

[00-6200-227-022-800](#) [006205250500825+](#) [006205280500825+](#) [FPH-1422G](#) [FPH-1602G](#) [FPH-2022G](#) [52610-1075](#) [52610-1275](#) [52610-1934](#)  
[501864-3091-TR225](#) [086222026001800](#) [52610-0675](#) [62674-201121DLF](#) [62684-36210E9ALF](#) [52746-1671-TR250](#) [10051922-2810EHLF](#) [6-](#)  
[520415-9](#) [686322124422](#) [XF3M-2915-1B-R100](#) [AYF353125A](#) [AYF530665TA](#) [AYF534065TA](#) [AYF351525](#) [086212040340800+](#)  
[AYF530365TA](#) [67000-004LF](#) [006207341915000+](#) [207356-1](#) [67000-003LF](#) [HFW14R-2STE9LF](#) [SFW12R-5STE9LF](#) [SFW18R-1STAE9LF](#)  
[SFW4R-5STE9LF](#) [52807-0430](#) [046283021002868+](#) [502250-8027](#) [104267-9617](#) [66987-011LF](#) [HFW8S-2STAE1HLF](#) [67000-008LF](#)  
[HFW22R-2STE1H1LF](#) [0781271110](#) [5019511030](#) [200528-0260](#) [5039084120](#) [503908-5120](#) [SFW20R-1STGE5LF](#) [FH12-18S-0.5SH](#)  
[686116183522](#) [FH64MA-11S-0.25SHW](#)