


WALL INSTALLATION BOXES AND ACCESSORIES

PK-25/55 Junction box

DESCRIPTION gland D-30 7 pcs
DIMENSION 125 x 125 x 80
COLOR

CARTON QUANTITY

PK-25/67 ears for sealing
IP-67 is possible with IP67 screwing glands.



Glands Screwing glands

COLOR

DIAMETER OF MOUNTING HOLES

CABLE DIAMETERS

M12 3,0 mm do 6,5 mm
M16 5,0 mm do 10,0 mm
M20 10,0 mm do 14,0 mm
M25 13,0 mm do 18,0 mm
M32 18,0 mm do 25,0 mm
M40 22,0 mm do 32,0 mm
M50 30,0 mm do 38,0 mm




POR-37x47 Junction box for cable pipes

DESCRIPTION Four holes for fitting glands
DIMENSION 150 x 150 x 65
COLOR

CARTON QUANTITY

ears for sealing

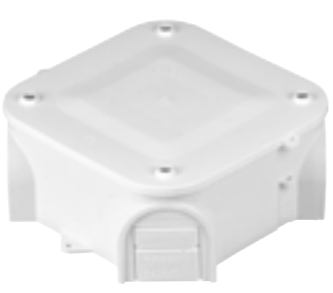


POK - 15x20 Junction box for cable trays

DESCRIPTION Four holes for fitting glands
DIMENSION 150 x 150 x 65
COLOR

CARTON QUANTITY

ears for sealing




Glands Fitting glands for POR or POK boxes

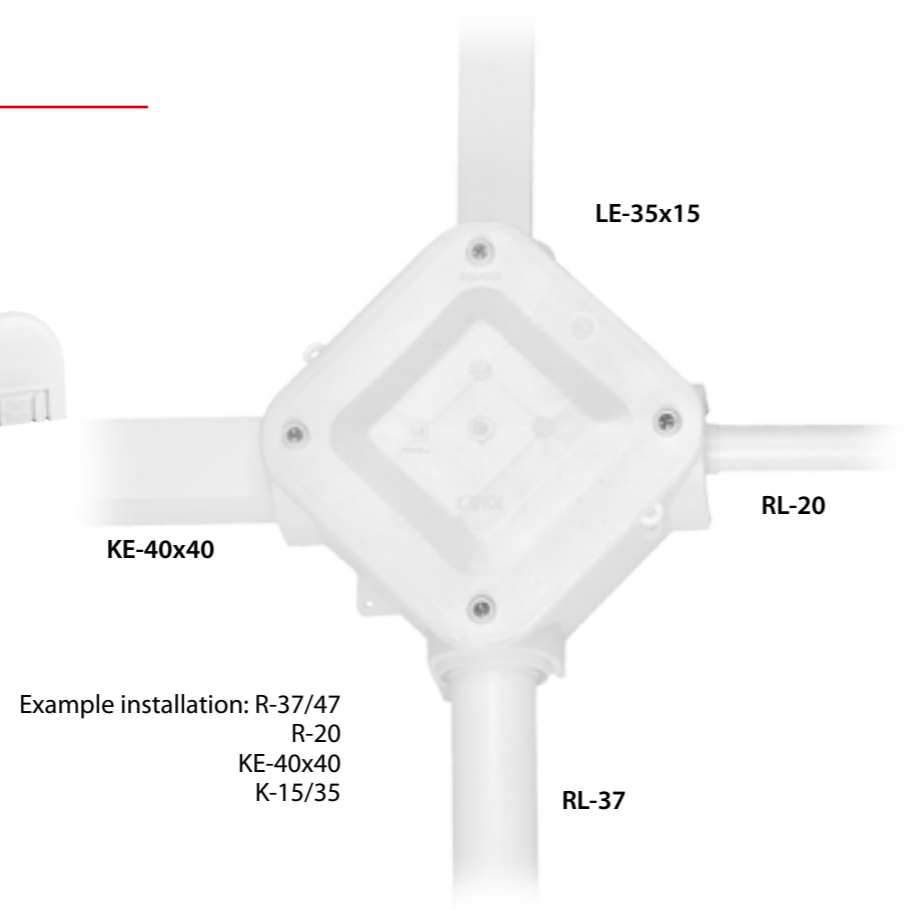
PROFILE R-18/28, R-20, R-22, R-37/47
K-15/20, K-15/35, K-25/40, K-40/40

COLOR

CARTON QUANTITY



It is possible to assembly different types of cable pipes and trays thanks to wide spectrum of fitting glands.



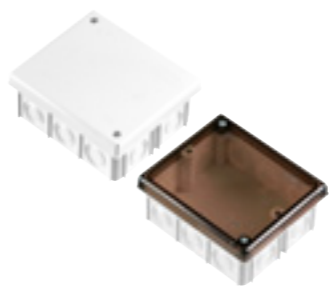
WALL INSTALLATION BOXES

PK-100 Junction box

DESCRIPTION fourteen holes Ø 16-21
DIMENSION 80 x 95 x 40
COLOR

CARTON QUANTITY

ears for sealing

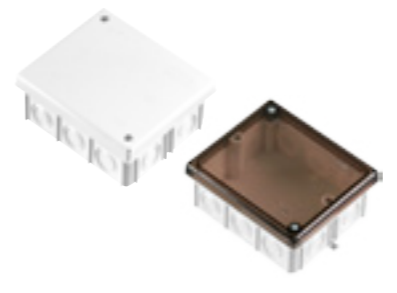


PK-102 Junction box for dry walls

DESCRIPTION fourteen holes Ø 16-21
DIMENSION 80 x 95 x 40
COLOR

CARTON QUANTITY

ears for sealing




PK-104 Junction box

DESCRIPTION gland D-16 10 szt, fourteen holes Ø 16-21
DIMENSION 80 x 95 x 40
COLOR

CARTON QUANTITY

ears for sealing

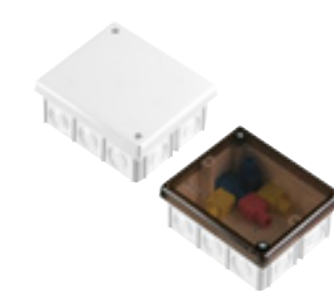


PK-101 Junction box

DESCRIPTION fourteen holes Ø 16-21, terminal 1x4 5 szt.
DIMENSION 80 x 95 x 40
COLOR

CARTON QUANTITY

ears for sealing

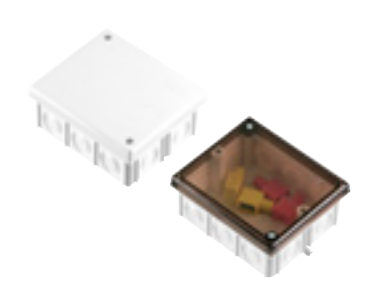


PK-103 Junction box for dry walls

DESCRIPTION fourteen holes Ø 16-21, terminal 1x4 5 szt.
DIMENSION 80 x 95 x 40
COLOR

CARTON QUANTITY

ears for sealing

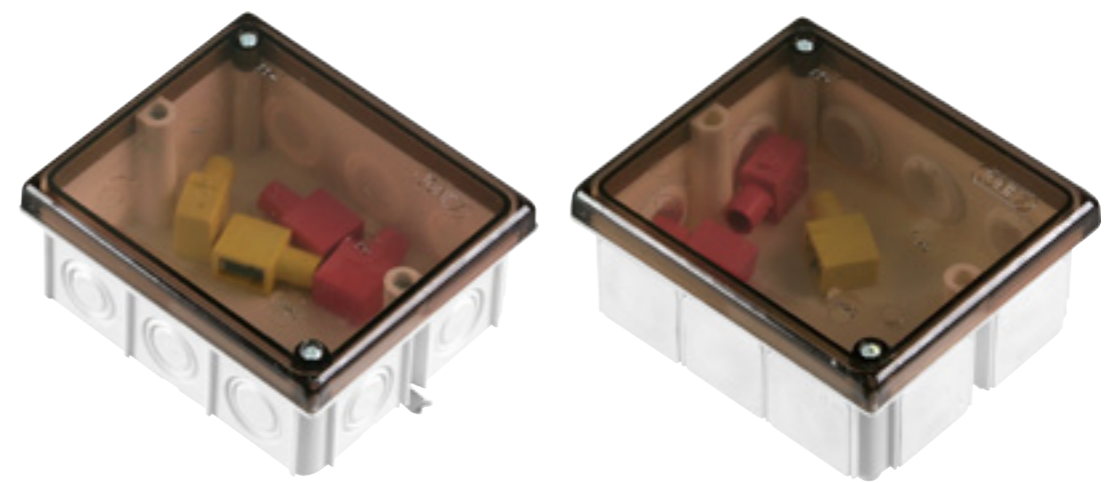


PK-105 Junction box

DESCRIPTION gland D-16 10 szt, fourteen holes Ø 16-21, terminal 1x4 5 szt
DIMENSION 80 x 95 x 40
COLOR

CARTON QUANTITY

ears for sealing

X-ON Electronics

Largest Supplier of Electrical and Electronic Components

Click to view similar products for [Electrical Enclosures](#) category:

Click to view products by [Jonex](#) manufacturer:

Other Similar products are found below :

[MR-25L+](#) [30-8739](#) [30-9715](#) [A242012LP](#) [A16N12BLP](#) [81641001](#) [9511096](#) [9511016](#) [16.4330000](#) [127-906](#) [79021101](#) [73383001](#) [EKIV 17](#)
[19817001](#) [2327000](#) [2534100](#) [2561400](#) [18600801](#) [19001201](#) [19001301](#) [19501001](#) [19500601](#) [19701101](#) [19600901](#) [TM 0808](#) [TRH 24](#)
[A317SEAL](#) [A3735SEAL](#) [A3783SEAL](#) [UV 150 K](#) [UV 250 K](#) [X10 R LGR-TR](#) [X01 UT G LGR](#) [X16C LGR-TR](#) [X25C LGR-TR](#) [T 160 OE](#)
[HD LGR](#) [T 350 OE HD LGR](#) [T 60 M20](#) [T 60 M20 NL](#) [SDB 03 PS](#) [P2018SEAL](#) [12.0000011](#) [12.0000012](#) [04.3080000](#) [04.3090000](#) [KM-](#)
[326G](#) [2763-00](#) [2765-00](#) [2761-00](#) [20500703-D101000](#)