



WALL INSTALLATION BOXES

**PK-8G** Junction box for dry walls

DESCRIPTION eight holes Ø 21 + two holes Ø 21-37


DIMENSION 190 x 170 x 80

COLOR 

CARTON QUANTITY  8

**IP20**

ears for sealing





**PK-8GL** smoke cover

**PK-8D** Junction box

DESCRIPTION four holes Ø 21, gland D-25 4 pcs and D-30 2 pcs


DIMENSION 190 x 170 x 80

COLOR 

CARTON QUANTITY  8

**IP54**

ears for sealing





**PK-8DL** smoke cover

**PK-9** Junction box

DESCRIPTION eight holes Ø 21 + two holes Ø 21-37

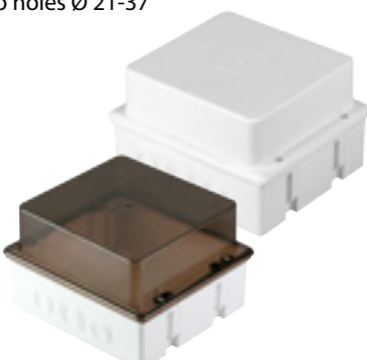
DIMENSION 165 x 185 x 116

COLOR 

CARTON QUANTITY  4

**IP20**

ears for sealing





**PK-9L** smoke cover

**PK-9G** Junction box for dry walls

DESCRIPTION eight holes Ø 21 + two holes Ø 21-37


DIMENSION 165 x 185 x 116

COLOR 

CARTON QUANTITY  4

**IP20**

ears for sealing





**PK-9GL** smoke cover

**PK-9D** Junction box

DESCRIPTION four holes Ø 21, gland D-25 4 pcs and D-30 2 pcs


DIMENSION 165 x 185 x 116

COLOR 

CARTON QUANTITY  4

**IP54**

ears for sealing

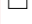



**PK-9DL** smoke cover

**PK-10** Junction box

DESCRIPTION six holes Ø 21-37


DIMENSION 235 x 150 x 75

COLOR 

CARTON QUANTITY  4

**IP55**


ears for sealing




**PK-10D** Junction box

DESCRIPTION gland D-30 6 pcs


DIMENSION 235 x 150 x 75

COLOR 

CARTON QUANTITY  4

**IP55**


ears for sealing




**PK-11** Junction box

DESCRIPTION six holes Ø 21-37


DIMENSION 235 x 150 x 115

COLOR 

CARTON QUANTITY  4

**IP40**

ears for sealing





WALL INSTALLATION BOXES

**PK-11D** Junction box

DESCRIPTION eight holes, gland D-30 6 pcs


DIMENSION 235 x 150 x 115

COLOR 

CARTON QUANTITY  4

**IP55**


ears for sealing




**PO-T** Junction box

DESCRIPTION six holes, terminal 5x2,5


DIMENSION 90 x 80 x 24


COLOR 

CARTON QUANTITY  60

**IP20**

**PO-T/p** without terminals


CARTON QUANTITY  50




**PH-B** Junction box


DESCRIPTION gland D-13,5 4 pcs + terminal 4x2,5


DIMENSION 60 x 60 x 30

COLOR 

CARTON QUANTITY  48 **IP44**

**PH-B/p** without terminals


CARTON QUANTITY  40




**PO-75** Junction box


DESCRIPTION gland D-13,5 4 pcs. + terminal 1x2,5 4 pcs

DIMENSION 75 x 75 x 30

COLOR 

CARTON QUANTITY  50


**IP44**




**PK-22/55** Junction box

DESCRIPTION seven holes Ø 21, gland D-25 7 pcs

DIMENSION 100 x 100 x 50


COLOR 

CARTON QUANTITY  12 **IP55**

ears for sealing

**PK-22/67** IP-67 is possible with IP67 screwing glands.


**IP67**




**PO-75/p** Junction box without terminals


DESCRIPTION gland D-13,5 4 pcs

DIMENSION 75 x 75 x 30

COLOR 

CARTON QUANTITY  40


**IP44**

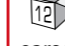


**PK-24/55** Junction box

DESCRIPTION seven holes Ø 21, gland D-30 7 pcs

DIMENSION 125 x 125 x 50


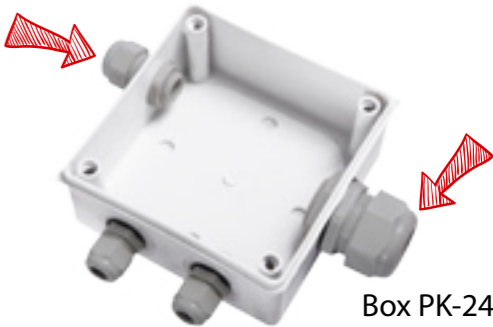
COLOR 

CARTON QUANTITY  12 **IP55**

ears for sealing

**PK-24/67** IP-67 is possible with IP67 screwing glands.

**IP67**

Box PK-24/67 with assembled screwing glands 2xM16 i M20 oraz M32

## X-ON Electronics

Largest Supplier of Electrical and Electronic Components

*Click to view similar products for [Electrical Enclosures](#) category:*

*Click to view products by [Jonex](#) manufacturer:*

Other Similar products are found below :

[MR-25L+](#) [30-8739](#) [30-9715](#) [A242012LP](#) [A16N12BLP](#) [81641001](#) [9511096](#) [9511016](#) [16.4330000](#) [127-906](#) [79021101](#) [73383001](#) [EKIV 17](#)  
[19817001](#) [2327000](#) [2534100](#) [2561400](#) [18600801](#) [19001201](#) [19001301](#) [19501001](#) [19500601](#) [19701101](#) [19600901](#) [TM 0808](#) [TRH 24](#)  
[A317SEAL](#) [A3735SEAL](#) [A3783SEAL](#) [UV 150 K](#) [UV 250 K](#) [X10 R LGR-TR](#) [X01 UT G LGR](#) [X16C LGR-TR](#) [X25C LGR-TR](#) [T 160 OE](#)  
[HD LGR](#) [T 350 OE HD LGR](#) [T 60 M20](#) [T 60 M20 NL](#) [SDB 03 PS](#) [P2018SEAL](#) [12.0000011](#) [12.0000012](#) [04.3080000](#) [04.3090000](#) [KM-](#)  
[326G](#) [2763-00](#) [2765-00](#) [2761-00](#) [20500703-D101000](#)