



WALL INSTALLATION BOXES

PK-1 Installation box

DESCRIPTION: 125 x 125 x 75


DIMENSION: 125 x 125 x 75

COLOR: 

CARTON QUANTITY:  18

IP20


ears for sealing




PK-2/P Junction box

DESCRIPTION: PVC gland Ø 25mm x 4 pcs


DIMENSION: 103 x 103 x 60

COLOR: 

CARTON QUANTITY:  24

IP44


ears for sealing




PK-2/K Junction box

DESCRIPTION: gland for cable trays x 4 pcs


DIMENSION: 103 x 103 x 60

COLOR: 

CARTON QUANTITY:  24

IP20

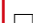
ears for sealing




PK-2/R Junction box

DESCRIPTION: gland for cable pipes x 4 pcs


DIMENSION: 103 x 103 x 60

COLOR: 

CARTON QUANTITY:  24

IP44


ears for sealing




PK-3 Installation box

DESCRIPTION: 125 x 125 x 35


DIMENSION: 125 x 125 x 35

COLOR: 

CARTON QUANTITY:  30

IP20


ears for sealing




PK-4 Junction box

DESCRIPTION: PVC gland Ø 25mm x 4 pcs


DIMENSION: 125 x 125 x 45

COLOR: 

CARTON QUANTITY:  24

IP44


ears for sealing




PK-5 Junction box

DESCRIPTION: PVC gland Ø 25mm x 4 pcs


DIMENSION: 125 x 125 x 70

COLOR: 

CARTON QUANTITY:  18

IP44


ears for sealing




PK-8 Junction box

DESCRIPTION: eight holes Ø 21 + two holes Ø 21-37

DIMENSION: 190 x 170 x 80


COLOR: 

CARTON QUANTITY:  8

IP20

ears for sealing

PK-8L smoke cover




Surface junction and installation boxes, connection boards

X-ON Electronics

Largest Supplier of Electrical and Electronic Components

Click to view similar products for [Electrical Enclosures](#) category:

Click to view products by [Jonex](#) manufacturer:

Other Similar products are found below :

[MR-25L+](#) [30-8739](#) [30-9715](#) [A242012LP](#) [A16N12BLP](#) [81641001](#) [9511096](#) [9511016](#) [127-906](#) [79021101](#) [73383001](#) [EKIV 17](#) [EKIV 37](#)
[19817001](#) [2327000](#) [2534100](#) [2561400](#) [18600801](#) [19001201](#) [19001301](#) [19501001](#) [19500601](#) [19701101](#) [19600901](#) [TM 0808](#) [TRH 24](#)
[A317SEAL](#) [A3735SEAL](#) [A3783SEAL](#) [G1189G\(BC\)](#) [UV 150 K](#) [UV 250 K](#) [X10 R LGR-TR](#) [X01 UT G LGR](#) [X16C LGR-TR](#) [X25C LGR-](#)
[TR](#) [T 160 OE HD LGR](#) [T 350 OE HD LGR](#) [SDB 03 PS](#) [P2018SEAL](#) [12.0000011](#) [12.0000012](#) [04.3080000](#) [04.3090000](#) [KM-326G](#) [2763-00](#)
[2765-00](#) [20500703-D101000](#) [PK-60/60M ORANGE](#) [IMT35026](#)