




**MOUNTING BOXES N-ROW**

**PK-62/45** Flush mounting box 2-row

DIMENSION  $\varnothing 62 \times 45 \times 2$


COLOR 

CARTON QUANTITY 




**PK-62/60**


DIMENSION  $\varnothing 62 \times 60 \times 2$




**PK-63/45** Flush mounting box 3-row

DIMENSION  $\varnothing 63 \times 45 \times 3$


COLOR 

CARTON QUANTITY 




**PK-63/60**


DIMENSION  $\varnothing 63 \times 60 \times 3$




**PK-62/45M** Flush mounting box 2-row with assembly screws

DIMENSION  $\varnothing 62 \times 45 \times 2$


COLOR 

CARTON QUANTITY 




**PK-62/60M**


DIMENSION  $\varnothing 62 \times 60 \times 2$




**PK-63/45M** Flush mounting box 3-row with assembly screws

DIMENSION  $\varnothing 63 \times 45 \times 3$


COLOR 

CARTON QUANTITY 




**PK-63/60M**


DIMENSION  $\varnothing 63 \times 60 \times 3$




**PK-62/45G** Dry wall mounting box 2-row with assembly screws

DIMENSION  $\varnothing 62 \times 45 \times 2$


COLOR 

CARTON QUANTITY 




**PK-62/60G**


DIMENSION  $\varnothing 62 \times 60 \times 2$




**PK-63/45G** Dry wall mounting box 3-row with assembly screws

DIMENSION  $\varnothing 63 \times 45 \times 3$


COLOR 

CARTON QUANTITY 

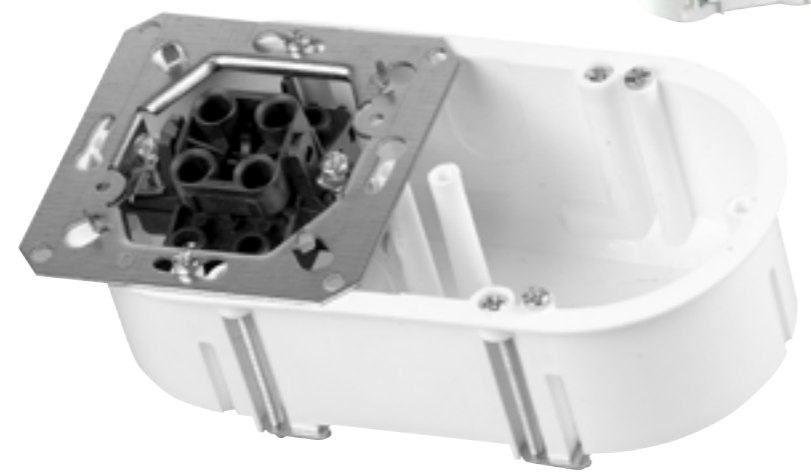


**PK-63/60G**

DIMENSION  $\varnothing 63 \times 60 \times 3$



- six connection grommets
- spacing 71 mm
- easy to break culverts
- IP-20





**TERMINAL STRIPS**

**ZO-1/2,5** Terminal strip

DIMENSION 1-way; 2,5 mm<sup>2</sup>


COLOR mixed colours


CARTON QUANTITY 



**ZO-1/4**


DIMENSION 1-way; 4,0 mm<sup>2</sup>


CARTON QUANTITY 




**ZO-4/2,5** Terminal strip

DIMENSION 4-way; 2,5 mm<sup>2</sup>


COLOR 


CARTON QUANTITY 



**ZO-5/2,5**


DIMENSION 5-way; 2,5 mm<sup>2</sup>


CARTON QUANTITY 




**ZO-4/4** Terminal strip

DIMENSION 4-way; 4 mm<sup>2</sup>


COLOR 

CARTON QUANTITY 




**ZO-5/4**


DIMENSION 5-way; 4 mm<sup>2</sup>




**ZO-4/10** Terminal strip

DIMENSION 4-way; 10 mm<sup>2</sup>


COLOR 

CARTON QUANTITY 




**ZO-5/10**


DIMENSION 5-way; 10 mm<sup>2</sup>




**ZO-4/16** Terminal strip

DIMENSION 4-way; 16 mm<sup>2</sup>


COLOR 

CARTON QUANTITY 



**ZO-5/16**


DIMENSION 5-way; 16 mm<sup>2</sup>




**ZO-4/35** Terminal strip

DIMENSION 4-way; 35 mm<sup>2</sup>

COLOR 

CARTON QUANTITY 



**ZO-5/35**


DIMENSION 5-way; 35 mm<sup>2</sup>




**ZO-4/35B** Terminal strip

DIMENSION 4-way; 35 mm<sup>2</sup>

COLOR holes spacing 56 mm


CARTON QUANTITY 




**ZO-5/35B**


DIMENSION 5-way; 35 mm<sup>2</sup>

holes spacing 83 mm




**LZ** Terminal strip - 12 lines

COLOR 

CARTON QUANTITY 

LZ 12x2,5  
LZ 12x4  
LZ 12x6  
LZ 12x10  
LZ 12x16



## X-ON Electronics

Largest Supplier of Electrical and Electronic Components

*Click to view similar products for [Electrical Enclosures](#) category:*

*Click to view products by [Jonex](#) manufacturer:*

Other Similar products are found below :

[MR-25L+](#) [30-8739](#) [30-9715](#) [A242012LP](#) [A16N12BLP](#) [81641001](#) [9511096](#) [9511016](#) [16.4330000](#) [127-906](#) [79021101](#) [73383001](#) [EKIV 17](#)  
[19817001](#) [2327000](#) [2534100](#) [2561400](#) [18600801](#) [19001201](#) [19001301](#) [19501001](#) [19500601](#) [19701101](#) [19600901](#) [TM 0808](#) [TRH 24](#)  
[A317SEAL](#) [A3735SEAL](#) [A3783SEAL](#) [UV 150 K](#) [UV 250 K](#) [X10 R LGR-TR](#) [X01 UT G LGR](#) [X16C LGR-TR](#) [X25C LGR-TR](#) [T 160 OE](#)  
[HD LGR](#) [T 350 OE HD LGR](#) [T 60 M20](#) [T 60 M20 NL](#) [SDB 03 PS](#) [P2018SEAL](#) [12.0000011](#) [12.0000012](#) [04.3080000](#) [04.3090000](#) [KM-](#)  
[326G](#) [2763-00](#) [2765-00](#) [2761-00](#) [20500703-D101000](#)