




FUSE BOXES


**S-2** Wall fuse box 2x

DESCRIPTION For two fuses

DIMENSION 136 x 42 x 65

COLOR 


CARTON QUANTITY  12  
 IP30  
 ears for sealing


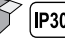


**S-3** Wall fuse box 3x


DESCRIPTION For three fuses

DIMENSION 136 x 61 x 65

COLOR 

CARTON QUANTITY  12  IP30  
 ears for sealing


**S-3Z** with terminal






**S-4** Wall fuse box 4x

DESCRIPTION For four fuses

DIMENSION 141 x 87 x 67


COLOR 


CARTON QUANTITY  10  
 IP30  
 ears for sealing




**S-7/PT** Dry wall fuse box 7x

DIMENSION 168 x 160 x 70


COLOR 



CARTON QUANTITY  10  
 IP30




**S-9/PT** Dry wall fuse box 9x

DIMENSION 191 x 160 x 70


COLOR 


CARTON QUANTITY  10  
 IP30

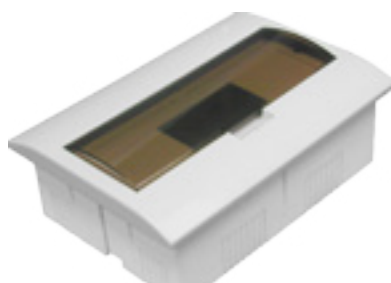


**S-12/PT** Dry wall fuse box 12x

DIMENSION 248 x 160 x 70

COLOR 

CARTON QUANTITY  6  
 IP30






FUSE BOXES


**S-4/K** Wall fuse box 4x

DESCRIPTION Contains 2 conector strips and 5 terminals

DIMENSION 113 x 150 x 77,5

COLOR 


CARTON QUANTITY  10  
 IP40  
 ears for sealing






**S-7/K** Wall fuse box 7x

DESCRIPTION Contains 2 conector strips and 10 terminals

DIMENSION 170 x 150 x 77,5

COLOR 


CARTON QUANTITY  10  
 IP40  
 ears for sealing






**S-9/K** Wall fuse box 9x

DESCRIPTION Contains 2 conector strips and 10 terminals

DIMENSION 200 x 150 x 77,5

COLOR 


CARTON QUANTITY  10  
 IP40  
 ears for sealing






**S-12/K** Wall fuse box 12x

DESCRIPTION Contains 2 conector strips and 13 terminals

DIMENSION 257 x 150 x 77,5

COLOR 


CARTON QUANTITY  10  
 IP40  
 ears for sealing





**S-6/40** Wall fuse box 6x


DESCRIPTION Contains 2 conector strips and 7 terminals four holes

DIMENSION 130 x 155 x 90

COLOR 

CARTON QUANTITY  6  IP40  
 ears for sealing


**S-6/40 D** glands D-30 4 pcs






**S-6/55 D** Wall fuse box 6x

DESCRIPTION Contains 2 conector strips and 7 terminals four holes glands D-30 x 4 pcs

DIMENSION 130 x 155 x 90

COLOR 


CARTON QUANTITY  6  
 IP55  
 ears for sealing





**S-12/40** Wall fuse box 12x


DESCRIPTION Contains 2 conector strips and 13 terminals four holes six holes

DIMENSION 150 x 235 x 90

COLOR 

CARTON QUANTITY  4  IP40  
 ears for sealing


**S-12/40 D** glands D-30 6 pcs






**S-12/55 D** Wall fuse box 12x

DESCRIPTION Contains 2 conector strips and 13 terminals four holes glands D-30 x 6 pcs

DIMENSION 150 x 235 x 90

COLOR 

CARTON QUANTITY  4  
 IP55  
 ears for sealing




Ears for sealing

## X-ON Electronics

Largest Supplier of Electrical and Electronic Components

*Click to view similar products for [Enclosures for Industrial Automation](#) category:*

*Click to view products by [Jonex](#) manufacturer:*

Other Similar products are found below :

[116-508](#) [2202307](#) [2790318](#) [5030266](#) [706-102](#) [2977487](#) [115-401](#) [795-001](#) [790-211](#) [733-820](#) [05410002](#) [13435](#) [S-12/40D IP-40 WHITE](#)  
[C.1548](#) [MIP12118](#) [2000602](#) [MIP12112T](#) [2000604](#) [CN 70 AK-SET](#) [13433](#) [13963](#) [S-7/PT WHITE](#) [S-3Z WHITE](#) [MIP12312T](#) [S-9/PT](#)  
[WHITE](#) [MIP22112](#) [MIP22112T](#) [ZD1004J ABS V0](#) [S-7/K WHITE](#) [CN 55 AK-SET](#) [2000603](#) [NSYCAG291LPF](#) [XAPD1201](#) [MIP12312](#) [CN](#)  
[22 AK-SET](#) [13434](#) [13957](#) [MIP22312T](#) [2000605](#) [S-12/40 IP-40 WHITE](#) [MIP12112](#) [S-12/55D IP-55 WHITE](#) [MIP22212T](#) [C.14508](#) [S-4/K](#)  
[WHITE](#) [NSYCRN65150P](#) [S-12/K WHITE](#) [S-6/40 IP-40 WHITE](#) [MIP22108T](#) [MIP12108](#)