



ORDERING CODE

JNR 05 S 100 L 6 5 P U5

Joyin NTC Thermistor

Element Size(disc dia.)

- 05 = 5mm      08 = 8mm
- 10 = 10 mm    13 = 13mm
- 15 = 15mm    20 = 20mm

Series

S = Inrush current limiting

Resistance of thermistor at 25°C

- 0R7 = 0.7    1R3 = 1.3    1R5 = 1.5    2R5 = 2.5
- 030 = 3      040 = 4      050 = 5      060 = 6
- 070 = 7      080 = 8      100 = 10     120 = 12
- 130 = 13     150 = 15     160 = 16     180 = 18
- 200 = 20     220 = 22     250 = 25     300 = 30
- 470 = 47     500 = 50     800 = 80     121 = 120
- 221 = 220

Tolerance

- L = ± 15%
- M = ± 20%

Lead Wire Diameter

- 6 = 0.6 ± 0.05mm
- 8 = 0.8 ± 0.05mm
- 1 = 1.0 ± 0.05mm

Lead Length & Packaging

- U4 = 24mm min. for Bulk and Kink lead
- U5 = 25mm min. for Bulk and Straight lead
- AW= H0 16mm for Ammo and Kink lead
- AY= H0 20mm for Ammo and Straight lead
- RW= H0 16mm for T/R and Kink lead
- RY = H0 20mm for T/R and Straight lead

\* Special lead length & packaging per request.

Lead Style

- Y=Kink Lead
- P= Straight Lead
- \* Special lead styles per request

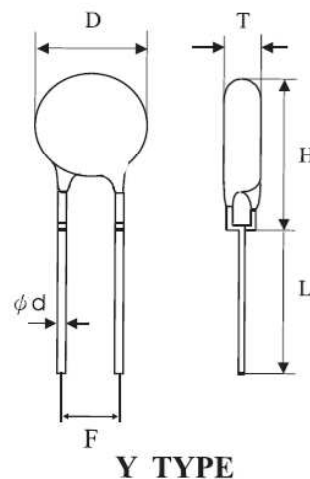
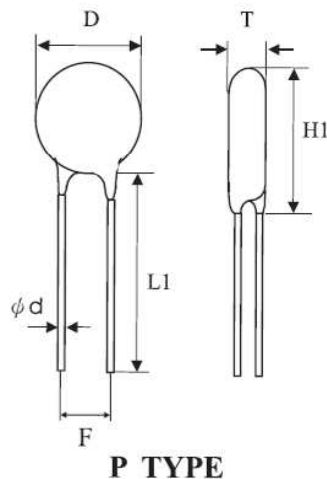
Lead Spacing

- 5=5.0mm
- 7=7.5mm
- 1=10mm

Dimension Table

unit:mm

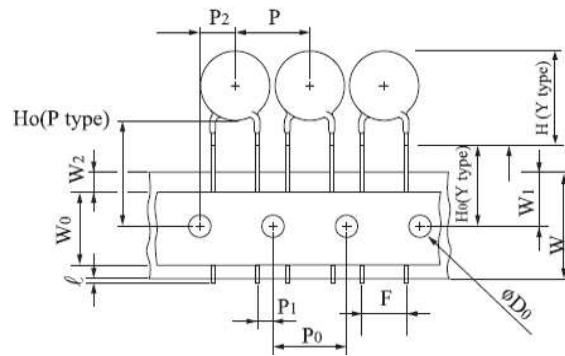
Dim( φ )	5 φ	8 φ	10 φ	13 φ	15 φ	20 φ
D max.	7.5	10.5	12.5	15.5	17.5	23.0
d±0.05	0.6/0.8	0.6/0.8	0.6/0.8	0.8/1.0	0.8/1.0	1.0
F±1.0	5.0	5.0	5.0/7.5	7.5	7.5	7.5/10.0
H max.	11.0	14.5	18.5	21.0	23.0	28.0
H1 max.	10.0	13.5	17.5	19.0	22.0	27.0
L min.	24.0	24.0	24.0	24.0	24.0	24.0
L1 min	25.0	25.0	25.0	25.0	25.0	25.0
T max.	6.0	6.0	7.5	8.0	8.0	8.0



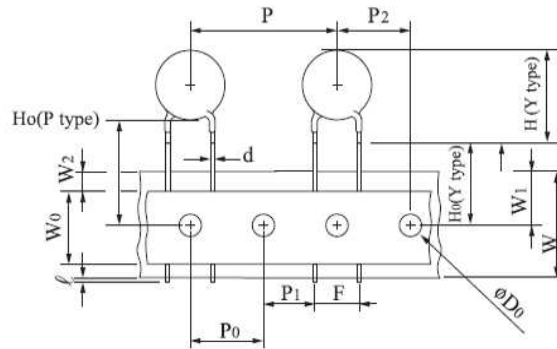


Tape and Reel Dimensions

1/2" pitch



1.0" pitch

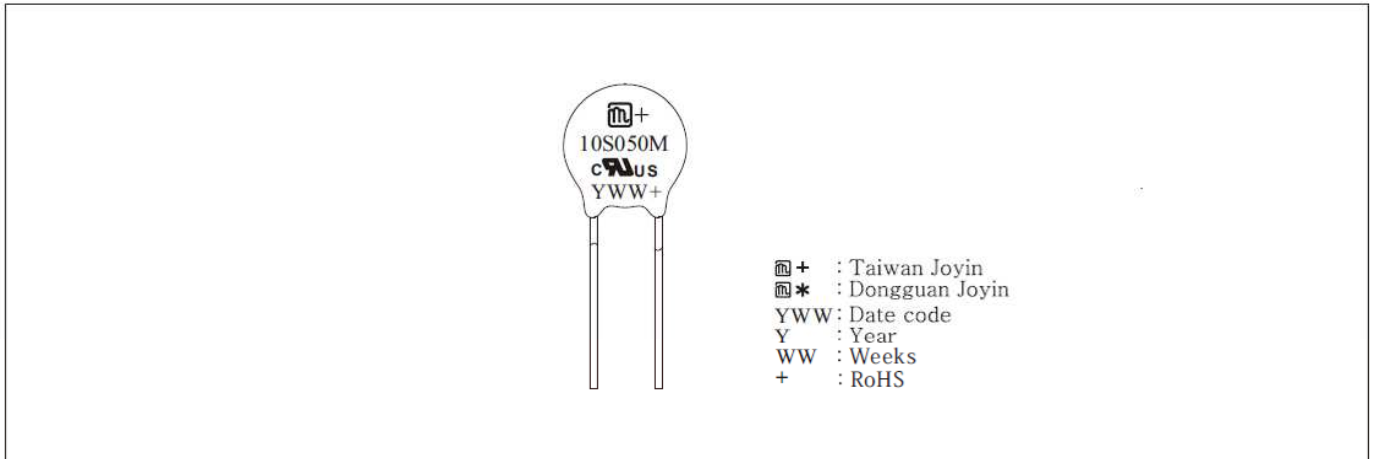


Symbols	Item	5/8/10mm	8/10/13/15/20mm	20mm
$\ell$	Cut out length	1.1 mm max.	1.1 mm max.	
H (Y type)	Height of Top	See H max. table		
Ho(Y type)	Height to seating plane	16.0 ± 0.5 mm (* ± 1.0mm)	16.0 ± 0.5 mm (* ± 1.0mm)	
Ho(P type)	Height of component from hole center	16.0~21.0 mm	16.0~21.0 mm	
$\Delta h$	Front to back deviation	0 ± 2.0 mm	0 ± 2.0 mm	
W	Carrier tape width	18.0 <sup>+1.0</sup> / <sub>-0.5</sub> mm	18.0 <sup>+1.0</sup> / <sub>-0.5</sub> mm	
W <sub>0</sub>	Hold down tape width	10.0 mm	12.0 mm	
W <sub>1</sub>	Sprocket hole position	9.0 <sup>+0.75</sup> / <sub>-0.5</sub> mm	9.0 <sup>+0.75</sup> / <sub>-0.5</sub> mm	
W <sub>2</sub>	Adhesive tape position	3.0 mm max.	3.0 mm max.	
F	Component lead spacing	5.0 <sup>+0.8</sup> / <sub>-0.2</sub> mm	7.5 <sup>+0.8</sup> / <sub>-0.2</sub> mm	10.0 <sup>+0.8</sup> / <sub>-0.2</sub> mm
P	Pitch of component	12.7 ± 1.0 mm	25.4 ± 1.0 mm	
P <sub>0</sub>	Sprocket hole pitch	12.7 ± 0.3 mm	12.7 ± 0.3 mm	
P <sub>1</sub>	Lead length from hole center to lead	3.85 ± 0.7 mm	8.95 ± 0.7 mm	7.7 ± 0.7 mm
P <sub>2</sub>	Length from hole center to disk center	6.35 ± 1.3 mm	12.7 ± 1.3 mm	
D <sub>0</sub>	Sprocket hole diameter	4.0 ± 0.2 mm	4.0 ± 0.2 mm	
d	Lead wire diameter	0.6 ± 0.05 mm	0.8 ± 0.05 mm	1.0 ± 0.05 mm
T	Disk thickness	See T max. table	See T max. table	
t <sub>1</sub>	Total thickness tape	0.7 ± 0.05 mm	0.7 ± 0.05mm	
t <sub>2</sub>	Total thickness	1.6 mm max.	1.8 mm max.	

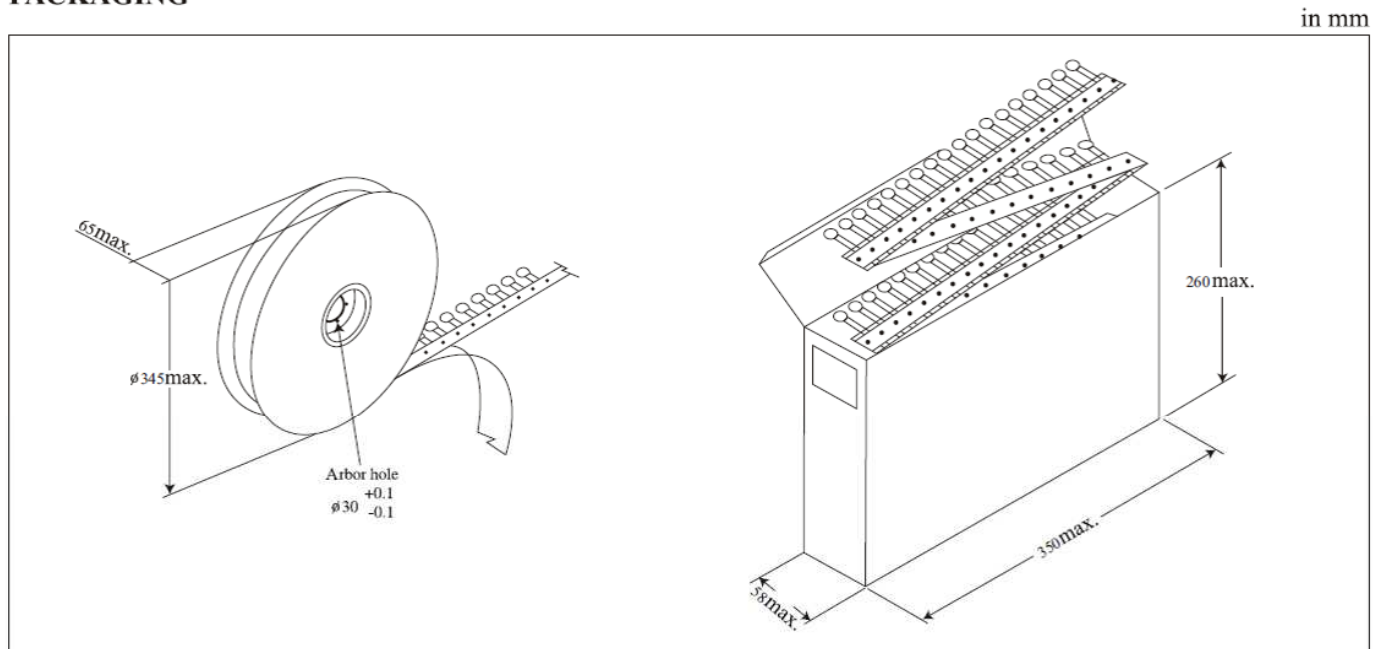
\*For manual line



MARKING



PACKAGING



Quantity per Packing Unit

Diameter \ Packaging	5mm	8mm	10mm	13mm	15mm	20mm
Bulk (pcs/box)	5000	4000	1250-2500	750-2000	750-1500	500-750
Reel	1500	1500	750-1000	750-1000	500-750	—
Ammo	1500	1500	750-1000	750-1000	—	—

Packaging	Bulk (box)	Reel (5mm~13mm)	Reel (15mm~20mm)	Ammo (5mm,8mm)	Ammo (10mm~15mm)	Ammo (10mm~15mm)	Ammo (20mm)
Box size (mm)	290x155x110	350x350x108	350x350x74	330x240x46	343x210x52	343x260x52	343x220x58
Carton size (mm)	310x328x250	371x371x590	370x370x468	350x500x270	363x440x250	363x540x250	363x460x250
One carton with	4 Boxes	5 Boxes (10 reels)	6 Boxes(6 reels)	10 Boxes	8 Boxes	8 Boxes	8 Boxes

## X-ON Electronics

Largest Supplier of Electrical and Electronic Components

*Click to view similar products for [NTC \(Negative Temperature Coefficient\) Thermistors](#) category:*

*Click to view products by [Joyin](#) manufacturer:*

Other Similar products are found below :

[118-253FAJ-P01](#) [121-202EAC-P01](#) [123-802EAJ-P01](#) [128-105NDP-Q02](#) [135-503LAD-J01](#) [B57250V2104F360](#) [B57250V2473F560](#)  
[B57620C472K962](#) [NTCLE410E3103F](#) [A1004SG22P0](#) [199-303KAF-A02](#) [30054-4](#) [M09N038F](#) [B57423V2473H062](#) [B57471V2474H062](#)  
[B57620C5223J062](#) [500-52AA04-101](#) [526-31AA19-104](#) [526-31AN12-202](#) [103AT-5-1P-FT](#) [10K3A542I](#) [112-103FAG-H02](#) [112-104KAG-](#)  
[B01](#) [11028414-00](#) [111-182CAG-H01](#) [112-103FAF-H01](#) [112-104KBF-F01](#) [118-202CAJ-P01](#) [526-31AA79-102](#) [B57442V5103J62](#)  
[B57401V2103H62](#) [B57621C5472J62](#) [11032565-00](#) [194303KEVA01](#) [NTCACAPE3C90193](#) [USP11595](#) [B57359V2224J260](#)  
[B57343V5103J360](#) [50070974-003-01](#) [189-602LDR-A01](#) [B57621C5472K062](#) [135-105QAF-J02](#) [B57421V2153J062](#) [B57230V2103H260](#)  
[B57471V2684H062](#) [B57471V2333H062](#) [126-153YJC-B01](#) [NTCS0603E3333FHT](#) [118-802EAJ-P01](#) [121-103FAC-Q02](#)