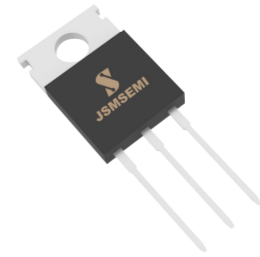


**DESCRIPTION**

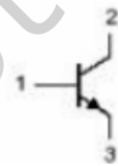
- Collector-Emitter Breakdown Voltage  
 $-V_{(BR)CEO} = 100V(\text{Min})$
- Collector-Emitter Saturation Voltage  
 $-V_{CE(sat)} = 1.5V(\text{Max}) @ I_C = 6A$

**APPLICATIONS**

- Designed for power amplifier, high speed switching and regulated power supply applications.



TO-220


**ABSOLUTE MAXIMUM RATINGS (Ta=25°C)**

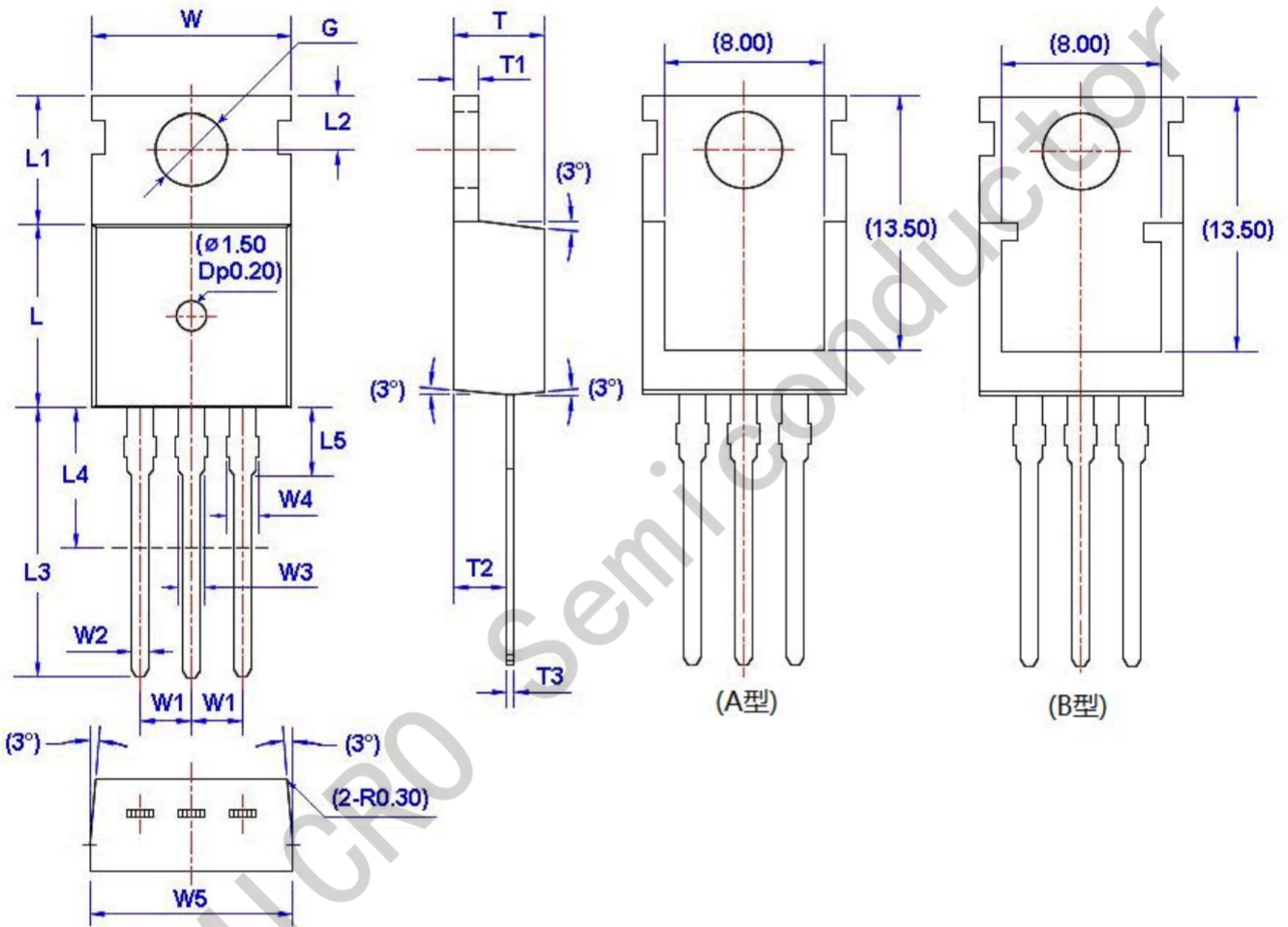
SYMBOL	PARAMETER	VALUE	UNIT
V <sub>CBO</sub>	Collector-Base Voltage	100	V
V <sub>CEO</sub>	Collector-Emitter Voltage	100	V
V <sub>EBO</sub>	Emitter-Base Voltage	5	V
I <sub>C</sub>	Collector Current-Continuous	6	A
I <sub>CM</sub>	Peak Pulse Current	10	A
P <sub>C</sub>	Collector Power Dissipation	65	W
T <sub>J</sub>	Junction Temperature	150	°C
T <sub>stg</sub>	Storage Temperature Range	-65~150	°C

**ELECTRICAL CHARACTERISTICS (T<sub>c</sub>=25°C unless otherwise specified)**

SYMBOL	PARAMETER	CONDITIONS	MIN	TYP	MAX	UNIT
V <sub>CE(SUS)</sub>	Collector-Emitter Breakdown Voltage	I <sub>C</sub> =30mA; I <sub>B</sub> = 0	100	--	--	V
I <sub>CES</sub>	Collector Cutoff Current	V <sub>CE</sub> = 100V; V <sub>EB</sub> = 0	--	--	400	uA
I <sub>CEO</sub>	Collector Cutoff Current	V <sub>CE</sub> = 60V; I <sub>E</sub> = 0	--	--	0.7	mA
I <sub>EBO</sub>	Emitter Cutoff Current	V <sub>EB</sub> = 5V; I <sub>C</sub> = 0	--	--	1.0	mA
V <sub>CE(sat)</sub>	Collector-Emitter Saturation Voltage	I <sub>C</sub> = 6A; I <sub>B</sub> = 1.0A	--	--	1.5	V
V <sub>BE(on)</sub>	Base-Emitter Turn-On Voltage	I <sub>C</sub> = 6A; V <sub>CE</sub> = 4V	--	--	2.0	V
h <sub>FE</sub>	DC Current Gain	I <sub>C</sub> = 0.3A; V <sub>CE</sub> = 4V	30	--	--	
h <sub>FE</sub>	DC Current Gain	I <sub>C</sub> =3A; V <sub>CE</sub> = 4V	15			

### Package Information

TO-220



Unit: mm

Symbol	Size		Symbol	Size		Symbol	Size		Symbol	Size	
	Min	Max		Min	Max		Min	Max		Min	Max
W	9.66	10.28	W5	9.80	10.20	L4**	6.20	6.60	T3	0.45	0.60
W1	2.54 (TYP)		L	9.00	9.40	L5	2.79	3.30	G( $\Phi$ )	3.50	3.70
W2	0.70	0.95	L1	6.40	6.80	T	4.30	4.70			
W3	1.17	1.37	L2	2.70	2.90	T1	1.15	1.40			
W4*	1.32	1.72	L3	12.70	14.27	T2	2.20	2.60			

## X-ON Electronics

Largest Supplier of Electrical and Electronic Components

*Click to view similar products for [Bipolar Transistors - BJT category](#):*

*Click to view products by [JSMSEMI manufacturer](#):*

Other Similar products are found below :

[BC559C](#) [MCH4017-TL-H](#) [MMBT-2369-TR](#) [BC546/116](#) [NJVMJD148T4G](#) [NTE16](#) [NTE195A](#) [IMX9T110](#) [2N4401-A](#) [2N6728](#) [2SA1419T-TD-H](#) [2SB1204S-TL-E](#) [2SC5488A-TL-H](#) [FMC5AT148](#) [2N2369ADCSM](#) [2N2907A](#) [2N3904-NS](#) [2N5769](#) [2SC4618TLN](#) [CPH6501-TL-E](#) [US6T6TR](#) [BAX18/A52R](#) [BC556/112](#) [IMZ2AT108](#) [MMST8098T146](#) [MCH6102-TL-E](#) [BC846B-13-F](#) [2N3879](#) [30A02MH-TL-E](#) [NTE13](#) [NTE282](#) [NTE323](#) [NTE350](#) [NTE81](#) [JANTX2N2920L](#) [JANSR2N2907AUB](#) [CMLT3946EG TR](#) [SNSS40600CF8T1G](#) [CMLT3906EG TR](#) [GRP-DATA-JANS2N2907AUB](#) [GRP-DATA-JANS2N2222AUA](#) [MMDT3946FL3-7](#) [2N4240](#) [JANS2N3019](#) [MSB30KH-13](#) [2N2221AUB](#) [2SD1815T-TL-E](#) [2N6678](#) [2N2907Ae4](#) [JAN2N3507](#)