

描述 / Descriptions

TO-220 塑封封装 双向可控硅。

Triac in a TO-220 Plastic Package.

特征 / Features

高转换性能。

High commutation performances.

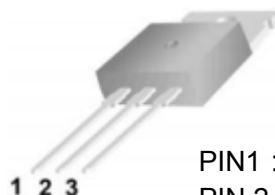
用途 / Applications

用于快速双向电压转换和热循环装置。

Use in applications requiring high bidirectional

transient and blocking voltage capability and

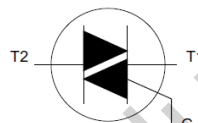
high thermal cycling performance.



PIN1 : Main Terminal 1

PIN 2 : Main Terminal 2

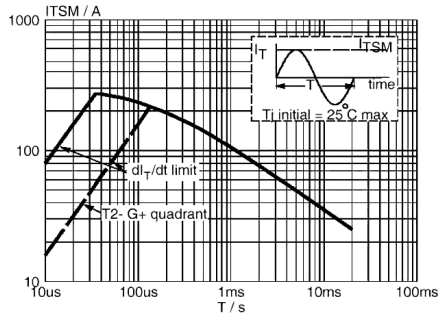
PIN 3 : Gate


极限参数 / Absolute Maximum Ratings(Ta=25°C)

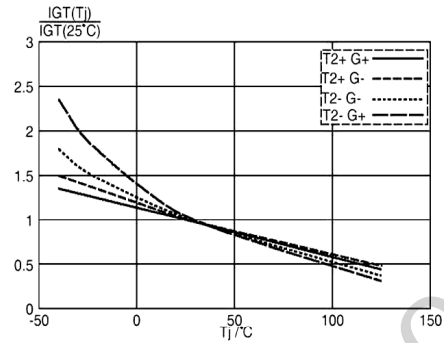
参数 Parameter	符号 Symbol	数值 Rating		单位 Unit
		600	800	
Repetitive peak off-state voltages	V_{DRM}	600	800	V
RMS on-state current	$I_{T(RMS)}$	4.0		A
Non-repetitive peak on-state current	$I_{TSM}(t=20ms)$	25		A
Non-repetitive peak on-state current	$I_{TSM}(t=16.7ms)$	27		A
I^2t for fusing	$I^2t_{(t=10ms)}$	3.1		A ² S
Peak gate current	I_{GM}	2.0		A
Peak gate voltages	V_{GM}	5.0		V
Peak gate power	P_{GM}	5.0		W
Average gate power	$P_{G(AV)}$	0.5		W
Junction Temperature	T_j	125		°C
Storage Temperature Range	T_{stg}	-40~150		°C
Thermal resistance junction to ambient	$R_{th(j-a)}$	60		K/W
Thermal resistance junction to mounting base	$R_{th(j-b)}$	3.0		K/W

电性能参数 / Electrical Characteristics(Ta=25°C)

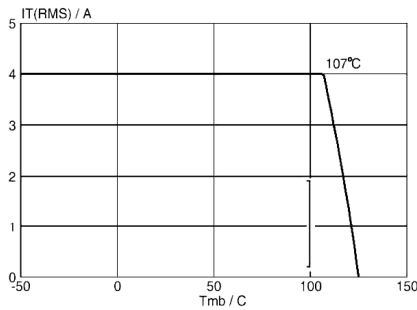
参数 Parameter	符号 Symbol	测试条件 Test Conditions	最小值 Min	典型值 Typ	最大值 Max	单位 Unit	
Gate trigger current	I_{GT}	$V_D=12V$ $I_T=0.1A$	T2+G+		2.5	10	mA
			T2+G-		4.0	10	
			T2-G-		5.0	10	
			T2-G+		11	25	
Latching current	I_L	$V_D=12V$ $I_{GT}=0.1A$	T2+G+		3.0	15	mA
			T2+G-		10	20	
			T2-G-		2.5	15	
			T2-G+		4.0	20	
Holding current	I_H	$V_D=12V$ $I_{GT}=0.1A$		2.2	15	mA	
On-state voltage	V_T	$I_T=5.0A$		1.4	1.7	V	
Gate trigger voltage	V_{GT}	$V_D=12V$ $I_T=0.1A$		0.7	1.5	V	
		$V_D=400V, I_T=0.1A,$ $T_j=125^\circ C$	0.25	0.4			
Off-state leakage current	I_D	$V_D=V_{DRM(max)}$ $T_j=125^\circ C$		0.1	0.5	mA	
Critical rate of rise of off-state current	t_{gt}	$I_{TM}=6A, V_D=V_{DRM(max)}$ $I_G=0.1A$ $di_g/dt=5A/\mu s$		2.0		μs	
Repetitive peak off-state current	dV_D/dt	$V_D=67\% V_{DRM(max)}$ gate open $T_j=125^\circ C$		50		V/ μs	

电参数曲线图 / Electrical Characteristic Curve


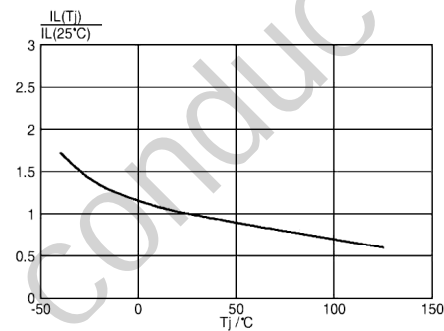
Maximum permissible non-repetitive peak on-state current I_{TSM} , versus pulse width t_p , for sinusoidal currents, $t_p \leq 20ms$.



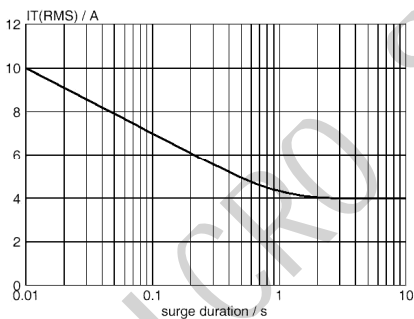
Normalised gate trigger current $I_{GT}(T_j) / I_{GT}(25^\circ C)$, versus junction temperature T_j .



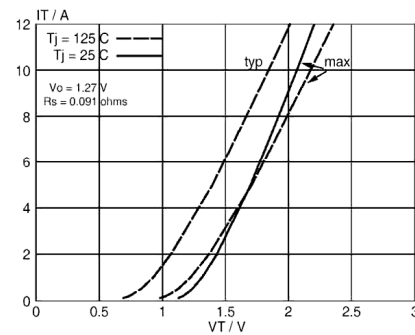
Maximum permissible rms current $I_{T(RMS)}$, versus mounting base temperature T_{mb} .



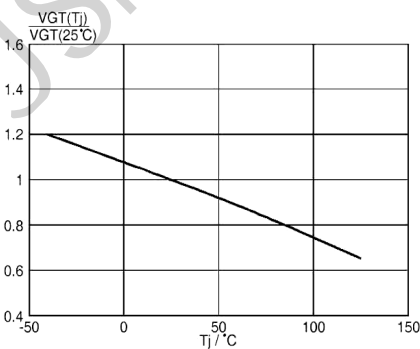
Normalised latching current $I_L(T_j) / I_L(25^\circ C)$, versus junction temperature T_j .



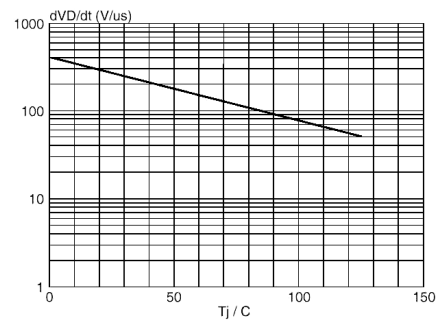
Maximum permissible repetitive rms on-state current $I_{T(RMS)}$, versus surge duration, for sinusoidal currents, $f = 50 Hz$; $T_{mb} \leq 107^\circ C$.



Typical and maximum on-state characteristic.



Normalised gate trigger voltage $V_{GT}(T_j) / V_{GT}(25^\circ C)$, versus junction temperature T_j .

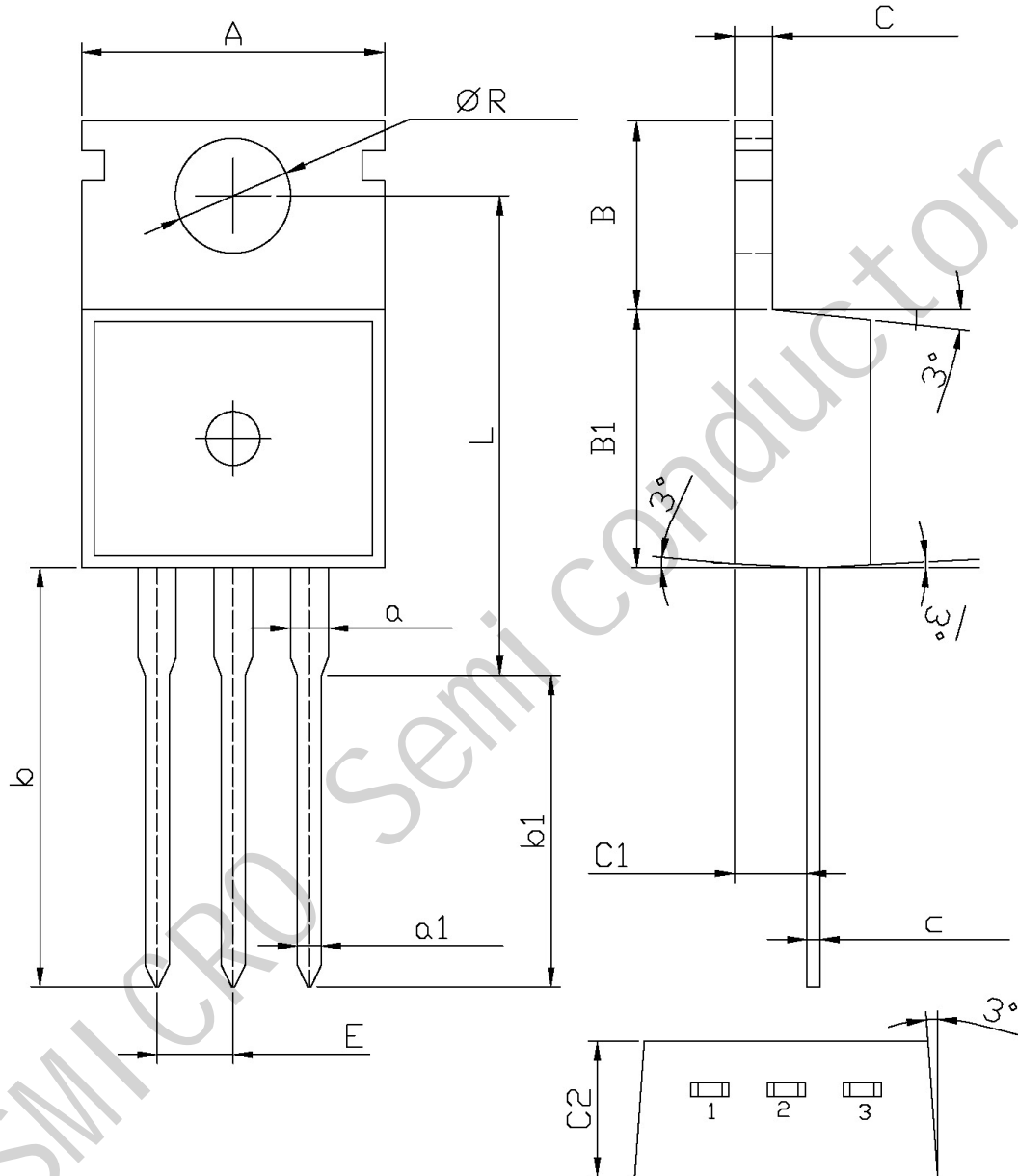


Typical, critical rate of rise of off-state voltage, dV_D/dt versus junction temperature T_j .

外形尺寸图 / Package Dimensions

T0-220

单位: mm



Symbol	Dimensions In Millimeters		Symbol	Dimensions In Millimeters	
	Min	Max		Min	Max
A	9.8	10.2	C	1.2	1.4
R	3.56	3.64	B	6.3	6.7
L	15.7	16.1	B1	9.0	9.4
b	12.6	13.6	C1	2.2	2.6
b1	9.6	10.6	a1	0.7	0.9
a	1.22	1.32	c	0.4	0.6
E	2.34	2.74	C2	4.3	4.7

X-ON Electronics

Largest Supplier of Electrical and Electronic Components

Click to view similar products for [Triacs](#) category:

Click to view products by [JSMSEMI](#) manufacturer:

Other Similar products are found below :

[BT137-600-0Q](#) [2N6075A](#) [NTE5688](#) [D31410](#) [ACS102-5T1](#) [ACS102-5TA](#) [MAC97A4G](#) [Z0107MAG](#) [Z0107MARL1G](#) [Z0109MARLRPG](#)
[BTA316-800ET,127](#) [BTA316-800CTQ](#) [ACTT8X-800CTNQ](#) [MCR22-6G](#) [BTA16-800B\(MS\)](#) [TYN1025RG-JSM](#) [BT138-600D](#) [BTA26-800BRG](#) [BT138-600E](#) [BTA24-600CWRG](#) [BTA16-800CWRG](#) [BT138-600E](#) [BTA08-800CW](#) [BTB24-800CW](#) [BTA16-800CW](#) [BTA16-600CW](#) [BT169](#) [MCR100-6U](#) [FT10050-12P](#) [BT151S-600R](#) [BT136-800E](#) [BT136S](#) [PCR606J](#) [CT404D-800S](#) [JST24A-800CW](#) [JST60IS-1600BW](#) [TYN810RG-JSM](#) [BT139B-600E-JSM](#) [TYN812RG-JSM](#) [BT152-800R](#) [BTB16-800BRG-JSM](#) [BTA20-800CRG TO-220](#) [BTA16-800BRG](#) [BTW69-1200RG](#) [TYN825RG-JSM](#) [BTA12-600CRG](#) [BT136-600E](#) [BTA12-600BRG](#) [BT139-600E](#) [BTA24-800CRG TO-220](#)