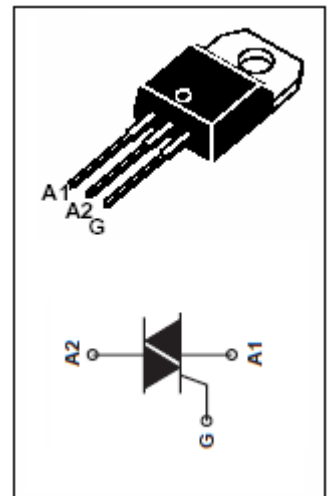


FEATURES

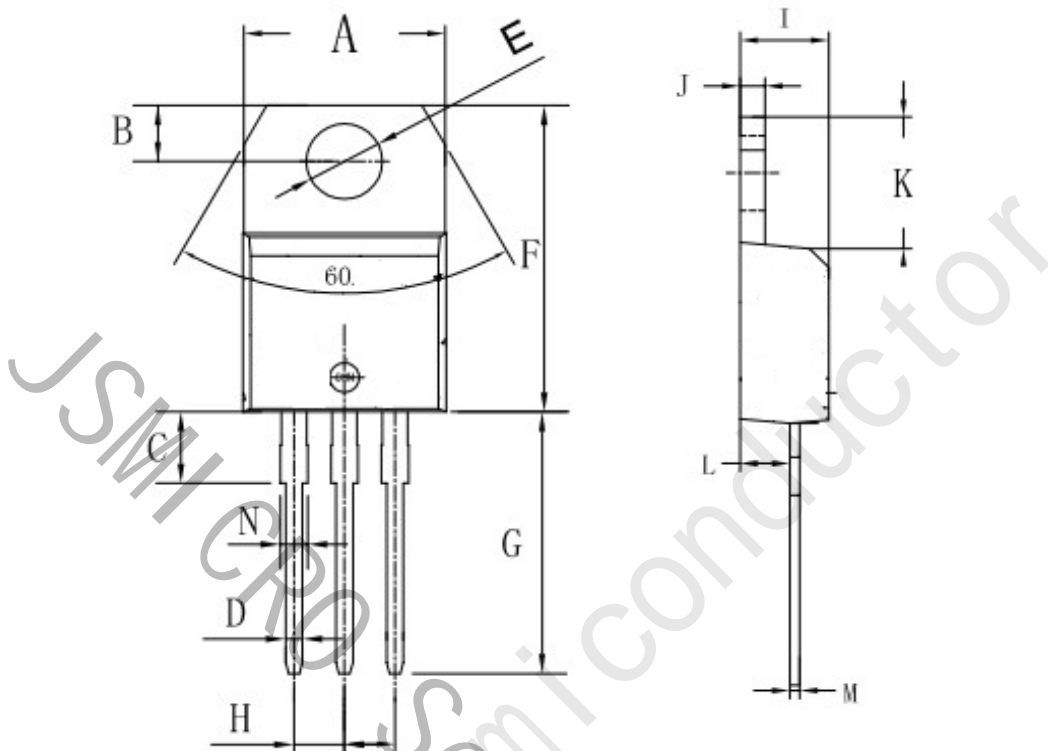
- With TO-220AB insulated package
- Suitable for general purpose AC switching . which can be used as an ON/OFF function in applications such as static relays, heating regulation, Induction motor starting circuits or for phase control in light dimmers, motor speed controllers etc.

ABSOLUTE MAXIMUM RATINGS(Ta=25°C)

SYMBOL	PARAMETER	MIN	UNIT
V _{DRM}	Repetitive peak off-state voltage	600	V
V _{RRM}	Repetitive peak reverse voltage	600	V
I _{T(RMS)}	RMS on-state current (full sine wave) T _j =105°C	8	A
I _{TSM}	Non-repetitive peak on-state current t _p =20ms	80	A
T _j	Operating junction temperature	110	°C
T _{stg}	Storage temperature	-45~150	°C
R _{th(j-c)}	Thermal resistance, junction to case	2.5	°C/W
R _{th(j-a)}	Thermal resistance, junction to ambient	60	°C/W


ELECTRICAL CHARACTERISTICS (T_c=25°C unless otherwise specified)

SYMBOL	PARAMETER		CONDITIONS	MAX	UNIT
I _{RRM}	Repetitive peak reverse current		V _R =V _{RRM} , V _R =V _{RRM} , T _j =110°C	0.01 0.5	mA
I _{DRM}	Repetitive peak off-state current		V _D =V _{DRM} , V _D =V _{DRM} , T _j =110°C	0.01 0.5	mA
I _{GT}	Gate trigger current	I - II - III	V _D =12V; R _L = 30 Ω	5	mA
I _H	Holding current		I _{GT} = 0.1A, Gate Open	10	mA
V _{GT}	Gate trigger voltage	I - II - III	V _D =12V; R _L = 30 Ω	1.3	V
V _{TM}	On-state voltage		I _T = 11A; t _p = 380 μ s	1.55	V

TO-220 AB PACKAGE OUTLINE DIMENSIONS


Symbol	Dimensions In Millimeters		Dimensions In Inches	
	Min	Max	Min	Max
A	9.8	10.4	0.385	0.409
B	2.65	3.1	0.104	0.122
C	2.8	4.2	0.110	0.165
D	0.7	0.92	0.027	0.036
E	3.75	3.95	0.147	0.155
F	14.8	16.1	0.582	0.633
G	13.05	13.6	0.513	0.535
H	2.4	2.7	0.094	0.106
I	4.38	4.61	0.172	0.181
J	1.15	1.36	0.045	0.053
K	5.85	6.82	0.230	0.268
L	2.35	2.75	0.092	0.108
M	0.35	0.65	0.013	0.025
N	1.18	1.42	0.046	0.055

X-ON Electronics

Largest Supplier of Electrical and Electronic Components

Click to view similar products for [Triacs](#) category:

Click to view products by [JSMSEMI](#) manufacturer:

Other Similar products are found below :

[BT137-600-0Q](#) [OT415Q](#) [2N6075A](#) [NTE5688](#) [BTA2008W-800D,135](#) [D31410](#) [ACS102-5T1](#) [ACS102-5TA](#) [MAC97A4G](#) [Z0107MAG](#)
[Z0107MARL1G](#) [Z0109MARLRPG](#) [MAC97A8-TA](#) [BT131W-800](#) [BT138S-800E](#) [BT137S-800E](#) [BT136S-600D](#) [BTA08-600TWRG](#)
[X0405MF-252](#) [MAC97A8-23-3L](#) [MCR100-8-23-3L](#) [BTA24-800B](#) [BT151-600R](#) [BT131](#) [BTA41-1200B](#) [MCR16](#) [MCR100-8](#) [MCR16](#)
[BT131-800D](#) [BT134-800E](#) [BT138-800E](#) [MCR100-8](#) [BTA12-800BWRG\(UMW\)](#) [BTA24-600BWRG\(UMW\)](#) [BTA24-800BWRG\(UMW\)](#)
[BTA12-600BWRG\(UMW\)](#) [BTA16-600CRG\(UMW\)](#) [BTA12-600CRG\(UMW\)](#) [BS61089B-8](#) [BT134W-600E](#) [BT134-600E](#) [JR0405S3](#)
[BCR12PM](#) [MAC97A6](#) [BTA24-800CRG\(UMW\)](#) [BTA16-600BRG\(UMW\)](#) [BTA16-800BWRG\(UMW\)](#) [Z0109-NN](#) [BTA41](#) [MCR100-8U](#)