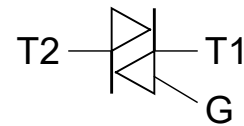
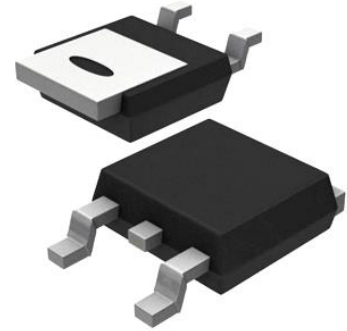


## isc Thyristors

### DESCRIPTION

- With TO-252( DPAK ) packaging
- Operating in 3 quadrants
- High commutation capability
- Minimum Lot-to-Lot variations for robust device performance and reliable operation



### APPLICATIONS

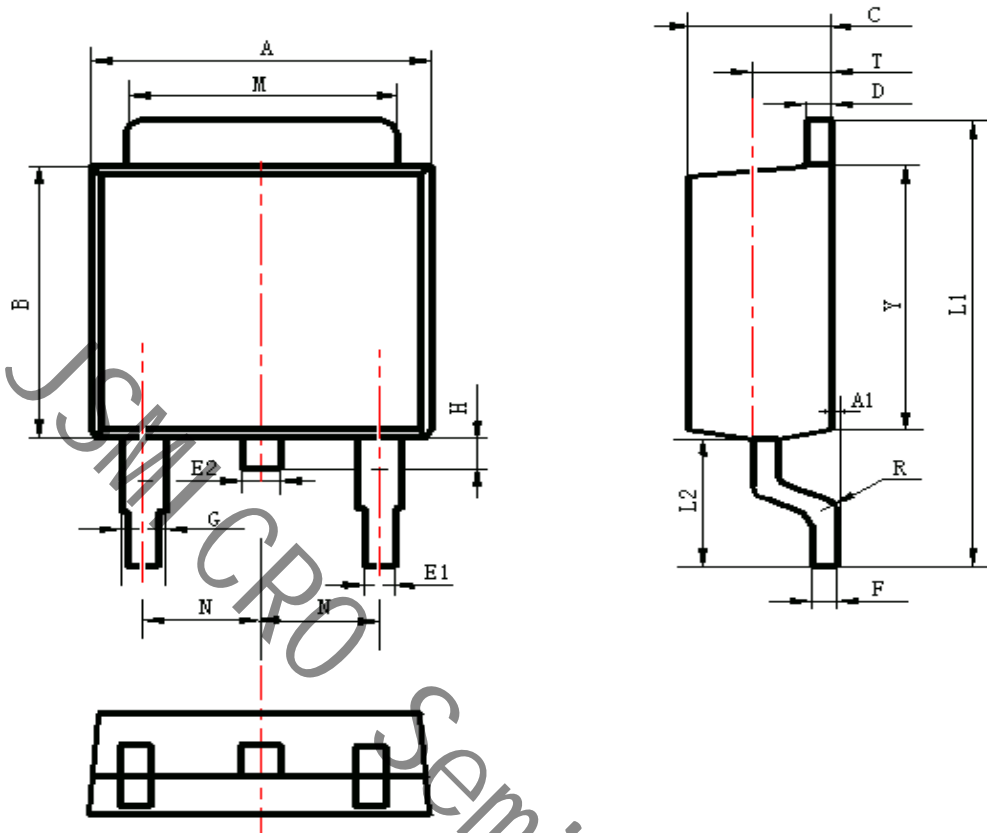
- Switching applications
- Phase control
- Motor control circuits
- Static switching on inductive or resistive load

### ABSOLUTE MAXIMUM RATINGS ( $T_a=25^{\circ}\text{C}$ )

SYMBOL	PARAMETER		MAX	UNIT
$V_{\text{DRM}}$	Repetitive peak off-state voltage		800	V
$V_{\text{RRM}}$	Repetitive peak reverse voltage		800	V
$I_{\text{T(RSM)}}$	Average on-state current		8	A
$I_{\text{TSM}}$	Surge non-repetitive on-state current	50HZ 60HZ	65 72	A
$P_{\text{G(AV)}}$	Average gate power dissipation ( over any 20 ms period )		0.5	W
$T_j$	Operating junction temperature		-40~125	$^{\circ}\text{C}$
$T_{\text{stg}}$	Storage temperature		-40~150	$^{\circ}\text{C}$

### ELECTRICAL CHARACTERISTICS ( $T_c=25^{\circ}\text{C}$ unless otherwise specified)

SYMBOL	PARAMETER	CONDITIONS		MIN	MAX	UNIT
$I_{\text{RRM}}$	Repetitive peak reverse current	$V_{\text{R}}=V_{\text{RRM}}$ Rated; $V_{\text{D}}=V_{\text{DRM}}$ Rated;	$T_j=125^{\circ}\text{C}$		0.5	mA
$I_{\text{DRM}}$	Repetitive peak off-state current					
$V_{\text{TM}}$	On-state voltage	$I_{\text{T}}=10\text{A}$			1.65	V
$I_{\text{GT}}$	Gate-trigger current	$V_{\text{D}}=12\text{V}; I_{\text{T}}=0.1\text{A};$	I		50	mA
			II		50	
			III		50	
$V_{\text{GT}}$	Gate-trigger voltage	$V_{\text{D}}=12\text{V}; I_{\text{T}}=0.1\text{A};$			1.5	V
$R_{\text{th (j-mb)}}$	Junction to mounting base	Half cycle			2.4	$^{\circ}\text{C/W}$

**Package Outline: TO-252**


Symbol	Dimensions In Millimeters		Dimensions In Inches	
	Min.	Max.	Min.	Max.
A	6.30	6.90	0.248	0.272
A1	0.00	0.16	0.000	0.006
B	5.70	6.30	0.224	0.248
C	2.10	2.50	0.083	0.098
D	0.30	0.70	0.012	0.028
E1	0.60	0.90	0.024	0.035
E2	0.70	1.00	0.028	0.039
F	0.30	0.60	0.012	0.024
G	0.70	1.20	0.028	0.047
L1	9.60	10.50	0.378	0.413
L2	2.70	3.10	0.106	0.122
H	0.40	1.00	0.016	0.039
M	5.10	5.50	0.201	0.217
N	2.09	2.49	0.082	0.098
R	0.30		0.012	
T	1.40	1.60	0.055	0.063
Y	5.10	6.30	0.201	0.248

## X-ON Electronics

Largest Supplier of Electrical and Electronic Components

*Click to view similar products for [Triacs](#) category:*

*Click to view products by [JSMSEMI](#) manufacturer:*

Other Similar products are found below :

[BT137-600-0Q](#) [OT415Q](#) [2N6075A](#) [NTE5688](#) [BTA2008W-800D,135](#) [D31410](#) [BT136-600,127](#) [BT137B-800,118](#) [BTA140-600,127](#)  
[BTA208-800B,127](#) [MAC97A6,116](#) [BTA420-800BT,127](#) [BTA201W-800E,115](#) [BTA212B-800B,118](#) [BTA41-800BRG](#) [TMA164P-L](#)  
[TMA166P-L](#) [TMA54S-L](#) [BT137-600E,127](#) [BTA140-800,127](#) [BTA30-600CW3G](#) [BTB16-600CW3G](#) [TMA84S-L](#) [Z0109MN,135](#) [T825T-6I](#)  
[T1635T-6I](#) [T1220T-6I](#) [NTE5638](#) [ACST1235-8FP](#) [BT134-600D,127](#) [BT134-600G,127](#) [BT136X-600E,127](#) [BT139X-800,127](#) [BTA204X-](#)  
[800C,127](#) [BTA208X-1000C0,127](#) [BTA216-600E,127](#) [BTA316X-600E/DG,12](#) [BTA316X-800C,127](#) [BT134-600D,127](#) [BT134-600E,127](#)  
[BT137X-600D,127](#) [BT139X-600E,127](#) [BTA08-600BW3G](#) [BTA201-800ER,126](#) [BTA208X-1000B,127](#) [BTA316X-800E,127](#) [NTE56008](#)  
[NTE56017](#) [NTE56018](#) [NTE56059](#)