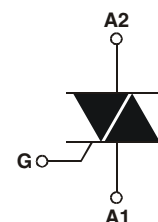
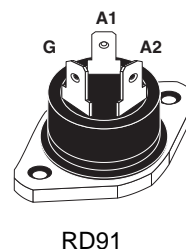


FEATURES

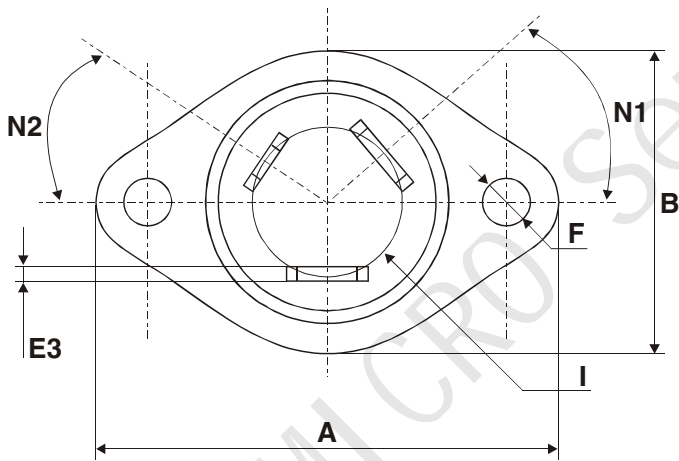
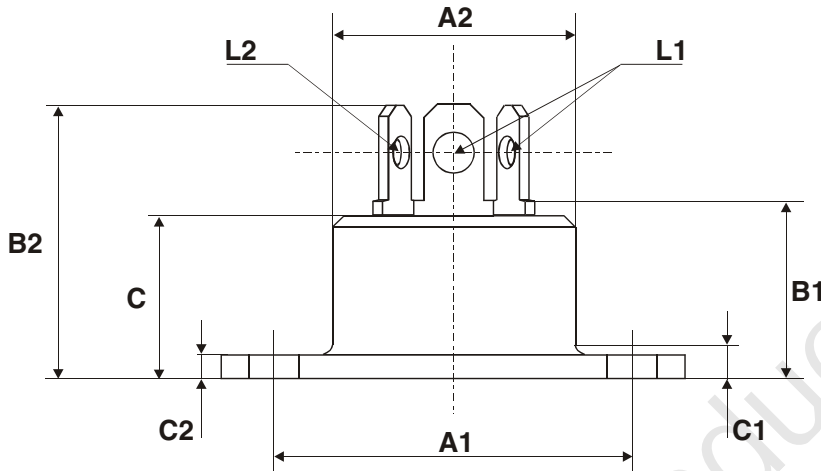
- Suitable for general purpose AC switching. They can be used as an ON/OFF function in applications such as static relays, heating regulation, Induction motor starting circuits.
- Minimum Lot-to-Lot variations for robust device performance and reliable operation


ABSOLUTE MAXIMUM RATINGS (Ta=25°C)

SYMBOL	PARAMETER	MIN	UNIT
V_{DRM}	Repetitive peak off-state voltage	800	V
V_{RRM}	Repetitive peak reverse voltage	800	V
$I_{T(RMS)}$	RMS on-state current (full sine wave) $T_j=95^\circ\text{C}$	40	A
I_{TSM}	Non-repetitive peak on-state current $t_p=20\text{ms}$	400	A
T_j	Operating junction temperature	-40~125	°C
T_{stg}	Storage temperature	-40~150	°C
$P_{G(AV)}$	Average gate power dissipation ($T_j=125^\circ\text{C}$)	1	W
$R_{th(j-c)}$	Thermal resistance, junction to case	0.9	°C/W

ELECTRICAL CHARACTERISTICS (Tc=25°C unless otherwise specified)

SYMBOL	PARAMETER	CONDITIONS	B	C	UNIT	
I_{RRM}	Repetitive peak reverse current	$V_R=V_{RRM}$, $V_R=V_{RRM}$, $T_j=125^\circ\text{C}$	0.01 2.0	0.01 2.0	mA	
I_{DRM}	Repetitive peak off-state current	$V_D=V_{DRM}$, $V_D=V_{DRM}$, $T_j=125^\circ\text{C}$	0.01 2.0	0.01 2.0	mA	
I_{GT}	Gate trigger current	$V_D=12\text{V}$; $R_L=100\ \Omega$	I	50	25	mA
			II	50	25	
			III	50	25	
			IV	100	50	
I_H	Holding current	$I_{GT}=0.5\text{A}$, Gate Open	60	35	mA	
V_{GT}	Gate trigger voltage all quadrant	$V_D=12\text{V}$; $R_L=100\ \Omega$	1.5		V	
V_{TM}	On-state voltage	$I_T=60\text{A}$; $t_p=380\ \mu\text{s}$	1.55		V	

TO-220AB PACKAGE OUTLINE DIMENSIONS


REF.	DIMENSIONS			
	Millimeters		Inches	
	Min.	Max.	Min.	Max.
A		40.00		1.575
A1	29.90	30.30	1.177	1.193
A2		22.00		0.867
B		27.00		1.063
B1	13.50	16.50	0.531	0.650
B2		24.00		0.945
C		14.00		0.551
C1		3.50		0.138
C2	1.95	3.00	0.077	0.118
E3	0.70	0.90	0.027	0.035
F	4.00	4.50	0.157	0.177
I	11.20	13.60	0.441	0.535
L1	3.10	3.50	0.122	0.138
L2	1.70	1.90	0.067	0.075
N1	33°	43°	33°	43°
N2	28°	38°	28°	38°

X-ON Electronics

Largest Supplier of Electrical and Electronic Components

Click to view similar products for [Triacs](#) category:

Click to view products by [JSMSEMI](#) manufacturer:

Other Similar products are found below :

[BT137-600-0Q](#) [2N6075A](#) [NTE5688](#) [D31410](#) [ACS102-5T1](#) [ACS102-5TA](#) [MAC97A4G](#) [Z0107MAG](#) [Z0107MARL1G](#) [Z0109MARLRPG](#)
[BTA316-800ET,127](#) [BTA316-800CTQ](#) [ACTT8X-800CTNQ](#) [MCR22-6G](#) [BTA16-800B\(MS\)](#) [TYN1025RG-JSM](#) [BT138-600D](#) [BTA26-800BRG](#) [BT138-600E](#) [BTA24-600CWRG](#) [BTA16-800CWRG](#) [BT138-600E](#) [BTA08-800CW](#) [BTB24-800CW](#) [BTA16-800CW](#) [BTA16-600CW](#) [BT169](#) [MCR100-6U](#) [FT10050-12P](#) [BT151S-600R](#) [BT136-800E](#) [BT136S](#) [PCR606J](#) [CT404D-800S](#) [JST24A-800CW](#) [JST60IS-1600BW](#) [TYN810RG-JSM](#) [BT139B-600E-JSM](#) [TYN812RG-JSM](#) [BT152-800R](#) [BTB16-800BRG-JSM](#) [BTA20-800CRG TO-220](#) [BTA16-800BRG](#) [BTW69-1200RG](#) [TYN825RG-JSM](#) [BTA12-600CRG](#) [BT136-600E](#) [BTA12-600BRG](#) [BT139-600E](#) [BTA24-800CRG TO-220](#)