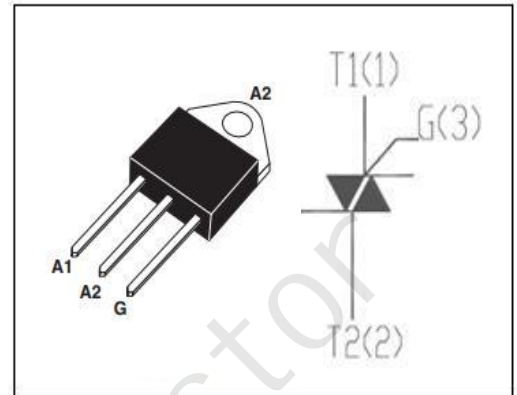


DESCRIPTION

- With TO-3P packaging
- Operating in 4 quadrants
- High commutation capability
- Minimum Lot-to-Lot variations for robust device performance and reliable operation

APPLICATIONS

- Solid state relays; heating and cooking appliances
- Switching applications

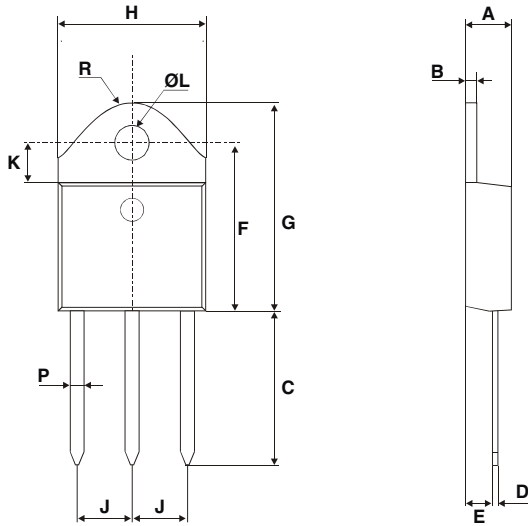


ABSOLUTE MAXIMUM RATINGS(T_a=25°C)

SYMBOL	PARAMETER		MAX	UNIT
V _{DRM}	Repetitive peak off-state voltage		600	V
V _{RRM}	Repetitive peak reverse voltage		600	V
I _{T(RSM)}	Average on-state current @T _c =80°C		40	A
I _{TSM}	Surge non-repetitive on-state current	50HZ 60HZ	400 420	A
P _{G(AV)}	Average gate power dissipation (over any 20 ms period)		1.0	W
T _j	Operating junction temperature		-40~125	°C
T _{stg}	Storage temperature		-40~150	°C

ELECTRICAL CHARACTERISTICS (T_c=25°C unless otherwise specified)

SYMBOL	PARAMETER	CONDITIONS		MIN	MAX	UNIT
I _{RRM}	Repetitive peak reverse current	V _R =V _{RRM} Rated; V _D =V _{DRM} Rated;	T _j =25°C		0.005	mA
I _{DRM}	Repetitive peak off-state current		T _j =125°C			
V _{TM}	On-state voltage	I _T =60A			1.55	V
I _{GT}	Gate-trigger current	V _D =12V;RG=33 Ω	I		50	mA
			II		50	
			III		50	
			IV		100	
V _{GT}	Gate-trigger voltage	V _D =12V;RG=33 Ω			1.3	V
R _{th(j-c)}	Junction to case	Half cycle			0.9	°C/W

TO-3P (Insulated and non insulated) Package Mechanical Data


REF.	DIMENSIONS					
	Millimeters			Inches		
	Min.	Typ.	Max.	Min.	Typ.	Max.
A	4.4		4.6	0.173		0.181
B	1.45		1.55	0.057		0.061
C	14.35		15.60	0.565		0.614
D	0.5		0.7	0.020		0.028
E	2.7		2.9	0.106		0.114
F	15.8		16.5	0.622		0.650
G	20.4		21.1	0.815		0.831
H	15.1		15.5	0.594		0.610
J	5.4		5.65	0.213		0.222
K	3.4		3.65	0.134		0.144
ØL	4.08		4.17	0.161		0.164
P	1.20		1.40	0.047		0.055
R		4.60			0.181	

X-ON Electronics

Largest Supplier of Electrical and Electronic Components

Click to view similar products for [Triacs](#) category:

Click to view products by [JSMSEMI](#) manufacturer:

Other Similar products are found below :

[BT137-600-0Q](#) [2N6075A](#) [NTE5688](#) [D31410](#) [ACS102-5T1](#) [ACS102-5TA](#) [MAC97A4G](#) [Z0107MAG](#) [Z0107MARL1G](#) [Z0109MARLRPG](#)
[BTA316-800ET,127](#) [BTA316-800CTQ](#) [ACTT8X-800CTNQ](#) [MCR22-6G](#) [BTA16-800B\(MS\)](#) [TYN1025RG-JSM](#) [BT138-600D](#) [BTA26-800BRG](#) [BT138-600E](#) [BTA24-600CWRG](#) [BTA16-800CWRG](#) [BT138-600E](#) [BTA08-800CW](#) [BTB24-800CW](#) [BTA16-800CW](#) [BTA16-600CW](#) [BT169](#) [MCR100-6U](#) [FT10050-12P](#) [BT151S-600R](#) [BT136-800E](#) [BT136S](#) [PCR606J](#) [CT404D-800S](#) [JST24A-800CW](#) [JST60IS-1600BW](#) [TYN810RG-JSM](#) [BT139B-600E-JSM](#) [TYN812RG-JSM](#) [BT152-800R](#) [BTB16-800BRG-JSM](#) [BTA20-800CRG TO-220](#) [BTA16-800BRG](#) [BTW69-1200RG](#) [TYN825RG-JSM](#) [BTA12-600CRG](#) [BT136-600E](#) [BTA12-600BRG](#) [BT139-600E](#) [BTA24-800CRG TO-220](#)