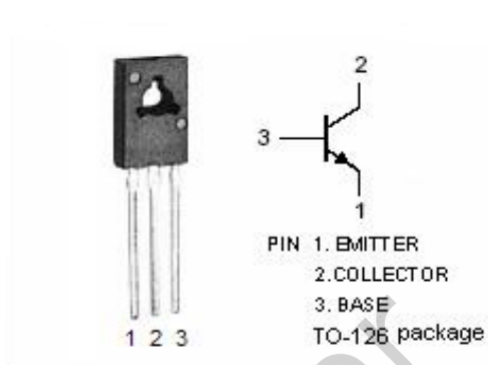


**DESCRIPTION**

- Collector–Emitter Sustaining Voltage–  
:  $V_{CEO(SUS)} = 300\text{ V(Min)}$
- DC Current Gain–  
:  $h_{FE} = 100(\text{Min}) @ I_C = 50\text{mA}$
- Low Collector Saturation Voltage–  
:  $V_{CE(sat)} = 1.0\text{V(Max.)} @ I_C = 50\text{mA}$
- Complement to the PNP MJE350


**APPLICATIONS**

- Designed for high voltage and general purpose applications.

**ABSOLUTE MAXIMUM RATINGS( $T_a=25^\circ\text{C}$ )**

| SYMBOL    | PARAMETER   | VALUE   | UNIT             |
|-----------|---|---------|------------------|
| $V_{CBO}$ | Collector-Base Voltage                                | 300     | V                |
| $V_{CEO}$ | Collector-Emitter Voltage                             | 300     | V                |
| $V_{EBO}$ | Emitter-Base Voltage                                  | 3       | V                |
| $I_C$     | Collector Current-Continuous                          | 0.5     | A                |
| $P_C$     | Collector Power Dissipation<br>$T_C=25^\circ\text{C}$ | 20      | W                |
| $T_j$     | Junction Temperature                                  | 150     | $^\circ\text{C}$ |
| $T_{stg}$ | Storage Temperature Range                             | -65~150 | $^\circ\text{C}$ |

**THERMAL CHARACTERISTICS**

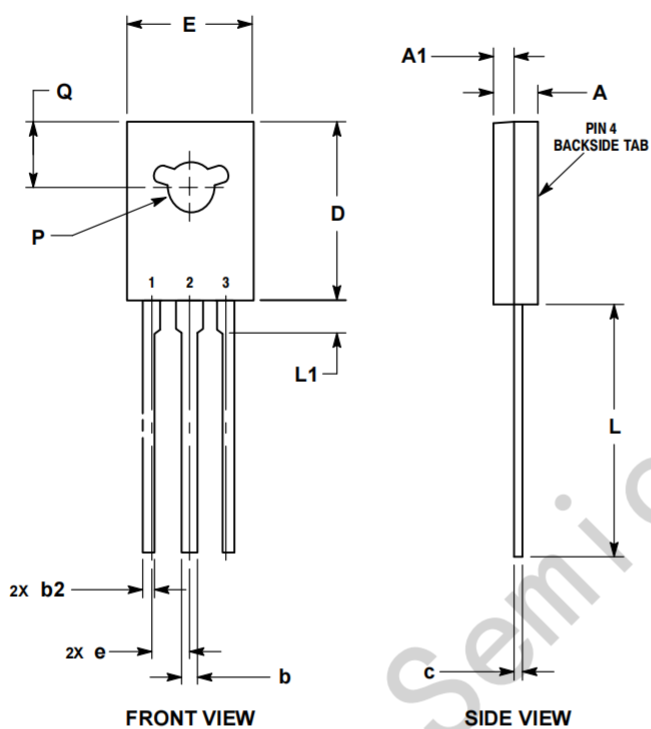
| SYMBOL        | PARAMETER                            | MAX  | UNIT               |
|---------------|--------------------------------------|------|--------------------|
| $R_{th\ j-c}$ | Thermal Resistance, Junction to Case | 6.25 | $^\circ\text{C/W}$ |

**ELECTRICAL CHARACTERISTICS**
 $T_C = 25^\circ\text{C}$  unless otherwise specified

| SYMBOL         | PARAMETER                            | CONDITIONS                               | MIN | MAX | UNIT |
|----------------|--------------------------------------|--|-----|-----|------|
| $V_{CEO(SUS)}$ | Collector-Emitter Sustaining Voltage | $I_C = 1.0\text{mA}; I_B = 0$            | 300 |     | V    |
| $V_{(BR)CBO}$  | Collector-Base Breakdown Voltage     | $I_C = 1.0\text{mA}; I_E = 0$            | 300 |     | V    |
| $V_{(BR)EBO}$  | Emitter-Base Breakdown Voltage       | $I_E = 1.0\text{mA}; I_C = 0$            | 3   |     | V    |
| $V_{CE(sat)}$  | Collector-Emitter Saturation Voltage | $I_C = 50\text{mA}; I_B = 5\text{mA}$    |     | 1.0 | V    |
| $I_{CBO}$      | Collector Cutoff Current             | $V_{CB} = 300\text{V}; I_E = 0$          |     | 0.1 | mA   |
| $I_{EBO}$      | Emitter Cutoff Current               | $V_{EB} = 3\text{V}; I_C = 0$            |     | 0.1 | mA   |
| $h_{FE}$       | DC Current Gain                      | $I_C = 50\text{mA}; V_{CE} = 10\text{V}$ | 100 | 240 |      |

## Package Information

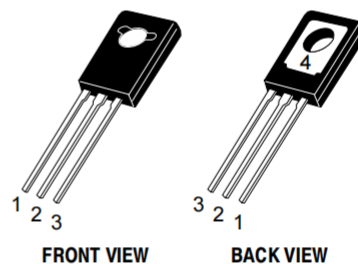
TO-126



- NOTES:
1. DIMENSIONING AND TOLERANCING PER ASME Y14.5M, 1994.
  2. CONTROLLING DIMENSION: MILLIMETERS.
  3. NUMBER AND SHAPE OF LUGS OPTIONAL.

| DIM | MILLIMETERS |       |
|-----|-------------|-------|
|     | MIN         | MAX   |
| A   | 2.40        | 3.00  |
| A1  | 1.00        | 1.50  |
| b   | 0.60        | 0.90  |
| b2  | 0.51        | 0.88  |
| c   | 0.39        | 0.63  |
| D   | 10.60       | 11.10 |
| E   | 7.40        | 7.80  |
| e   | 2.04        | 2.54  |
| L   | 14.50       | 16.63 |
| L1  | 1.27        | 2.54  |
| P   | 2.90        | 3.30  |
| Q   | 3.80        | 4.20  |

STYLE 1:  
 PIN 1. EMITTER  
 2, 4. COLLECTOR  
 3. BASE



## X-ON Electronics

Largest Supplier of Electrical and Electronic Components

*Click to view similar products for [Bipolar Transistors - BJT category](#):*

*Click to view products by [JSMSEMI manufacturer](#):*

Other Similar products are found below :

[BC559C](#) [MCH4017-TL-H](#) [MMBT-2369-TR](#) [BC546/116](#) [NJVMJD148T4G](#) [NTE16](#) [NTE195A](#) [IMX9T110](#) [2N4401-A](#) [2N6728](#) [2SA1419T-TD-H](#) [2SB1204S-TL-E](#) [2SC5488A-TL-H](#) [FMC5AT148](#) [2N2369ADCSM](#) [2N2907A](#) [2N3904-NS](#) [2N5769](#) [2SC4618TLN](#) [CPH6501-TL-E](#) [US6T6TR](#) [BAX18/A52R](#) [BC556/112](#) [IMZ2AT108](#) [MMST8098T146](#) [MCH6102-TL-E](#) [BC846B-13-F](#) [2N3879](#) [30A02MH-TL-E](#) [NTE13](#) [NTE282](#) [NTE323](#) [NTE350](#) [NTE81](#) [JANTX2N2920L](#) [JANSR2N2907AUB](#) [CMLT3946EG TR](#) [SNSS40600CF8T1G](#) [CMLT3906EG TR](#) [GRP-DATA-JANS2N2907AUB](#) [GRP-DATA-JANS2N2222AUA](#) [MMDT3946FL3-7](#) [2N4240](#) [JANS2N3019](#) [MSB30KH-13](#) [2N2221AUB](#) [2SD1815T-TL-E](#) [2N6678](#) [2N2907Ae4](#) [JAN2N3507](#)